

Shannon Wall

CW1292 | 1.0

GENERATION LIGHTING WALL

GENERAL PRODUCT INFORMATION:

These fixtures are intended to be installed utilizing NEC compliant junction boxes.

This product is safety listed for damp locations.

Incandescent version may be dimmed with a standard incandescent dimmer. LED version may be dimmed with a LED dimmer. Consult lamp manufacturer for additional information.

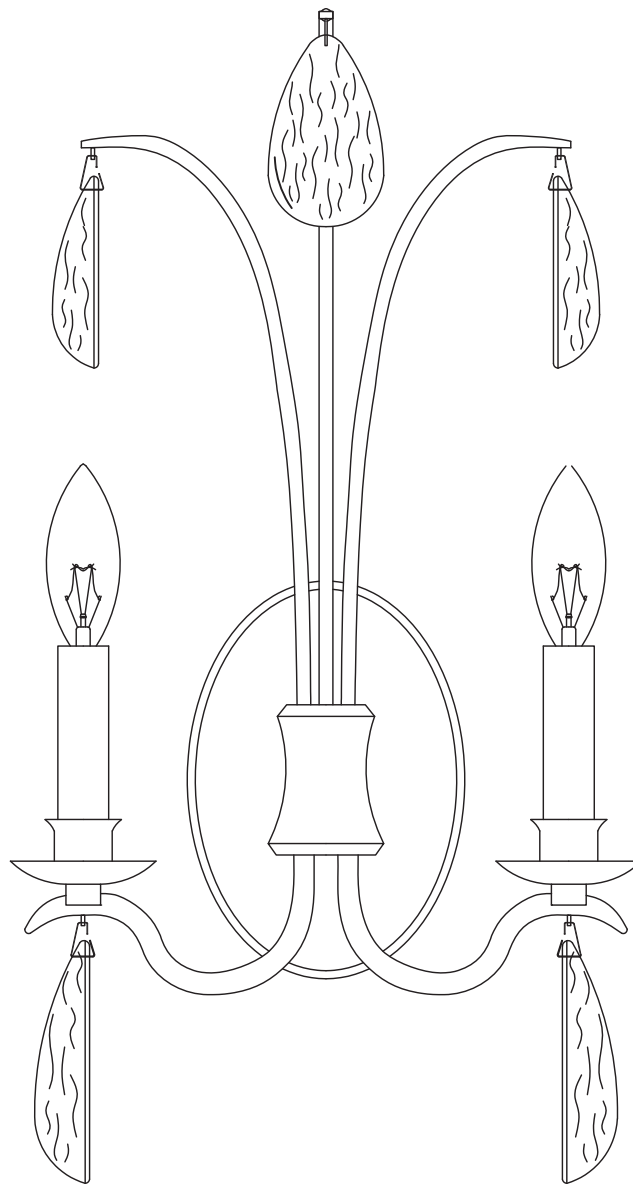
This instruction shows a typical installation.

CAUTION - RISK OF FIRE

This product must be installed in accordance with the applicable installation code by a person familiar with the construction and operation of the product and the hazards involved.

Use minimum 90°C supply conductors.

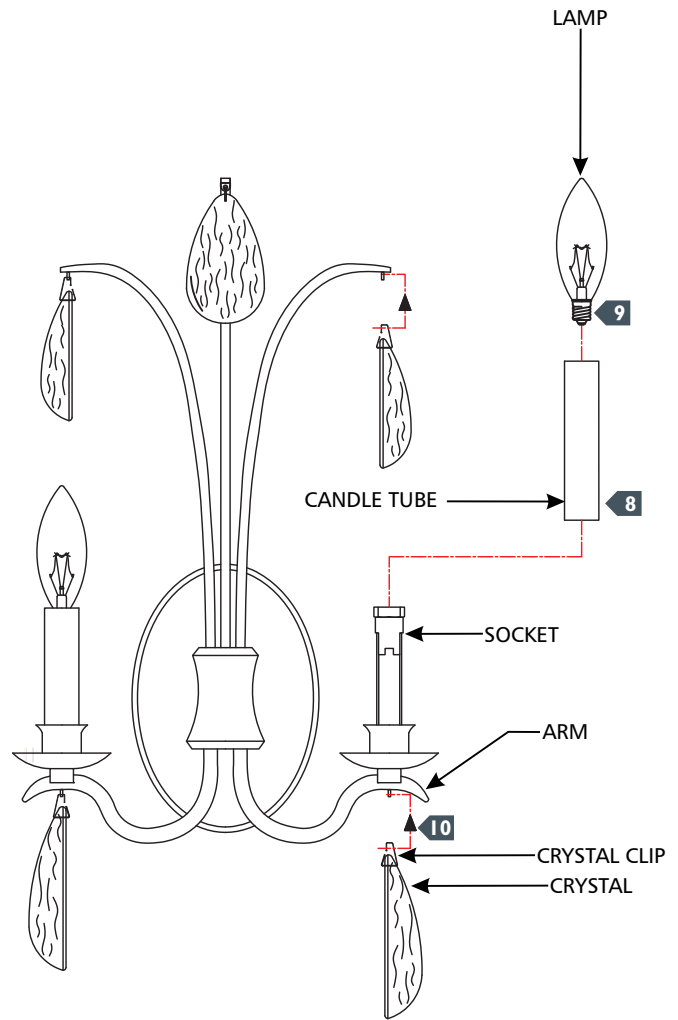
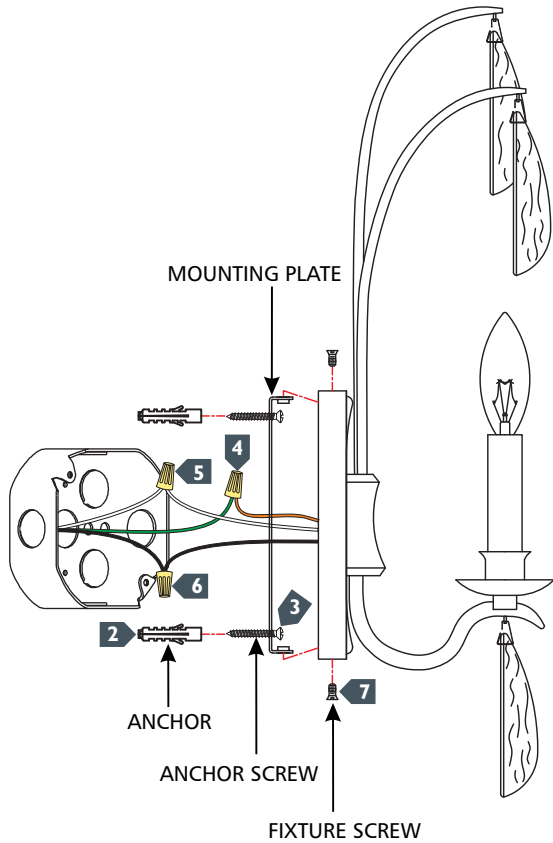
SAVE THESE INSTRUCTIONS!



GENERATION LIGHTING
7400 Linder Ave., Skokie, IL 60077
T 847.410.4400 | F 847.410.4500
www.generationlighting.com

Install the Fixture

IA



- 1 Place the mounting plate against the wall mounting location and mark the anchor locations through the holes on the mounting plate. Remove the mounting plate from the wall.
- 2 Drill appropriate sized holes at the marked locations and install the anchors.
- 3 Secure the mounting plate to the wall by screwing the anchor screws through the anchors.
- 4 Connect the fixture to a suitable ground in accordance to local electrical codes.
- 5 Connect the white fixture wire (square and/or rigid) to the neutral power line wire with a wire nut.
- 6 Connect the black fixture wire (round and/or smooth) to the hot power line wire with a wire nut.
- 7 Neatly place all the wires and wire nuts into the junction box, place the fixture onto the mounting plate and secure it in place with the fixture screws.
- 8 Install the candle tubes over the sockets.
- 9 Screw the lamps into the sockets. Refer to the label on the lamp socket for Max Wattage Information.
- 10 Using the crystal clips, secure the crystals onto the ends of the fixture arms.