



# Ensemble™ Medley®

## 60" x 30" AFD Bath/Shower w/Backer Boards

### 71370128



#### Features

- Alcove installation
- 18-3/4" apron
- Solid Vikrell material
- Right drain
- Tongue-and-groove walls with snap-together installation
- High-gloss walls
- No caulk required
- Molded-in shelves
- Dry-Block™ seal and channeled water containment system
- 3" drain-to-floor clearance for above-floor drain installation
- Aging in Place backerboards

#### Included Components

Product consists of:

- 71374106 60" x 30" Bath/Shower Wall Set with Backer Boards
- 71171122 30" AFD Bath



#### Codes/Standards



CSA B45.5/IAPMO Z124  
ASTM E162  
ASTM E662  
Greenguard UL 2818 - Gold  
HUD, UM Bulletin 73

#### Warranty – Bathing Fixtures (and) Kitchen and Utility Sinks Made of Solid Vikrell® Material

See website for detailed warranty information.

#### Available Colors/Finishes

*Color tiles intended for reference only.*

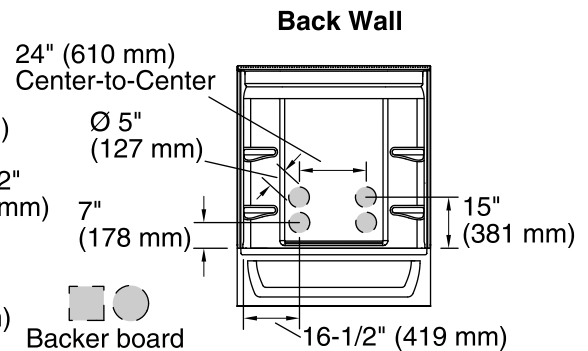
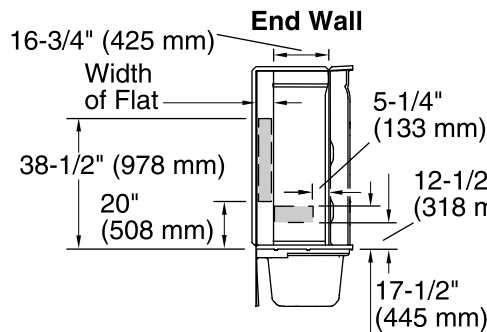
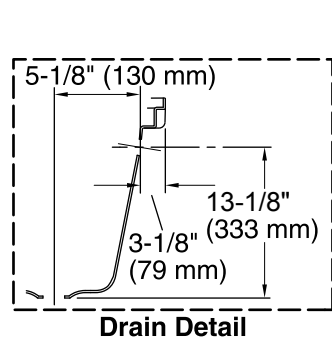
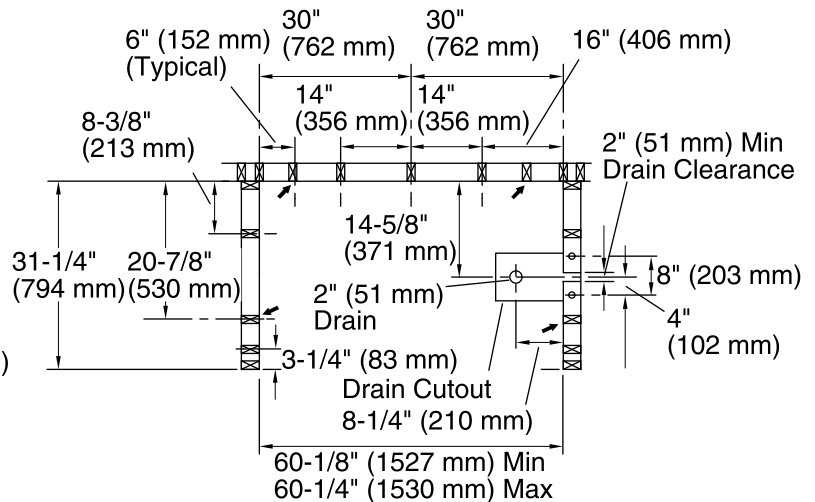
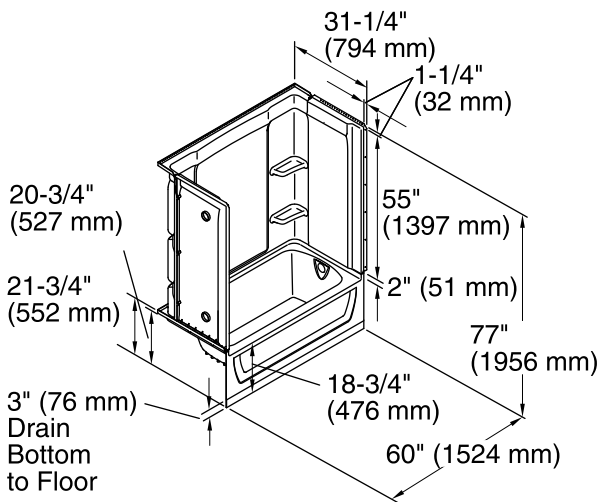
Color	Code	Description
	0	White
	96	KOHLER Biscuit

1-800-STERLING (1-800-783-7546)

Kohler Co. reserves the right to make revisions without notice to product specifications.

For the most current Specification Sheet, go to [www.sterlingplumbing.com](http://www.sterlingplumbing.com).

4-26-2019 00:34 - US



### Technical Information

All product dimensions are nominal.

- Installation: Three-wall alcove  
 Drain location: Right  
 Basin area, bottom: 45" x 20" (1143 mm x 508 mm)  
 Basin area, top: 53" x 23" (1346 mm x 584 mm)  
 Water depth: 11-1/4" (286 mm)  
 Water capacity: 44 gal (166.6 L)  
 Minimum flat for door: 2-3/4" (70 mm)  
 Maximum door height: 56-3/4" (1441 mm)  
 Maximum door width: 57-11/16" (1465 mm)

### Notes

- Install this product according to the installation instructions.  
 Studs should be positioned roughly as shown.  
 Double studding is recommended for pivot shower door installations.  
 Attach grab bars at the specified backerboard locations only.