



Finesse™

Framed Pivot Shower Door

6505-39

Features

- Framed
- 1/8" glass
- Exterior towel bar
- Out-of-plumb adjustability
- Tempered glass ensures maximum safety and durability
- Anodized aluminum prevents rusting and corrosion

Installation

- Not for use in hospitality.
- For residential use only.

Included Components

Additional Components:
Hardware kit



Codes/Standards

ANSI Z97.1
CPSC 16CFR 1201

STERLING® Warranty - Bath and Shower Doors

See website for detailed warranty information.

Available Colors/Finishes

Color tiles intended for reference only.

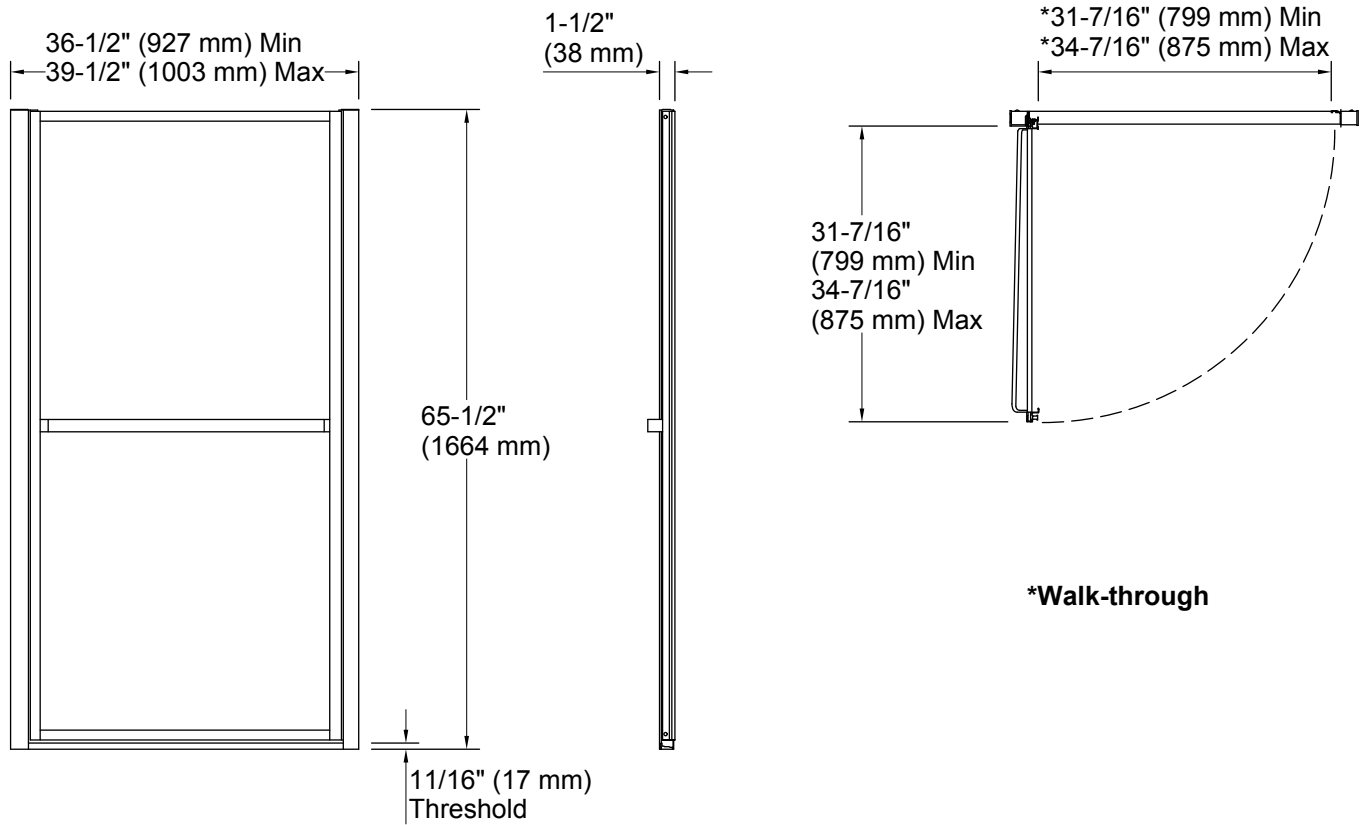
Color	Code	Description
-------	------	-------------

	DR	
--	----	--

Available Glass Options

Code	Description
------	-------------

	Rain
--	------



Technical Information

- All product dimensions are nominal.
- Installation type: For shower base installation
- Opening Width - Min: 36-1/2" (927 mm)
- Opening Width - Max: 39-1/2" (1003 mm)
- Walk-through - Min: 31-7/16" (799 mm)
- Walk-through - Max: 34-7/16" (875 mm)
- Glass thickness: 1/8" (3 mm)

Notes

- Install this product according to the installation guide.
- The vertical opening should be a minimum of 66" (1676 mm) to allow for installation clearance.