



Middleton®

Top-mount Kitchen Sink

14633-4F

Features

- Top-mount
- Four faucet holes
- 6"-deep double bowls
- 3-5/8" drain opening
- Stainless steel with luster finish
- SilentShield technology
- 20-gauge stainless steel
- Lifetime limited warranty
- ADA-adaptable when installed per the requirements of the Accessibility Guidelines, Section 606 Sinks, of the Act



Recommended Products/Accessories

7400 Sink Strainer

Included Components

Product consists of:

1150001 Installation Clips

ADA

Codes/Standards

ASME A112.19.3/CSA B45.4

ADA

ICC/ANSI A117.1

STERLING® Warranty - Stainless Steel Sinks

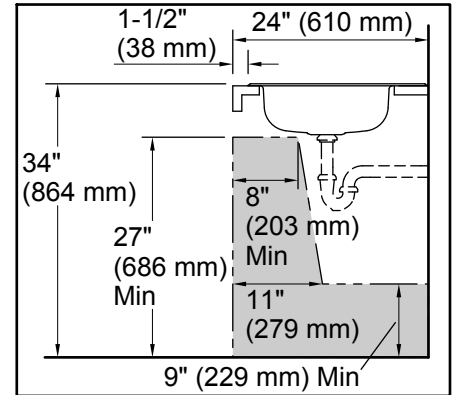
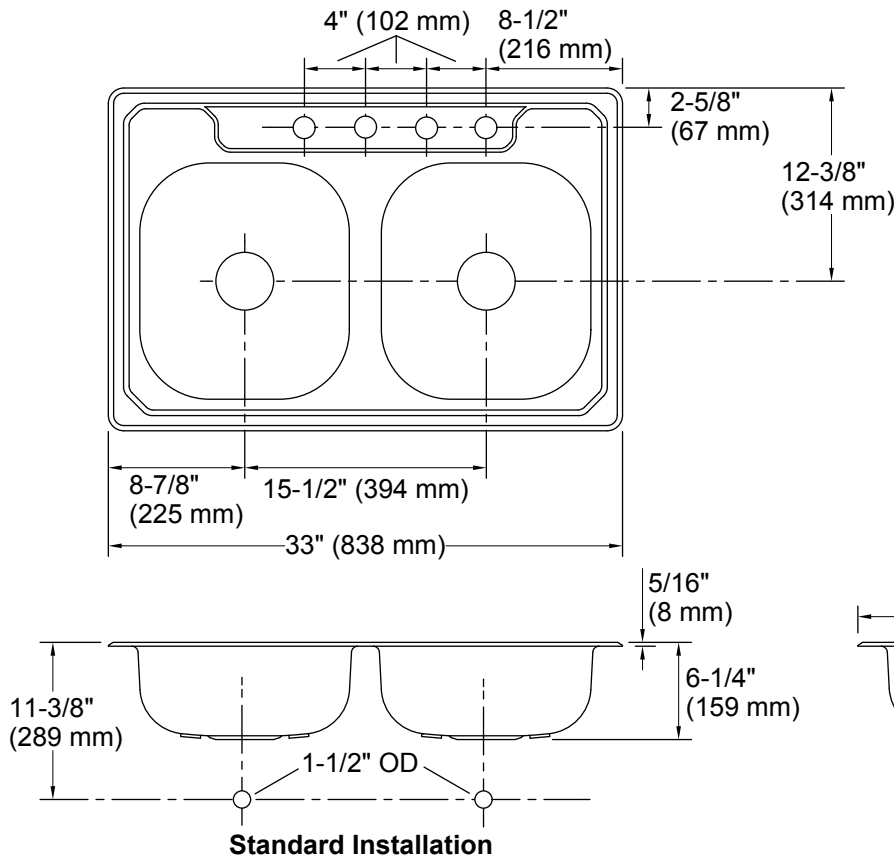
See website for detailed warranty information.

1-800-STERLING (1-800-783-7546)

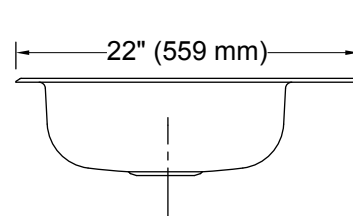
Kohler Co. reserves the right to make revisions without notice to product specifications.

For the most current Specification Sheet, go to www.sterlingplumbing.com.

4-25-2019 18:33 - US



Recommended ADA Installation



Technical Information

All product dimensions are nominal.

Bowl configuration: Double equal

Installation: Top-mount

Cutout: Top-mount, 32-1/2" x 21-1/2" (826 mm x 546 mm) with 11/16" (18 mm) radius corners

Bowl area (Left): Length: 13-3/4" (349 mm)
Width: 15-1/2" (394 mm)
Bowl depth: 6" (152 mm)
Water depth: 6" (152 mm)

Bowl area (Right): Length: 13-3/4" (349 mm)
Width: 15-1/2" (394 mm)
Bowl depth: 6" (152 mm)
Water depth: 6" (152 mm)

Number of deck holes: 4

Faucet hole spacing: 4" (102 mm)

Faucet hole(s): 1-7/16" (37 mm)

Drain hole: 3-5/8" (92 mm)

Notes

Install this product according to the installation instructions.

Measure your actual product for roughing-in details.

ADA compliant when installed to the specific requirements of these regulations.