

# Installation and Care Guide

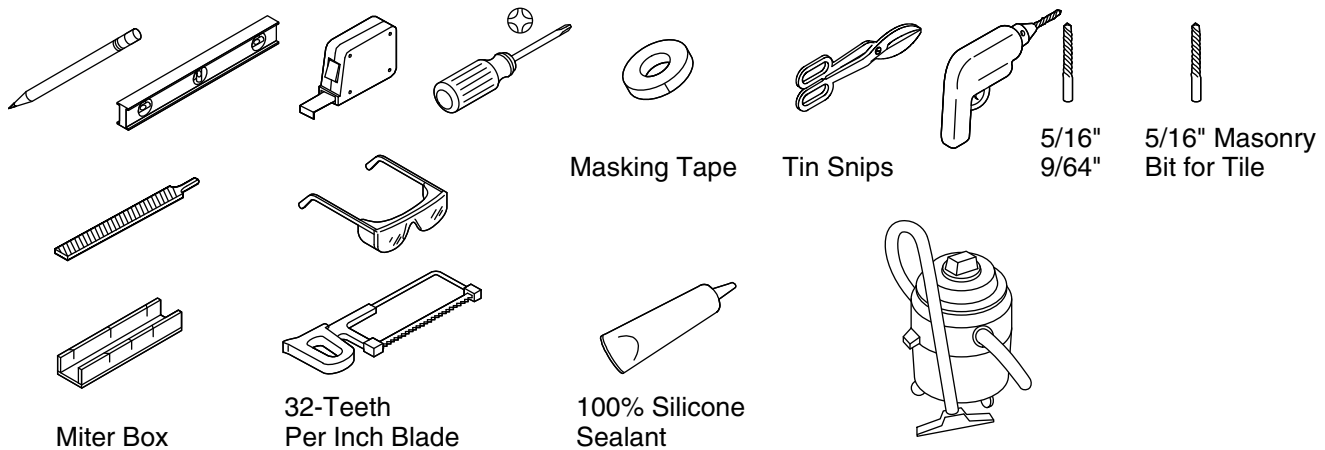
## Pivot Shower Door

Français, page "Français-1"  
Español, página "Español-1"



1331204-2-B

## Tools and Materials



## Before You Begin



**WARNING: Risk of serious injury.** Damage before installation can result in glass shattering. Inspect the glass and all parts for damage before installation.



**WARNING: Risk of serious injury.** Improper installation can result in glass shattering. Follow all installation instructions.



**WARNING: Risk of serious injury.** Do not cut tempered glass. Tempered glass will shatter if cut.



**WARNING: Risk of serious injury.** Shower door and side panels can shatter. Regularly inspect the glass and all parts for damage, missing, or loose parts.



**WARNING: Risk of serious injury.** Always wear safety glasses while cutting and drilling.



**WARNING: Risk of personal injury.** Do not cut the tempered glass. If the glass is cut, the glass will shatter and may cause personal injury.



**WARNING: Risk of personal injury or product damage.** Unframed tempered glass should not contact hard surfaces or it may shatter. Do not touch the edge of the tempered glass panel with the tools or any hard objects. Do not set the unframed tempered glass directly on the floor.

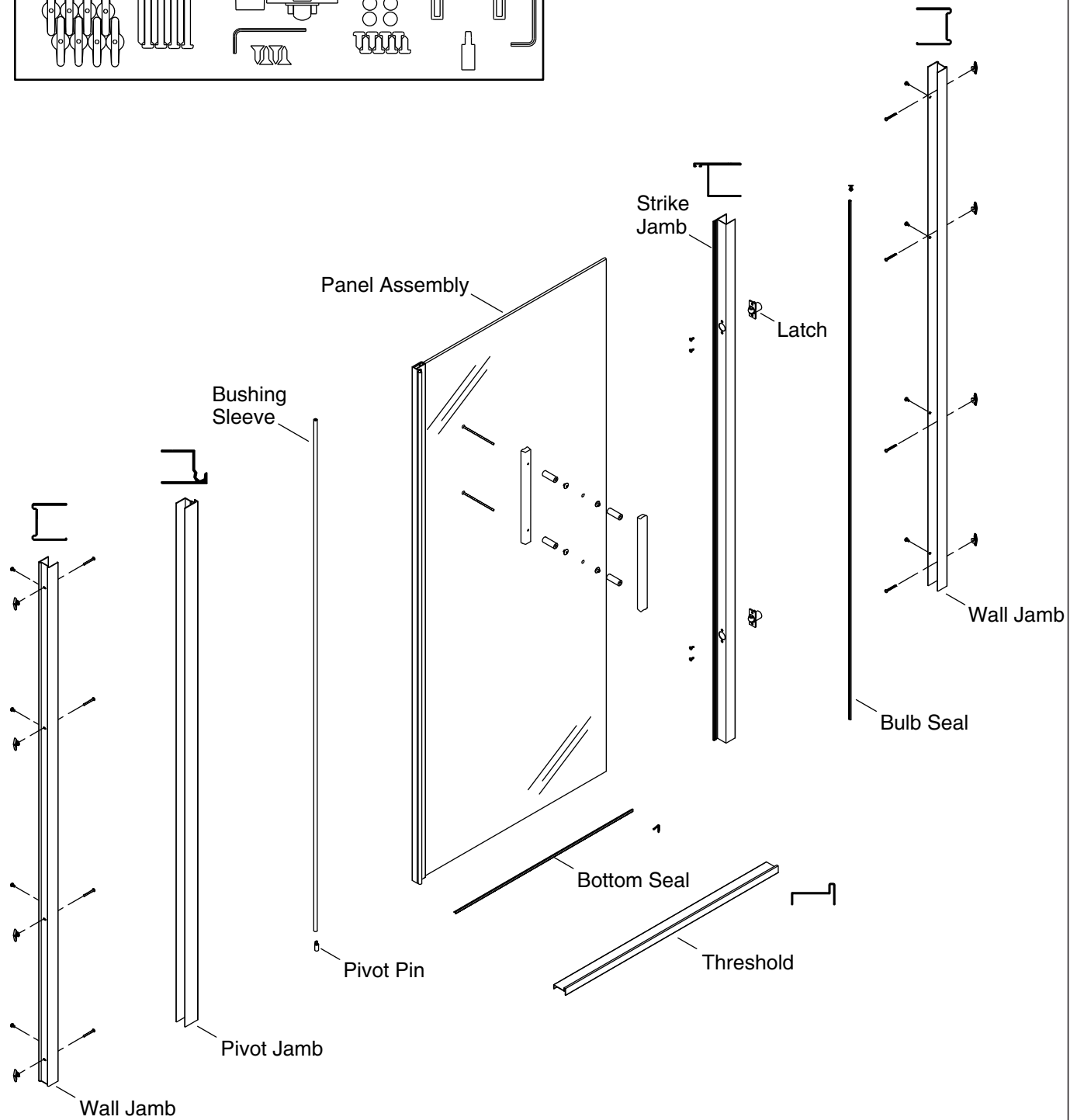
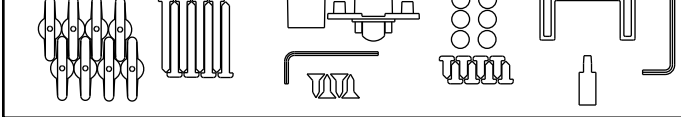
**IMPORTANT!** This door is designed to accommodate walls that are less than 3/8" (10 mm) out of plumb. Verify the area the door will be attached to is within 3/8" (10 mm) or better of plumb. The door may not function properly if the wall is more than 3/8" (10 mm) out of plumb.

**IMPORTANT!** Leave this manual for the end user. Read these instructions before installing or using this product.

- Your new Sterling door can be installed with the door opening to either the right or left. Install the door with the pivot side away from the showerhead for best results.
- Before starting the installation, lay out and identify all of the parts. Inspect for damage.
- During the installation, protect the floor of the shower with a drop cloth to avoid damage.
- The shower base should be installed and prepared at this time, including finished wall materials.
- Closely follow the instructions pertaining to the sealant application on the door. Sealing areas other than those shown may cause leaking.
- Two people should perform this installation.

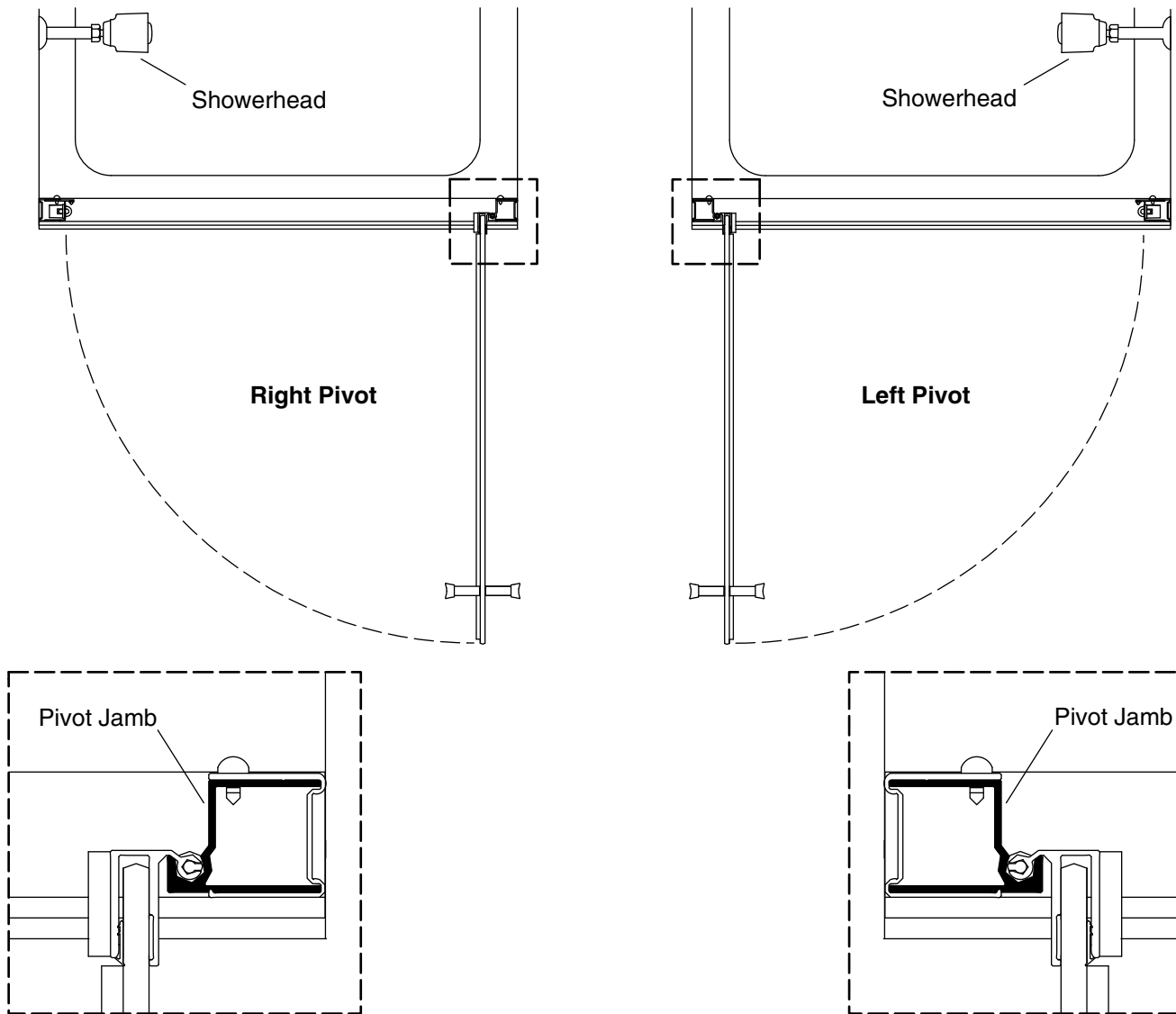
1319191

Hardware Pack



### Parts Identification

## Top View

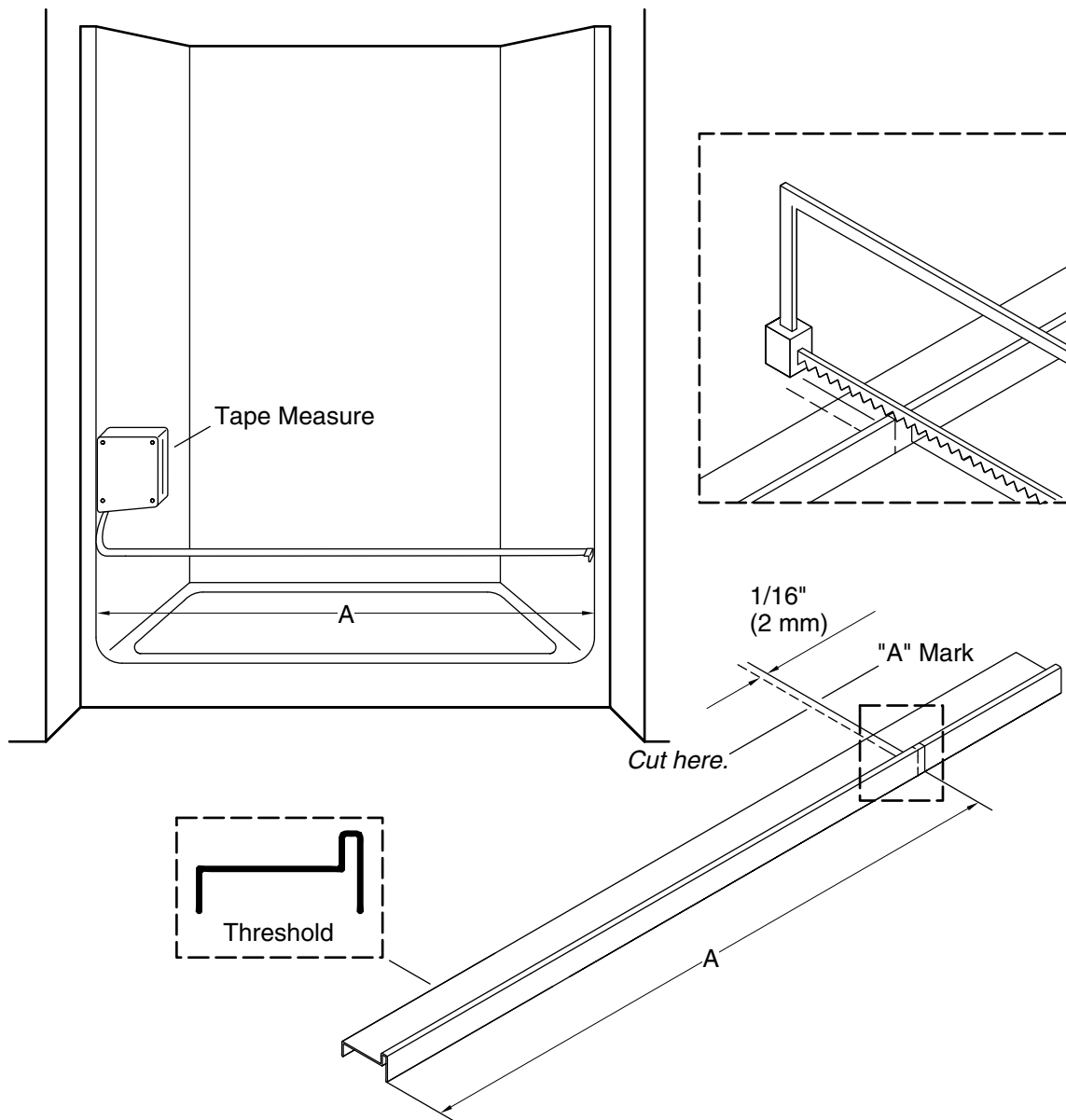


### 1. Determine the Door Configuration

**IMPORTANT!** Install the pivot jamb of the door on the side opposite the showerhead.

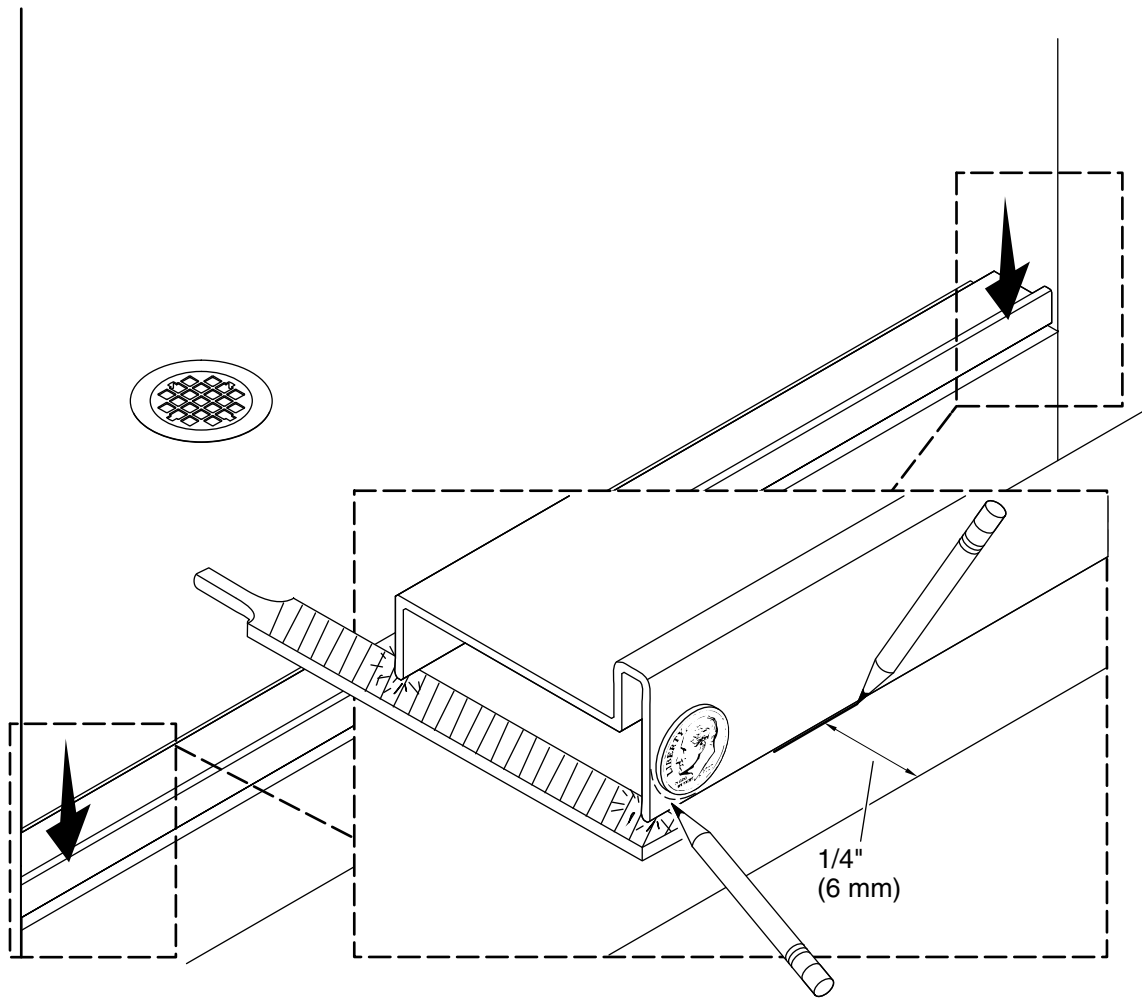
**IMPORTANT!** Left side pivot configuration is shown in installation steps unless otherwise indicated.

- Determine whether the door will be installed in a right pivot or left pivot configuration.



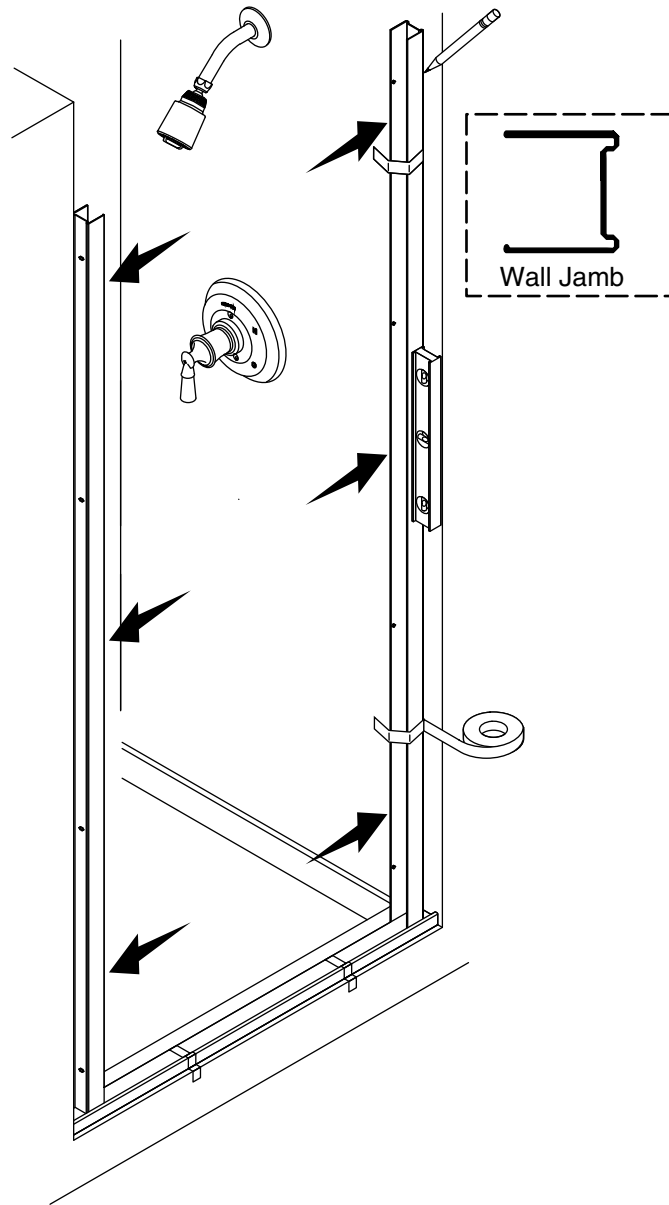
## 2. Measure and Cut the Threshold

- Cover the drain with tape to prevent the loss of small parts.
- Use a drop cloth to protect the shower surface.
- Measure distance "A" between the shower walls and mark it on the threshold.
- Measure 1/16" (2 mm) or the width of a saw blade from "A" and make a second mark on the threshold as shown.
- Cut the threshold at the second mark and file any rough edges.



### 3. Position the Threshold

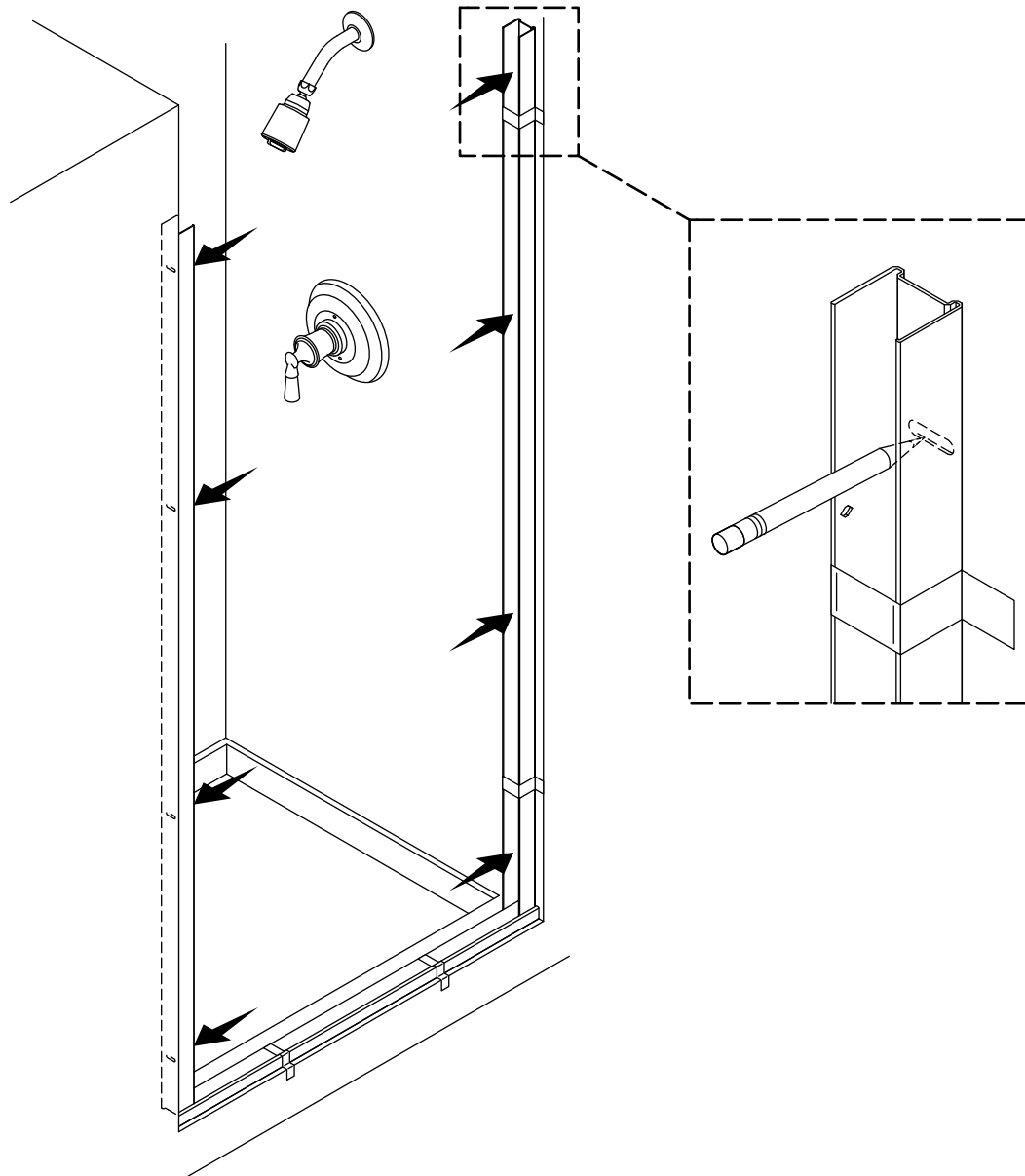
- If needed, file the ends of the threshold to fit against the shower wall. Use a coin to match and transfer the corner radius.
- Position the threshold 1/4" (6 mm) from the outside edge of the shower ledge along its entire length. Mark the location.
- Tape the threshold in place.



#### 4. Position the Wall Jambs

**IMPORTANT!** The wall jambs must fit tightly against the threshold and the wall.

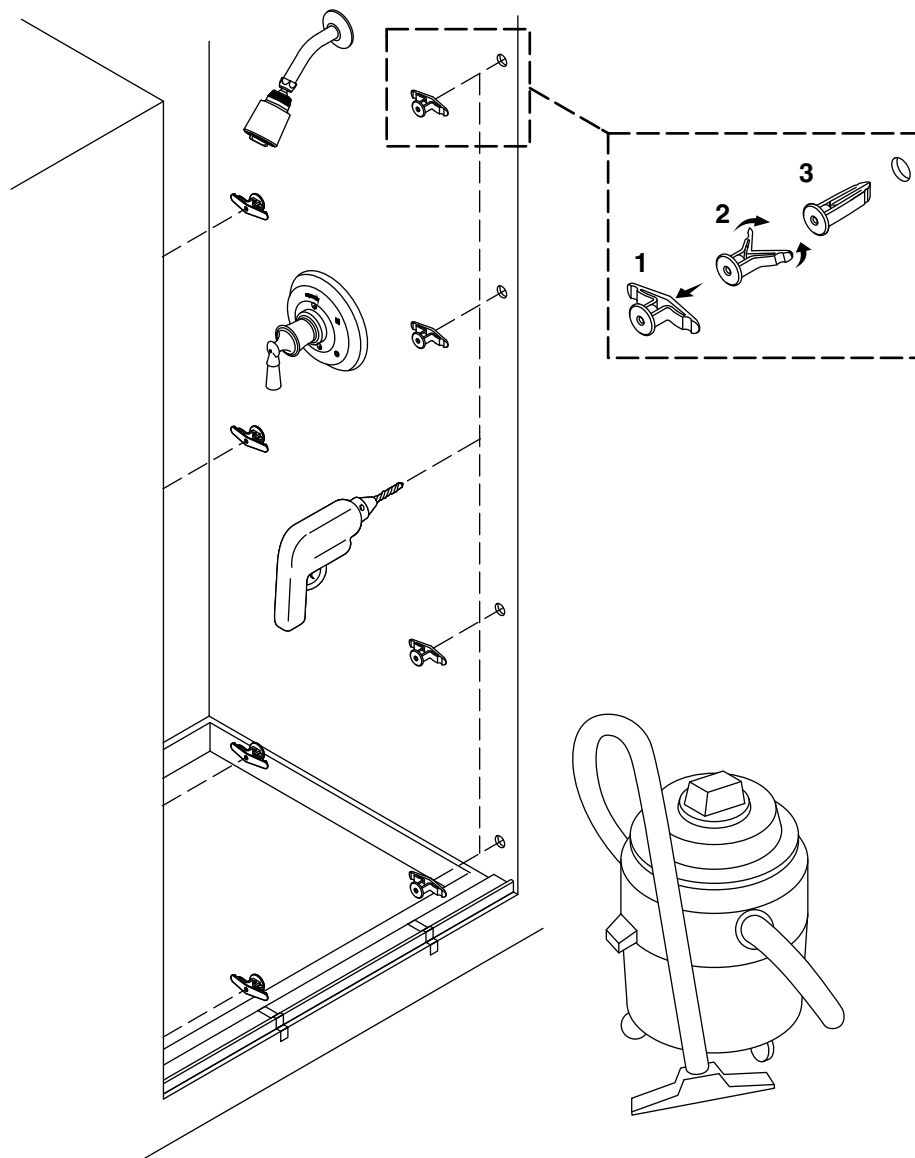
- Position the wall jambs on the threshold, flush against the threshold lip and the wall, with the round holes facing the inside of the shower.
- Plumb the wall jambs.
- Tape the wall jambs securely in place and mark the jambs' location.



## 5. Mark the Wall Jamb Screw Holes

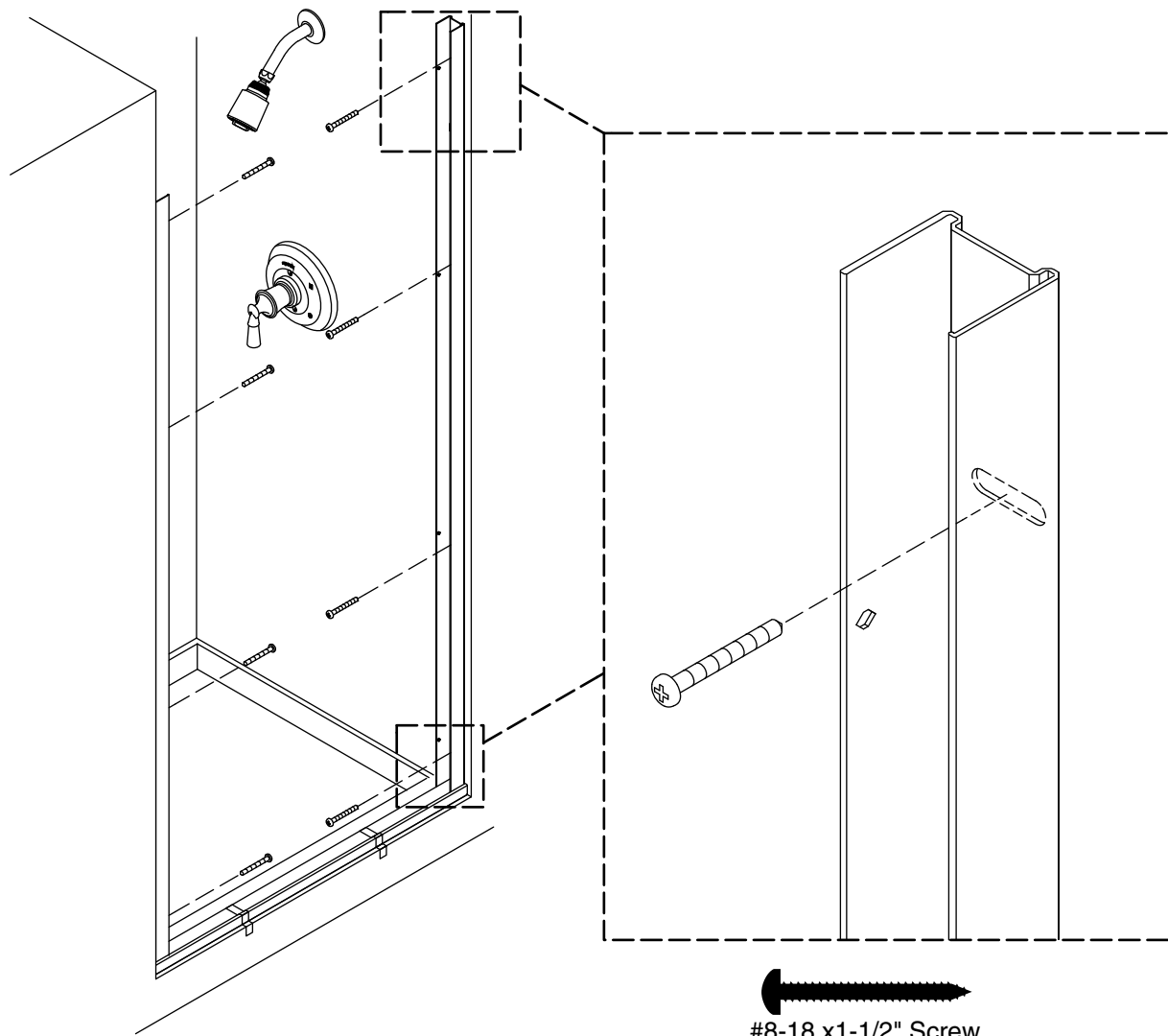
- Mark the wall at the four slotted holes on each wall jamb and remove the wall jambs.





## 6. Install the Wall Anchors

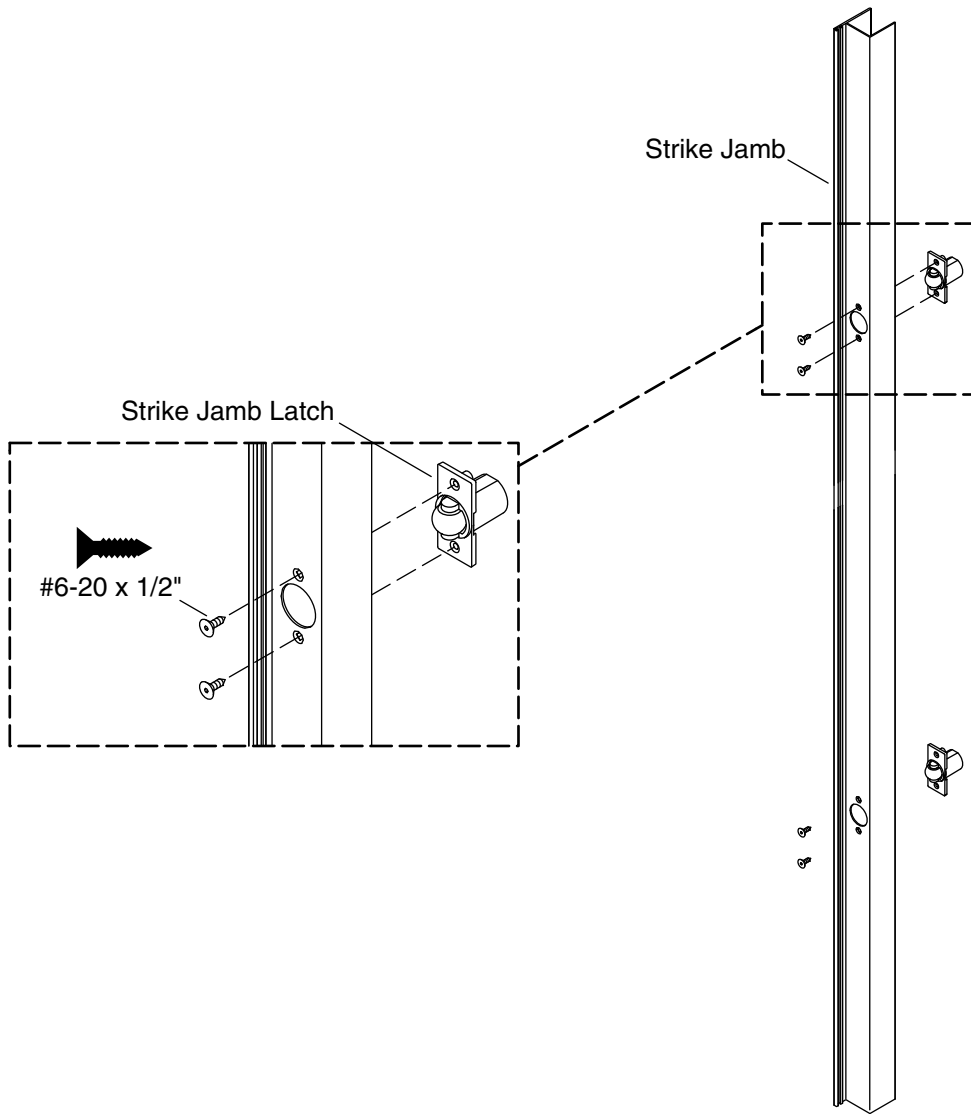
- Drill a 5/16" hole at each marked location. Use a masonry bit for tile walls.
- Install the provided wall anchors.
- Repeat for the opposite wall.
- Thoroughly clean the shower base, floor, threshold, and wall.



## 7. Install the Wall Jamb

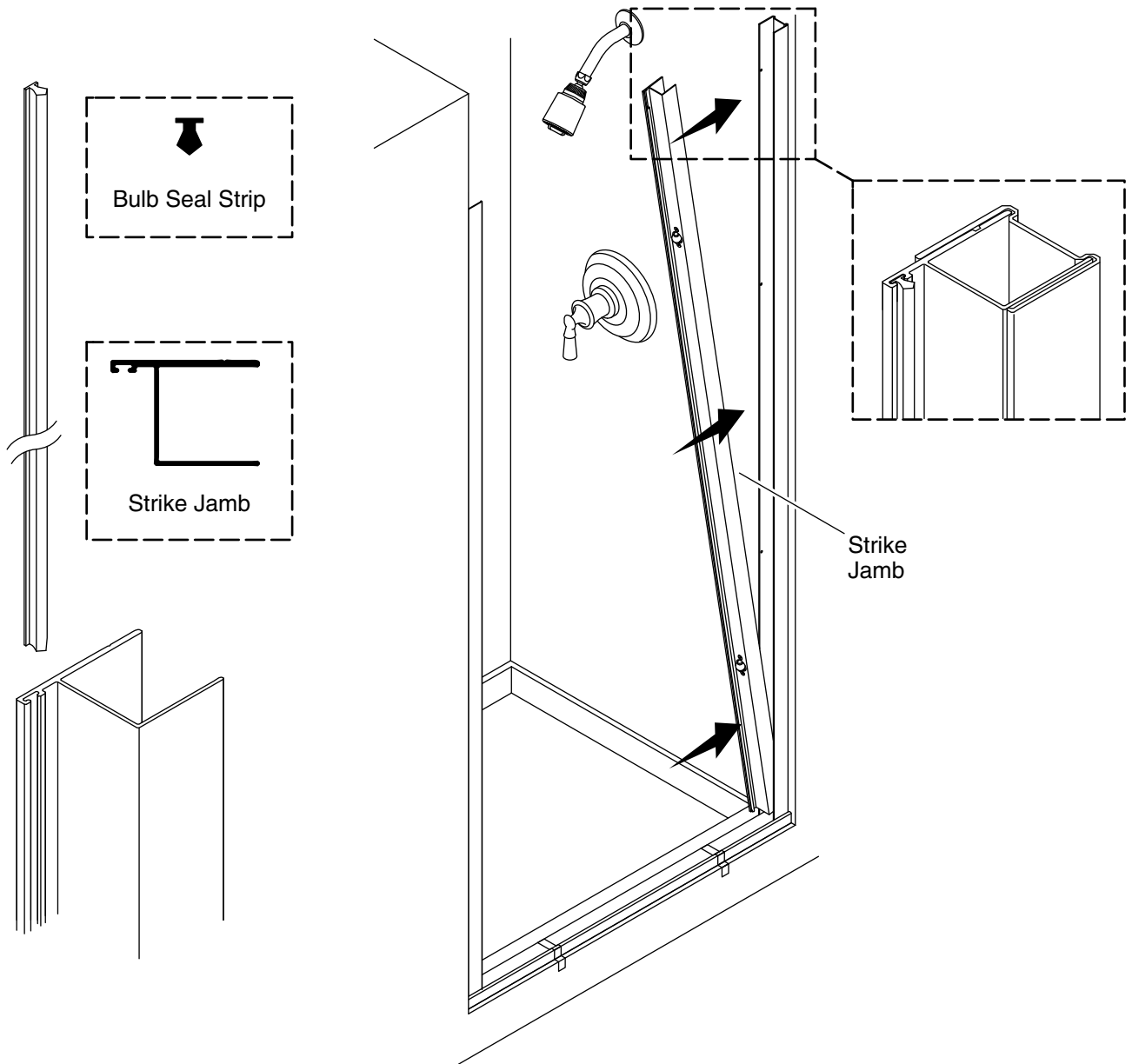
**IMPORTANT!** The round holes on the wall jambs must face the inside of the shower.

- Replace the wall jamb. Align the wall jamb to the marks made previously.
- Secure with the four provided #8-18 x 1-1/2" screws.
- Repeat for the second wall jamb.



## 8. Install the Latches

- Using the supplied hex wrench, install two latches into the strike jamb with the provided #6-20 x 1/2" screws.

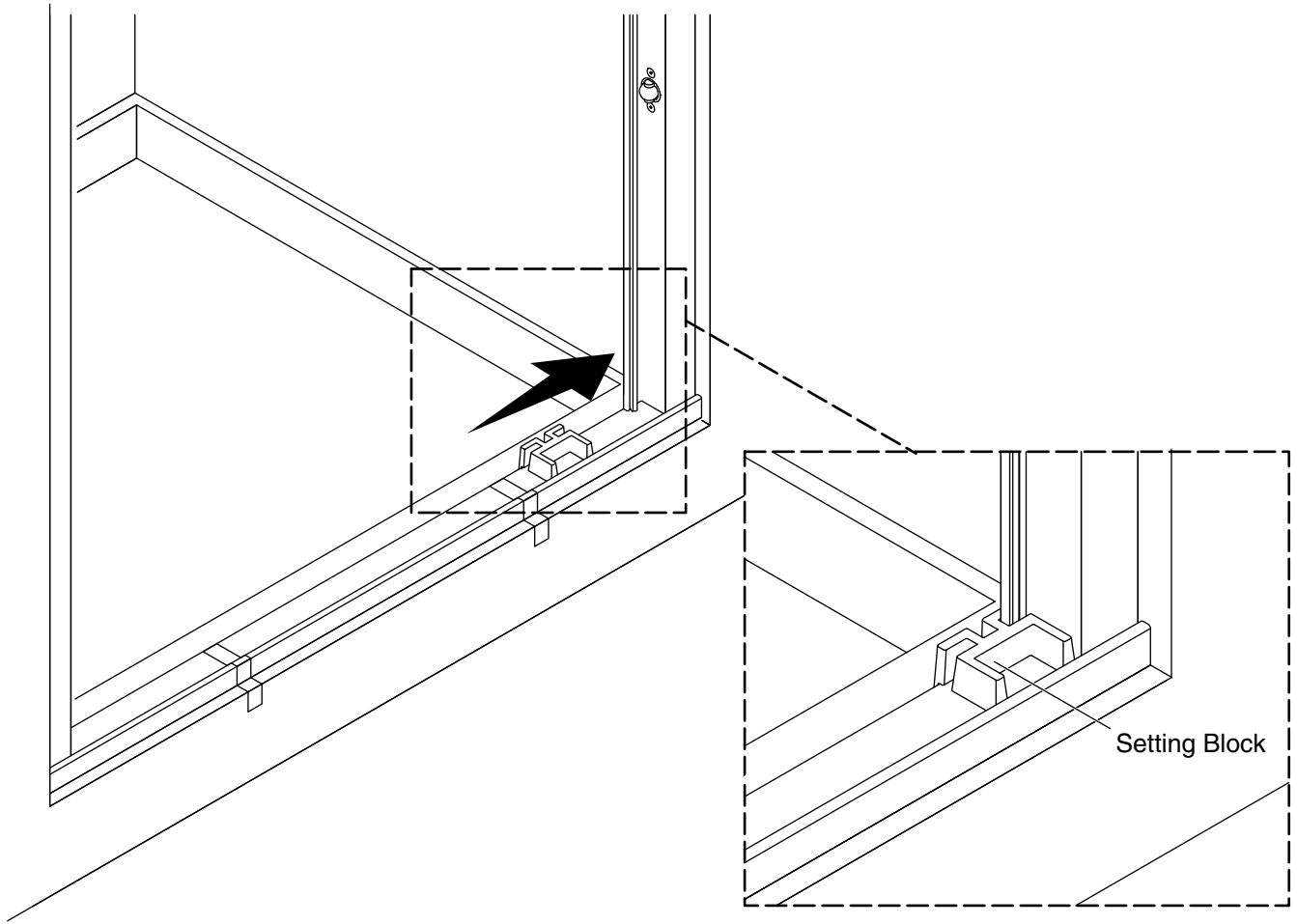


## 9. Install the Strike Jamb

**IMPORTANT!** Left pivot configuration shown in installation steps unless otherwise indicated.

**IMPORTANT!** Do not install screws until instructed.

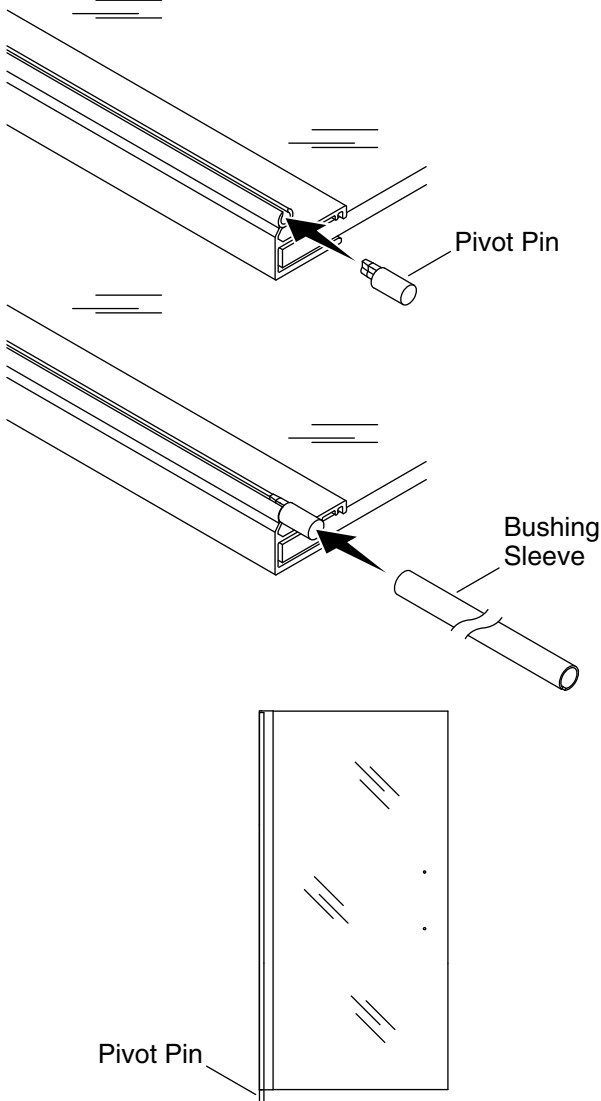
- Slide the bulb seal strip completely into the T-slot of the strike jamb.
- Starting at the bottom, fit the strike jamb into the wall jamb. The strike jamb should be completely seated on the threshold and within the wall jamb.



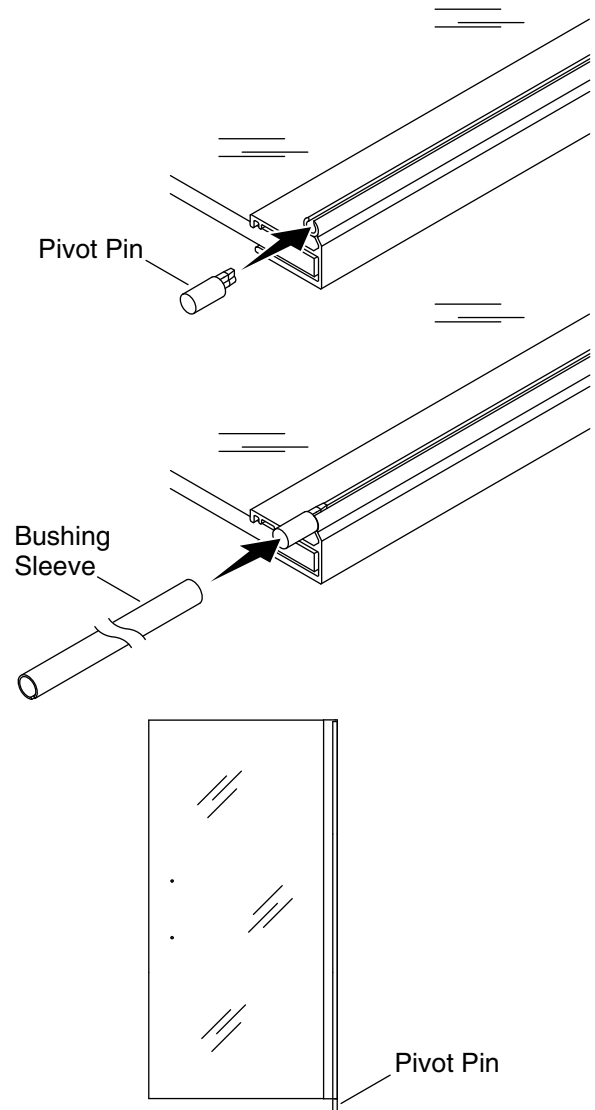
## 10. Place the Setting Block

- Place the setting block on the threshold, flush against the strike jamb.

### Left Pivot Install



### Right Pivot Install

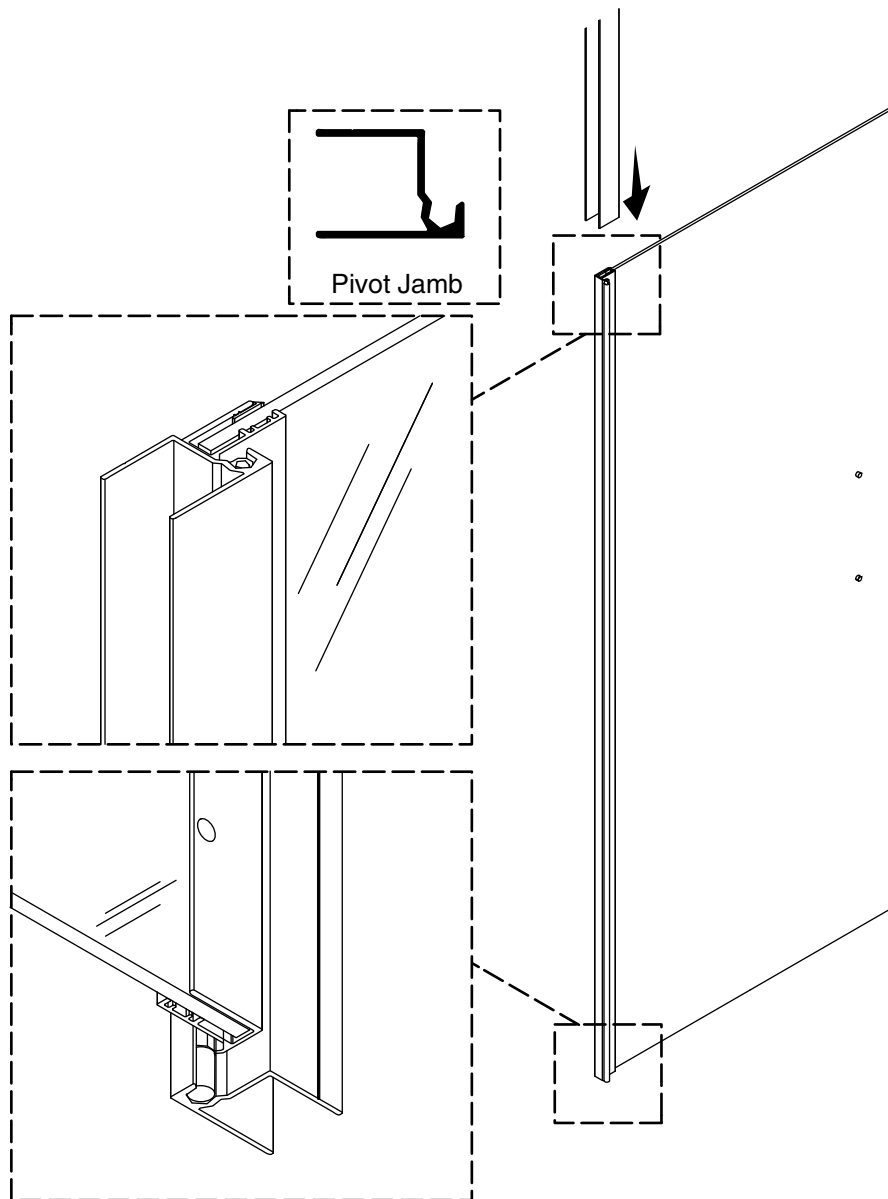


## 11. Assemble the Hinge Bracket

**IMPORTANT!** Install the bushing sleeve and pivot pin according to your door configuration: left pivot or right pivot. See illustration.

**NOTE:** The door hinge panel bracket may be lubricated with soapy water to ease installation of the bushing sleeve.

- Press the pivot pin into the bottom of the hinge bracket. See illustration to verify that the pivot pin has been installed correctly according to your door configuration.
- Slightly spread the bushing sleeve and slide over the pivot pin and onto the circular portion of the door hinge panel bracket.
- Slide the bushing sleeve to the top of the door hinge panel bracket. Make sure that the bushing sleeve does not cover the pivot pin once installed.



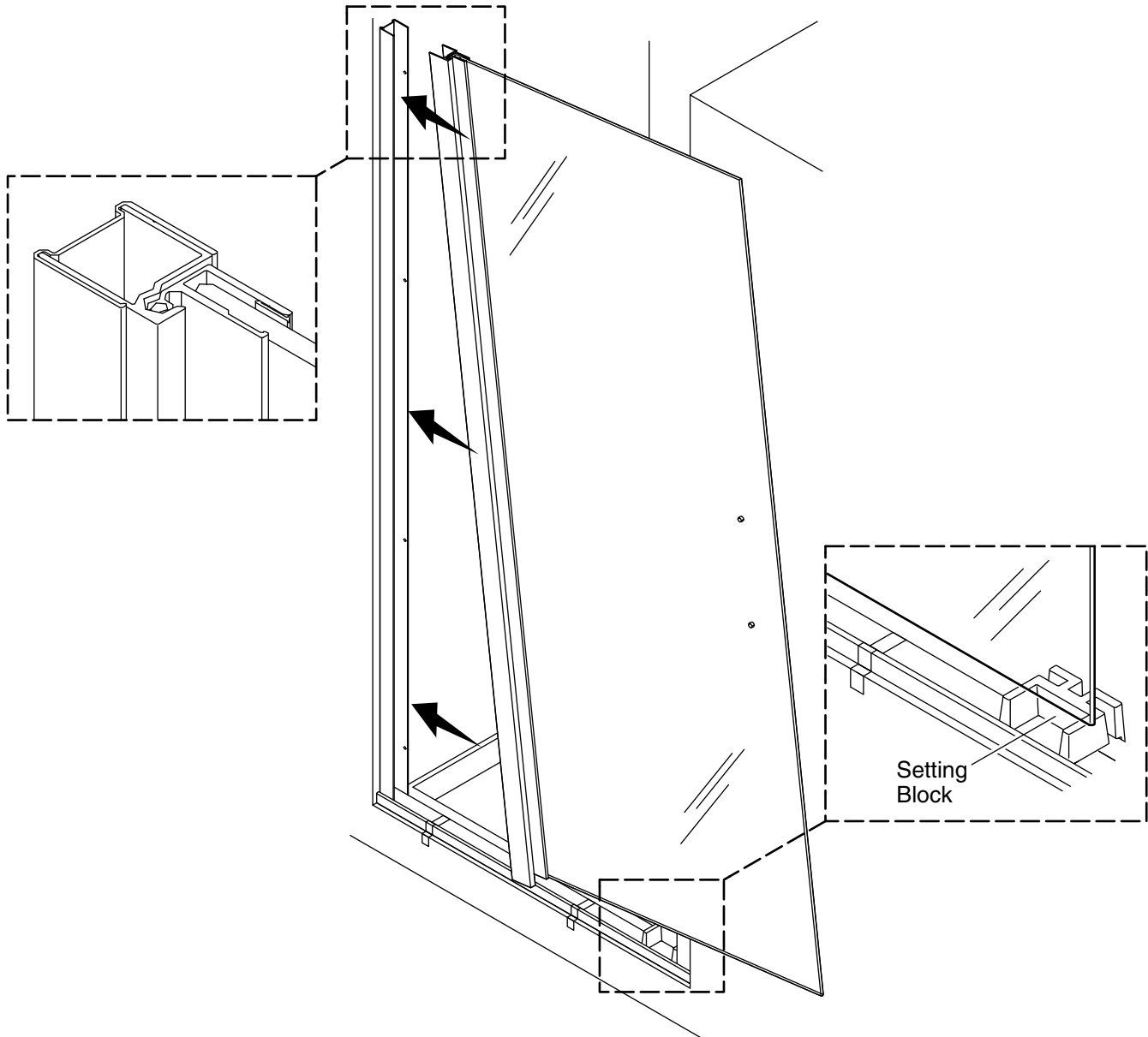
## 12. Assemble the Pivot Jamb

**IMPORTANT!** Left pivot configuration shown.

**NOTE:** The bushing sleeve may be lubricated with soapy water to ease installation of the pivot jamb.

- Slide the pivot jamb onto the hinge bracket.

**NOTE:** The bottom of the pivot jamb should be flush with the pivot pin. There should be a gap between the bottom of the pivot jamb and the bottom of the hinge bracket.

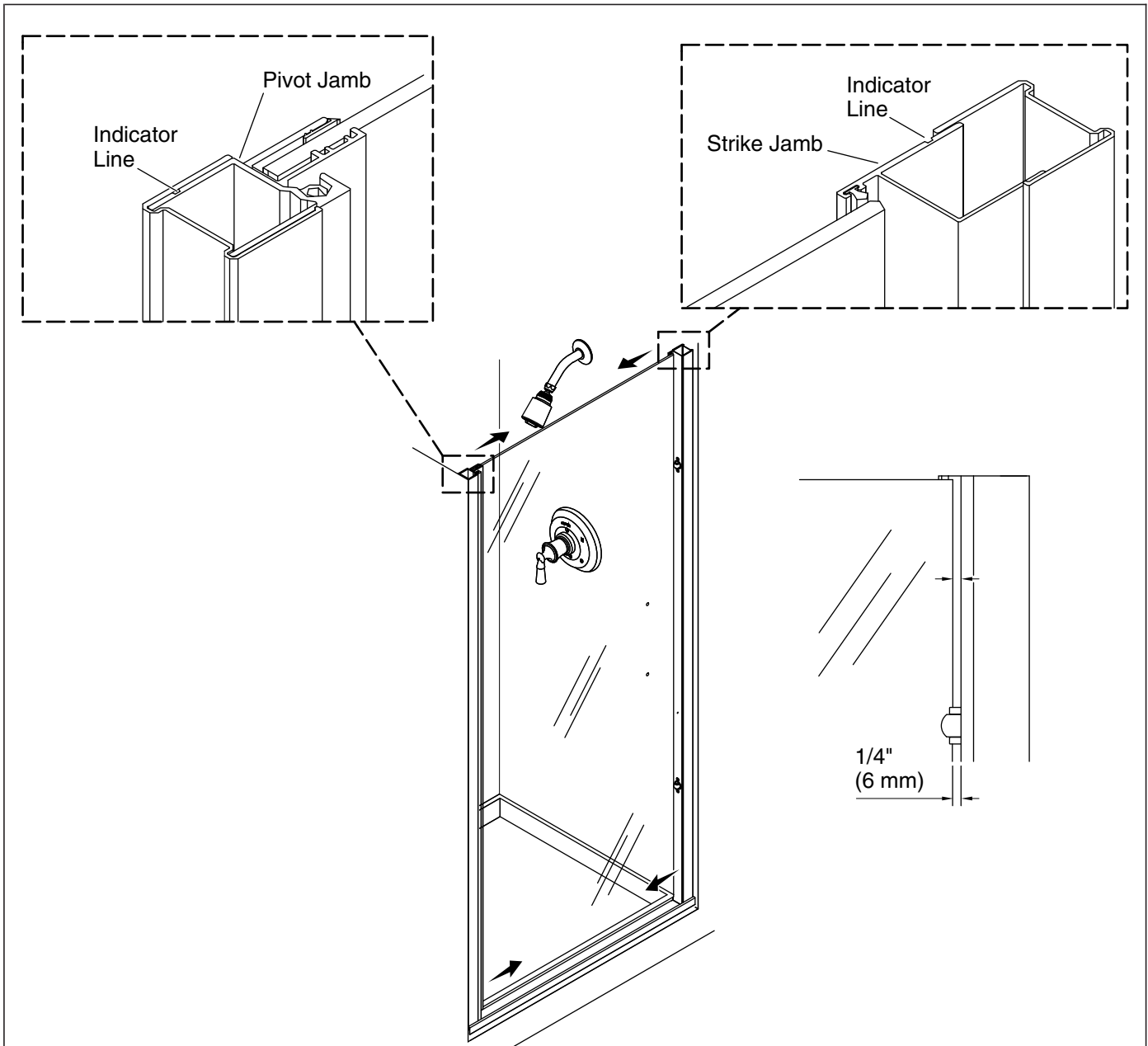


### 13. Install the Pivot Jamb

**IMPORTANT!** Do not install screws until instructed.

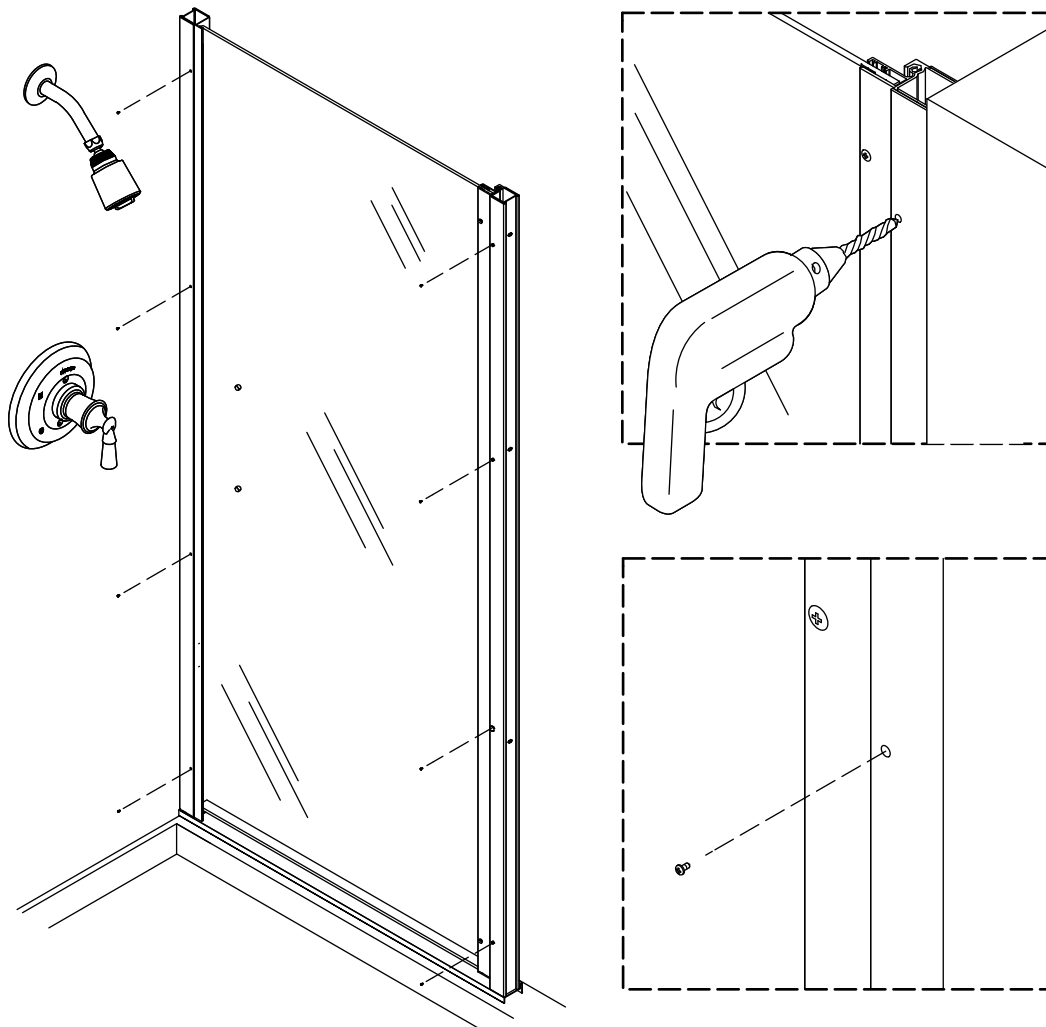
- With help, begin at the top and fit the pivot jamb and panel assembly completely within the pivot-side wall jamb.
- With the pivot jamb installed, ensure that the strike end of the glass panel rests on the setting block.





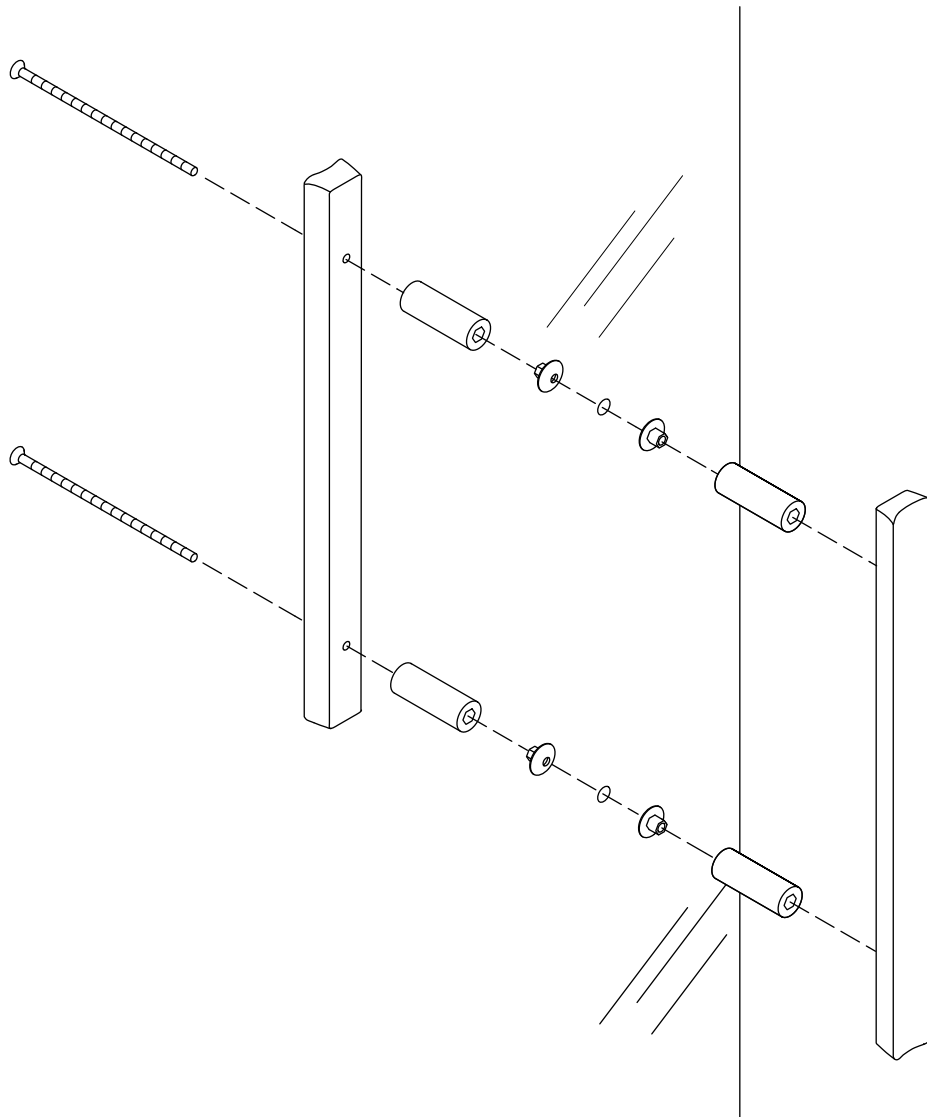
## 14. Adjust the Jamb

- Make sure that the pivot jamb is fully seated within the pivot side wall jamb, and that the end of the door panel rests on the setting block.
- Move the strike jamb outward until the edge of the door panel is not more than 1/4" (6 mm) from the strike jamb surface.
- Maximum adjustment is reached when the indicator line on the strike jamb is visible.
- If the maximum adjustment has been reached and the edge of the door panel is more than 1/4" (6 mm) from the strike jamb surface, move the door panel and pivot jamb outward.
- Maximum adjustment of the pivot jamb is reached when the indicator line on the pivot jamb is visible.
- Ensure that both the pivot jamb and strike jamb are plumb and level, and resting on the threshold.



## 15. Secure the Jambs

- From the inside of the shower, drill 9/64" pilot holes into the pivot jamb at the locations of the holes in the wall jamb.
- Secure the pivot jamb with the provided #8-18 x 3/8" screws through the holes.
- Remove the setting block.
- Verify that the door closes as desired. Adjust the strike jamb if necessary.
- From the inside of the shower, drill 9/64" pilot holes into the strike jamb at the locations of the holes in the wall jamb.
- Secure the strike jamb with the provided #8-18 x 3/8" screws through the holes.

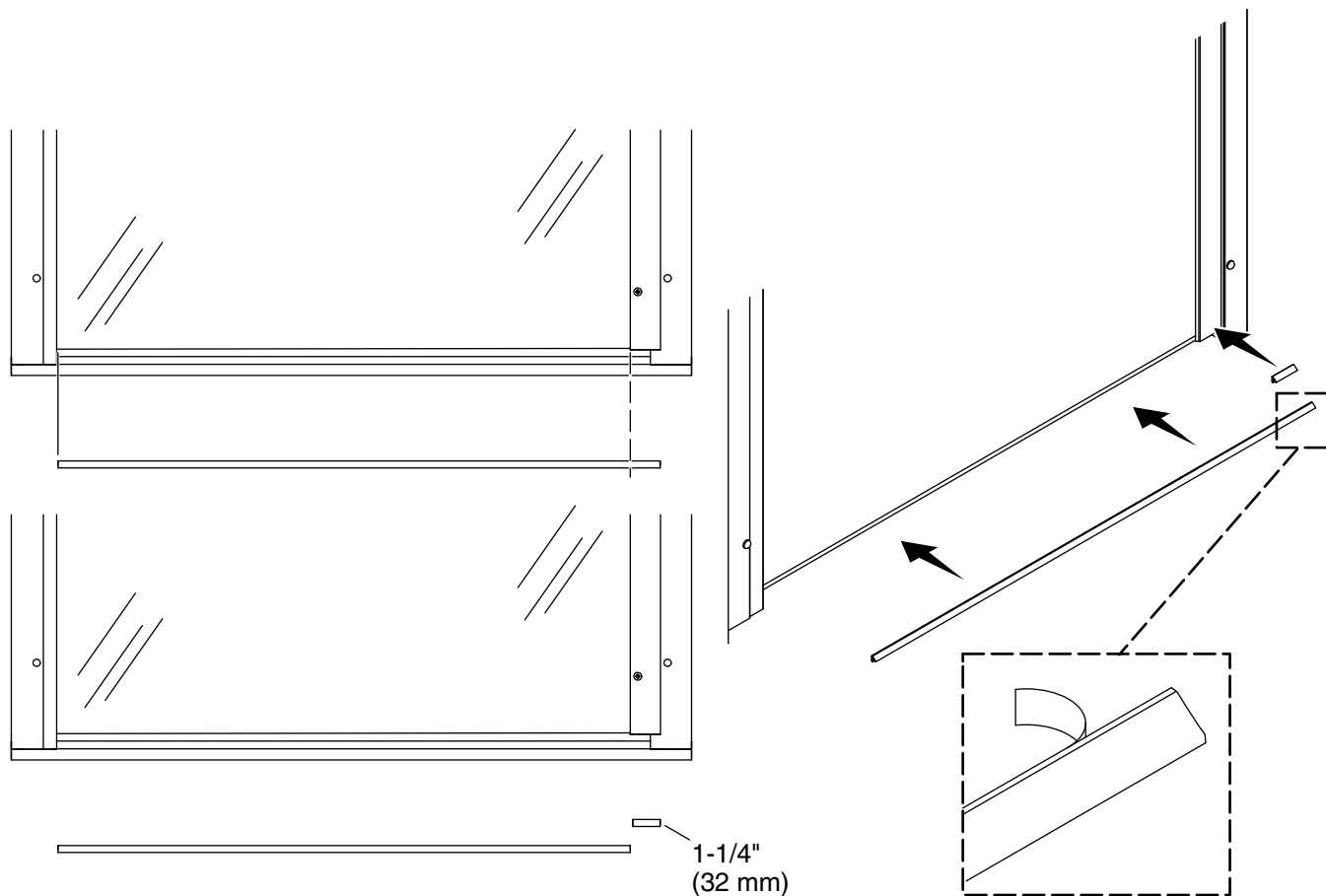


## 16. Install the Handles

**NOTE:** The handle shown may differ from the one included in your shower door.

□ Assemble the handle using the supplied hex wrench. **Do not overtighten!**

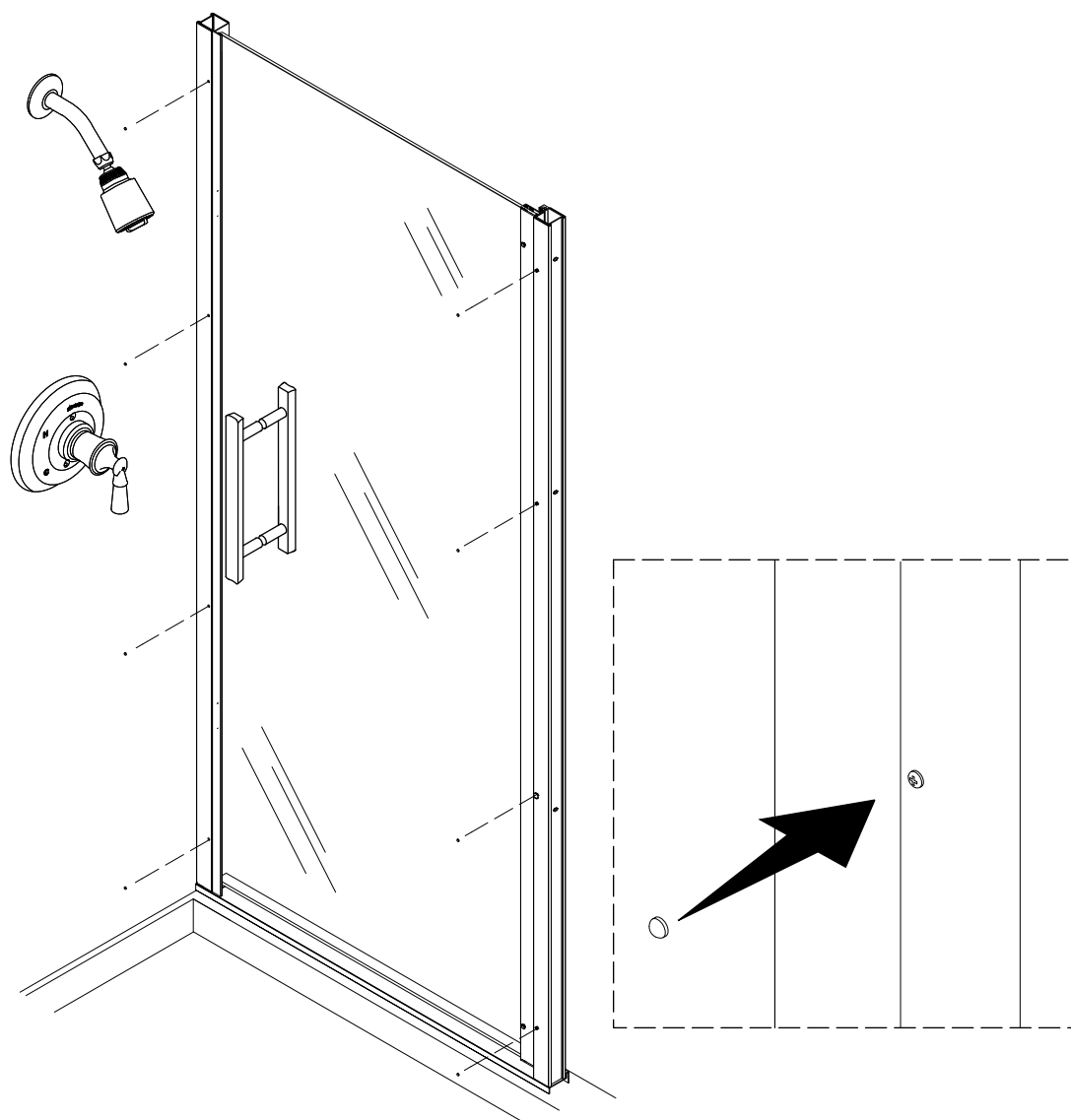
**NOTE:** The exposed screwheads face the inside of the shower.



## 17. Install the Bottom Seal

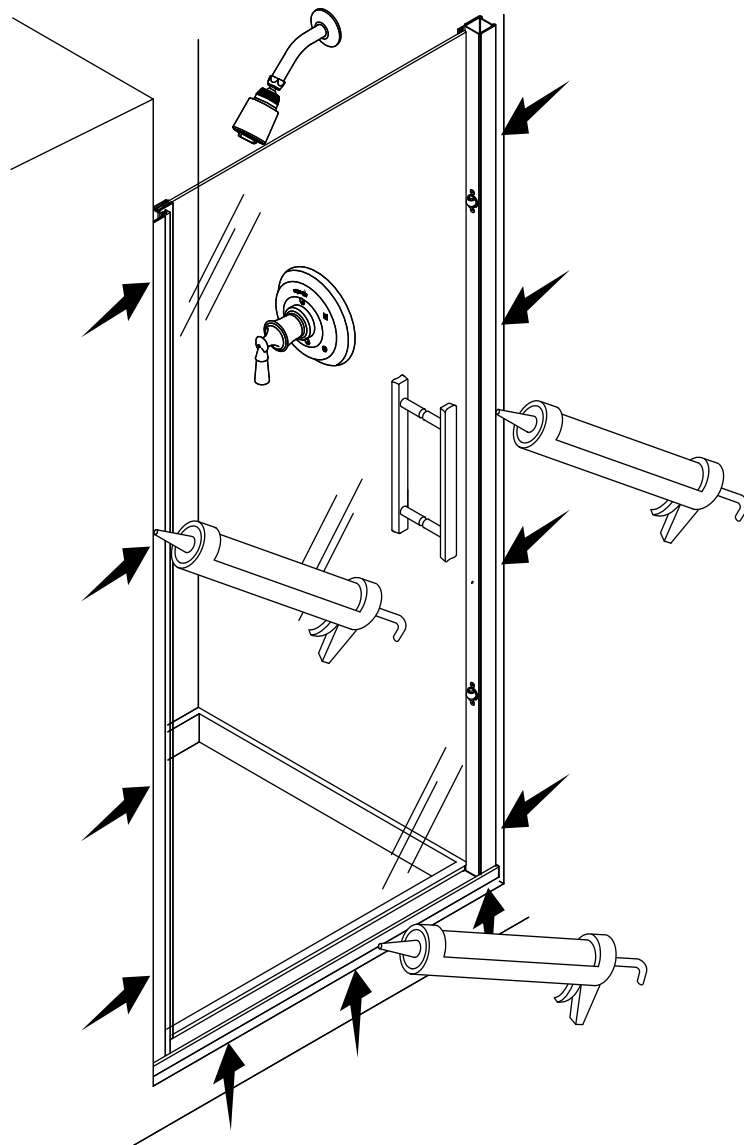
**IMPORTANT!** If the seal is misshapen when taken out of the packaging, immerse it in warm water until it regains its proper shape.

- Measure the glass panel from hinge bracket to strike jamb.
- Cut the bottom seal to this length.
- Starting at the hinge bracket, install the cut length of the bottom seal to the bottom edge of the inside of the glass panel. The seal should not interfere with the bulb seal.
- Cut 1-1/4" from the excess bottom seal and install to the bottom edge of the inside of the hinge bracket.



## 18. Install the Screwhead Covers

- Install the screwhead covers onto the wall jamb screws.



## 19. Seal the Threshold and Wall Jamb

- Remove the tape from the threshold.
- Apply 100% silicone sealant to the exterior edges.

## Care and Cleaning

For best results, keep the following in mind when caring for your STERLING product:

- Use a squeegee following each shower to eliminate water spots on the inside of the glass panels.
- For glass surfaces, use a quality glass cleaner and a clean cloth to clean the mirror surface. Carefully follow the glass cleaner manufacturer's instructions.
- Occasionally wipe the doors with a mild detergent diluted in water to keep the glass panels and anodized aluminum parts looking new.

## Care and Cleaning (cont.)

- Never use bristle brushes, abrasive sponges, scouring powder or sharp instruments on metal work or glass panels. They will scratch some metal and glass surfaces.
- For metal surfaces, never use abrasive cleansers or cleaners containing ammonia, bleach, acids, waxes, alcohol or solvents as they may damage the finish. Use of harsh cleaning agents may void Sterling's warranty obligations.
- Do not let cleaners sit or soak on surfaces.
- To avoid soap deposits or lime buildup in hard water areas, make a point to wipe the door dry after each use, just as you would towel dry your hands with a soft cloth.
- Rinse and wipe fixtures after cleaning to prevent soap buildup.

For detailed cleaning information and products to consider, visit [www.sterlingplumbing.com/care-and-cleaning](http://www.sterlingplumbing.com/care-and-cleaning). To order Care & Cleaning information, call 1-800-456-4537.

## Troubleshooting

### Troubleshooting Table

Symptoms	Probable Cause	Recommended Action
1. The pivot jamb falls off of the hinge bracket.	A. The bushing sleeve is worn or not installed.	A. Install the bushing sleeve. Refer to "Assemble the Hinge Bracket" section.
2. The door does not close properly.	A. The pivot jamb or the strike jamb is not installed to the wall jamb properly.	A. Install the pivot jamb or strike jamb to the wall jamb properly. Refer to the "Locate the Strike Jamb" and "Install the Pivot Jamb" sections.
3. The door opens or closes with difficulty.	A. The pivot jamb or strike jamb is not adjusted properly.	A. Adjust the pivot jamb or strike jamb. Refer to the "Adjust the Jambs" and the "Secure the Jambs" sections.
4. The door contacts the threshold.	A. The pivot pin is not installed. B. The door panel is not adjusted properly.	A. Check that the pivot pin is installed. Refer to the "Assemble the Hinge Bracket" section. B. Adjust the pivot jamb so that the door panel opens evenly and does not contact the threshold. Refer to the "Adjust the Jambs" section.
5. Water leaks.	A. Water leaks under the door panel. B. Water leaks past the strike jamb. C. Water leaks under the threshold. D. Water leaks between the wall jamb and the wall.	A. Verify that the bottom seal is in place. Refer to the "Install the Bottom Seal" section. B. Adjust the strike jamb so that the door panel makes contact with the seal. Refer to the "Adjust the Jambs" section. C. From outside the shower, apply 100% silicone sealant where the threshold meets the shower ledge. Refer to the "Seal the Threshold and Wall Jambs" section. D. From the outside of the shower, apply 100% silicone sealant where the wall jamb meets the wall. Refer to the "Seal the Threshold and Wall Jambs" section.

## Warranty

### 5-Years Limited

SP2375            6300 Series  
5300 Series        6500 Series  
5400 Series        58000 Series  
5600 Series

### 3-Years Limited

1500 Series        4800 Series  
2200 Series        4900 Series  
4600 Series        5900 Series  
4700 Series        57000 Series

### 1-Year Limited

500 Series            3100 Series  
660 Series  
670 Series  
690 Series

Based on the classification specified above, STERLING bath and shower doors are warranted to be free of manufacturing defects within the time of the specified model's limited warranty from date of sale.

Kohler Co. will, at its election, repair, rectify or replace a fixture when inspection by Kohler Co. discloses any such defects occurring in normal usage within the time period of coverage stated above. Kohler Co. is not responsible for removal or installation costs where replacement is indicated. Damages due to improper handling, installation or maintenance are not considered manufacturing defects and are not covered by this warranty. This warranty is valid for the original, consumer purchaser only.

To obtain warranty service, contact Sterling, either through your plumbing contractor, home center, wholesaler or dealer, or by calling or writing Sterling, Consumer Services, 444 Highland Drive, Kohler, Wisconsin 53044, 1-800-783-7546.

**TO THE EXTENT PERMITTED BY LAW, ALL IMPLIED WARRANTIES INCLUDING THOSE OF MERCHANTABILITY AND FITNESS FOR A PARTICULAR PURPOSE ARE HEREBY DISCLAIMED. KOHLER CO. AND SELLER HEREBY DISCLAIM ANY LIABILITY FOR SPECIAL, INCIDENTAL, OR CONSEQUENTIAL DAMAGES.** Some states/provinces do not allow limitations on how long an implied warranty lasts, or the exclusion or limitation of special, incidental or consequential damages, so these limitations and exclusions may not apply to you. This warranty gives you specific legal rights. You may have other rights which vary from state/province to state/province.

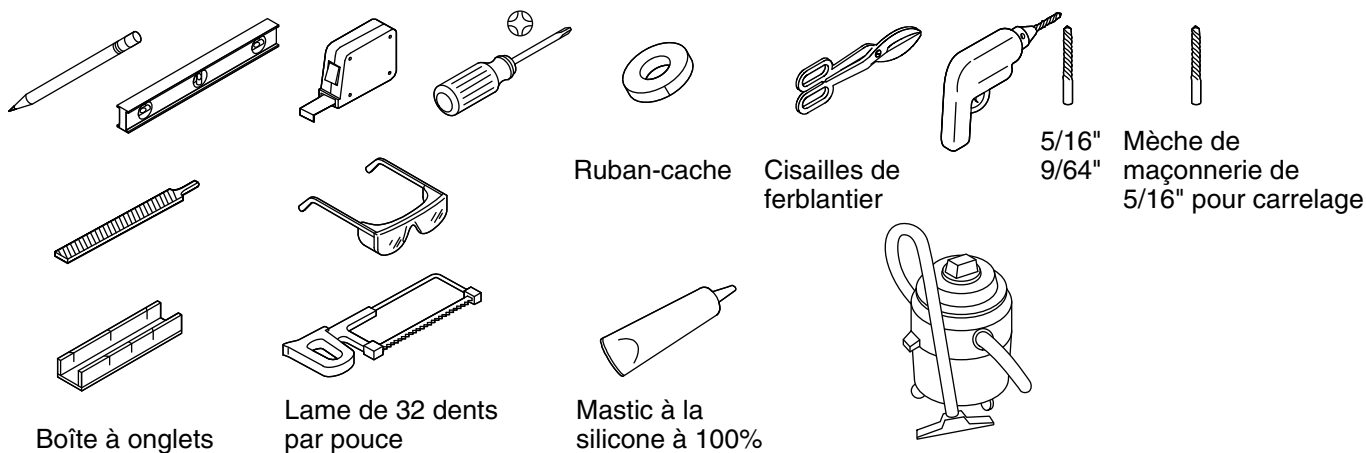
**This is the exclusive written warranty for Kohler Co.**










# Guide d'installation et d'entretien

## Porte de douche à pivot

### Outils et matériel



### Avant de commencer

-  **AVERTISSEMENT: Risque de blessures graves.** Des dommages avant l'installation peuvent entraîner des éclatements de verre. Inspecter le verre et toutes les pièces pour y rechercher des dommages avant l'installation.
-  **AVERTISSEMENT: Risque de blessures graves.** Une installation incorrecte peut entraîner des éclatements de verre. Suivre toutes les instructions d'installation.
-  **AVERTISSEMENT: Risque de blessures graves.** Ne pas couper le verre trempé. Le verre trempé éclate lorsqu'il est coupé.
-  **AVERTISSEMENT: Risque de blessures graves.** La porte de la douche et les panneaux latéraux peuvent éclater. Inspecter régulièrement le verre et toutes les pièces pour y rechercher des dommages, ou des pièces manquantes ou desserrées.
-  **AVERTISSEMENT: Risque de blessures graves.** Toujours porter des lunettes de sécurité pendant la découpe et le perçage.
-  **AVERTISSEMENT: Risque de blessures.** Ne pas découper le verre trempé. Si le verre est coupé, il se fragmente et ceci pourrait causer des blessures.
-  **AVERTISSEMENT: Risque de blessures ou d'endommagement du produit.** Le verre trempé non encadré ne doit pas entrer en contact avec des surfaces dures, car il risquerait de se briser. Ne pas toucher le bord du panneau de verre trempé avec des outils ou des objets durs. Ne pas poser le verre trempé non encadré directement sur le sol.

**IMPORTANT!** Cette porte est conçue pour s'adapter à des murs qui ont un faux aplomb de moins de 3/8" (10 mm). Vérifier que la zone sur laquelle la porte sera fixée est comprise dans 3/8" (10 mm) de l'aplomb, ou mieux. La porte risque de ne pas fonctionner correctement si le faux aplomb du mur est supérieur à 3/8" (10 mm).

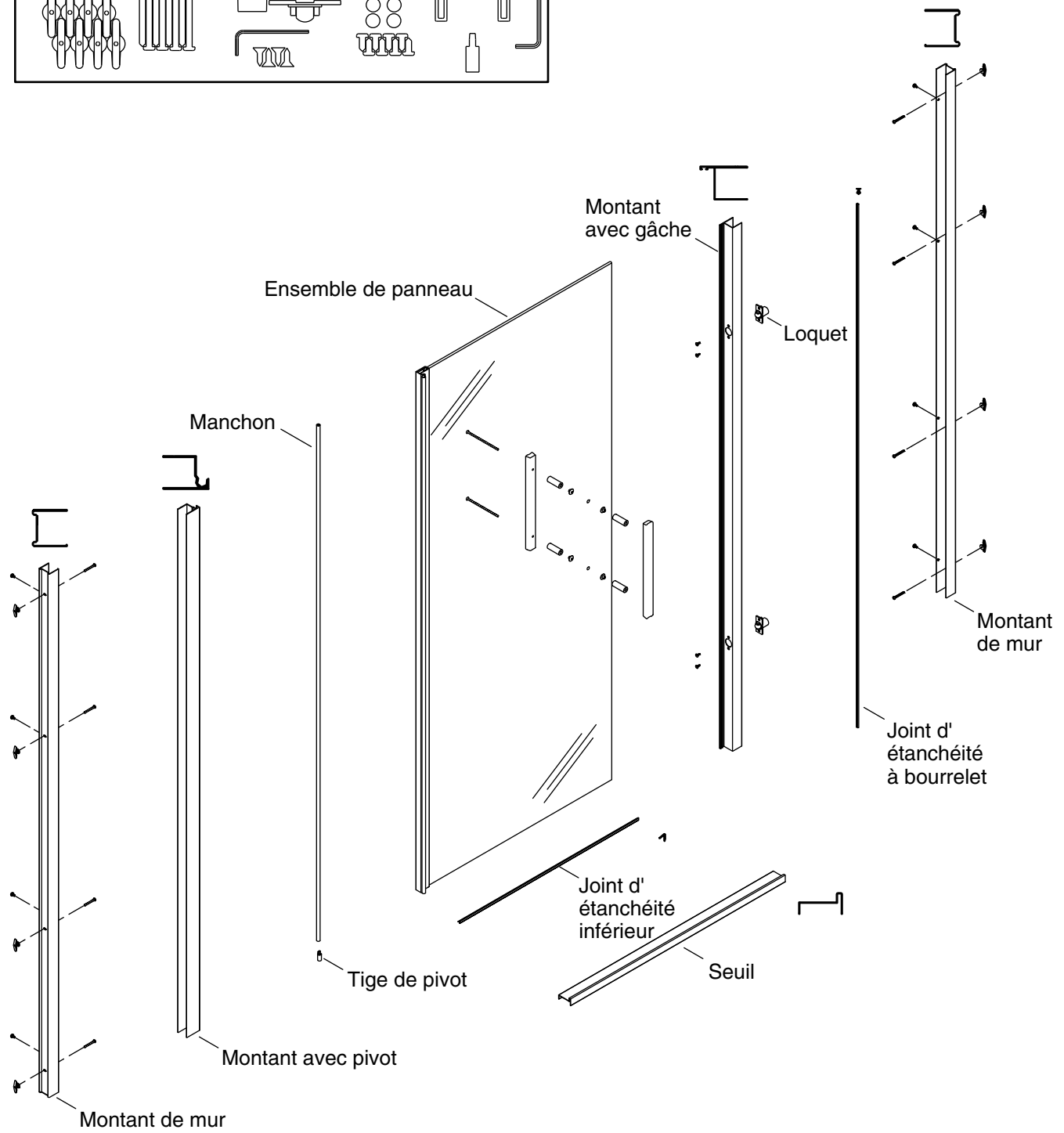
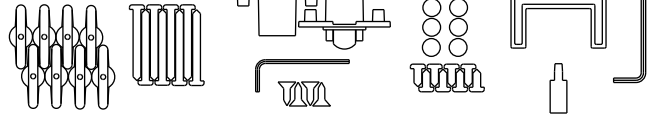
**IMPORTANT!** Laisser ce manuel pour l'utilisateur final. Lire ces instructions avant d'installer ou d'utiliser ce produit.

### **Avant de commencer (cont.)**

- La porte Sterling neuve peut être installée avec une ouverture de la porte vers la droite ou vers la gauche. Installer la porte avec le côté pivot éloigné de la pomme de douche pour obtenir les meilleurs résultats possibles.
- Avant de commencer l'installation, étaler et identifier toutes les pièces. Vérifier qu'elles sont en bon état.
- Pendant l'installation, protéger le sol de la douche avec une toile de protection afin d'éviter des dommages.
- La base de la douche doit être installée et préparée à ce point, y compris les matériaux de finition murale.
- Suivre de près les instructions relatives à l'application de mastic sur la porte. Le scellage de zones qui ne sont pas indiquées pourrait créer des fuites.
- Deux personnes doivent effectuer cette installation.

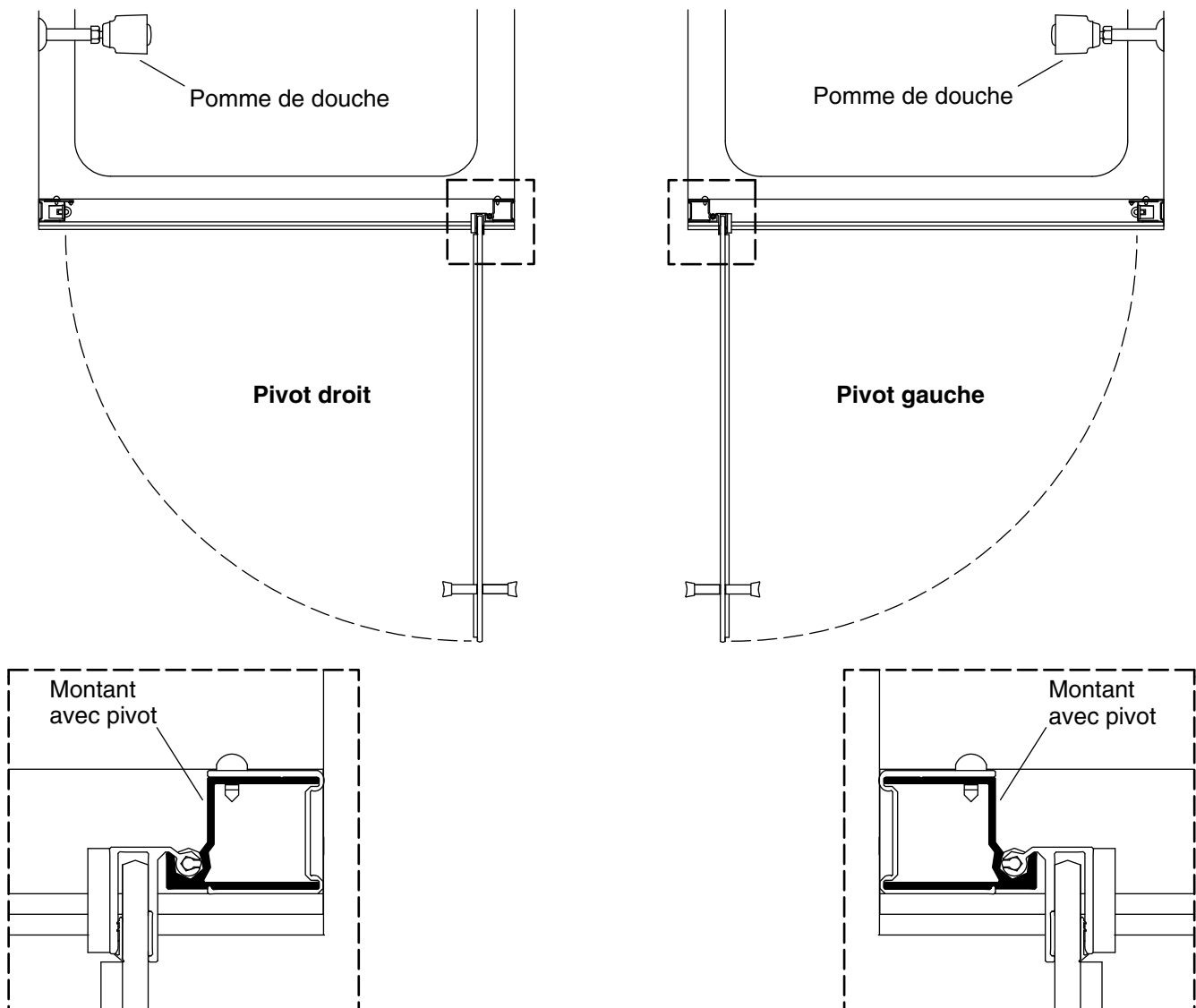
1319191

Sac de visserie



### Identification des pièces

## Vue de dessus

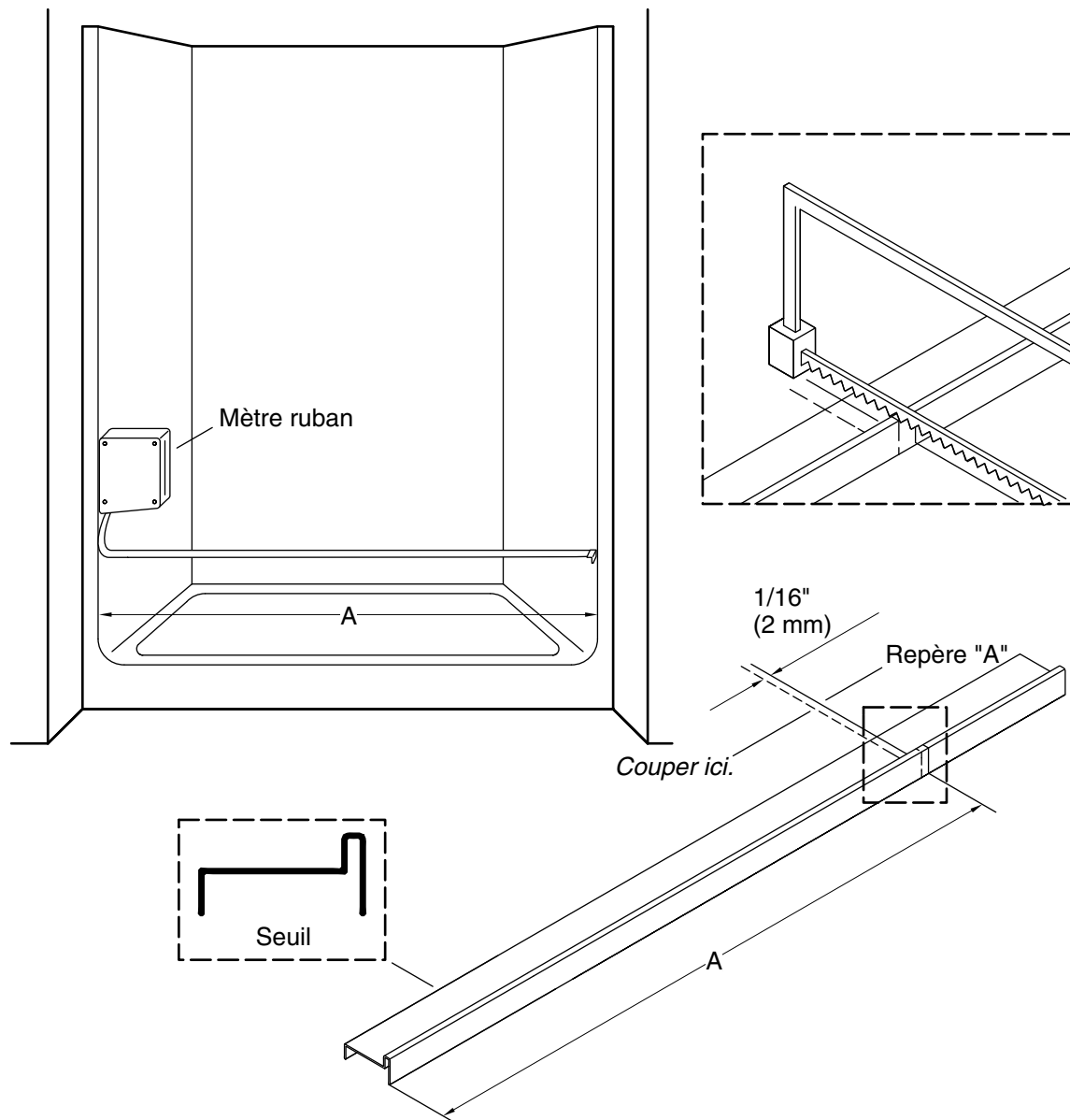


### 1. Déterminer la configuration de la porte

**IMPORTANT!** Installer le montant avec pivot de la porte sur le côté opposé de la pomme de douche.

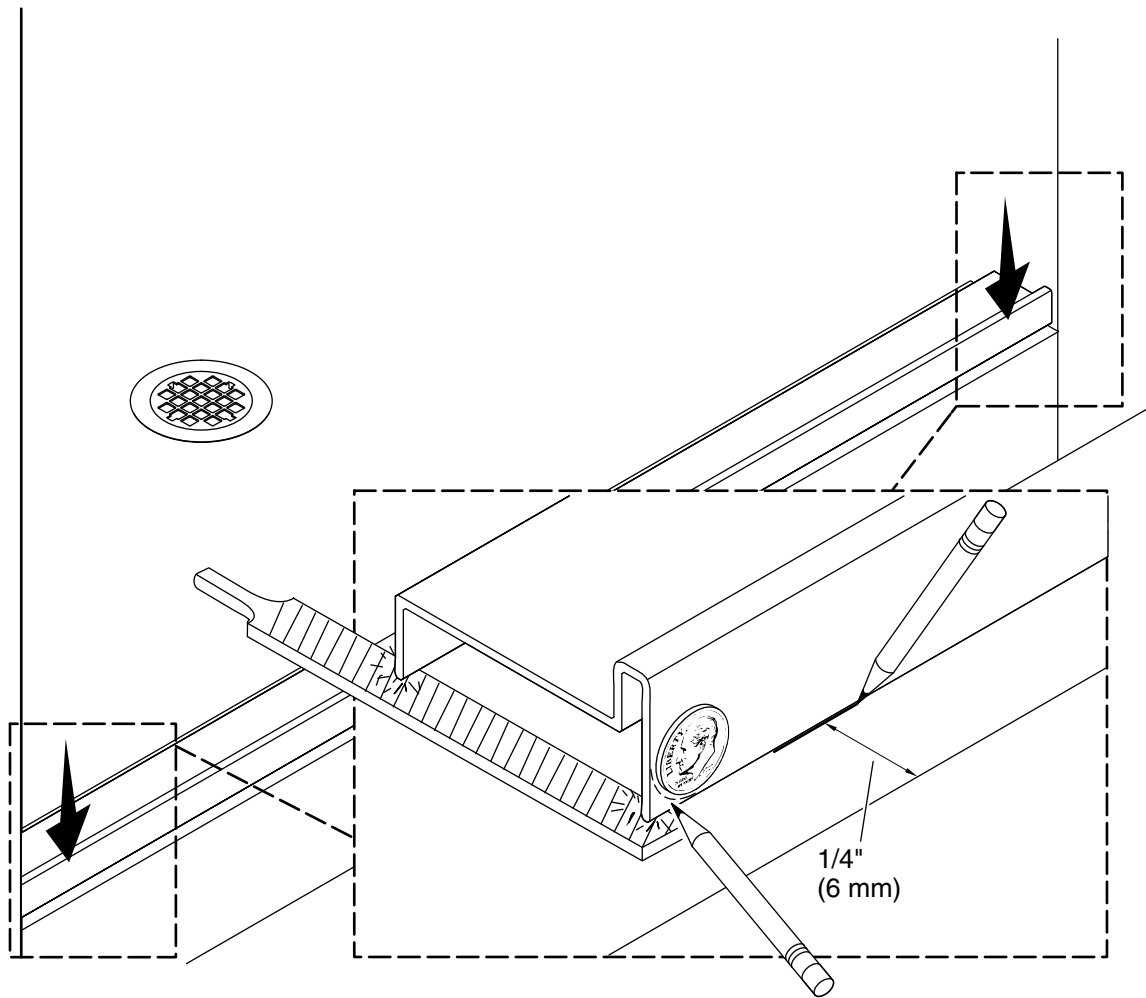
**IMPORTANT!** La configuration de pivot côté gauche est illustrée dans les étapes d'installation sauf sur indication contraire.

- Déterminer si la porte sera installée dans une configuration de pivot droit ou de pivot gauche.



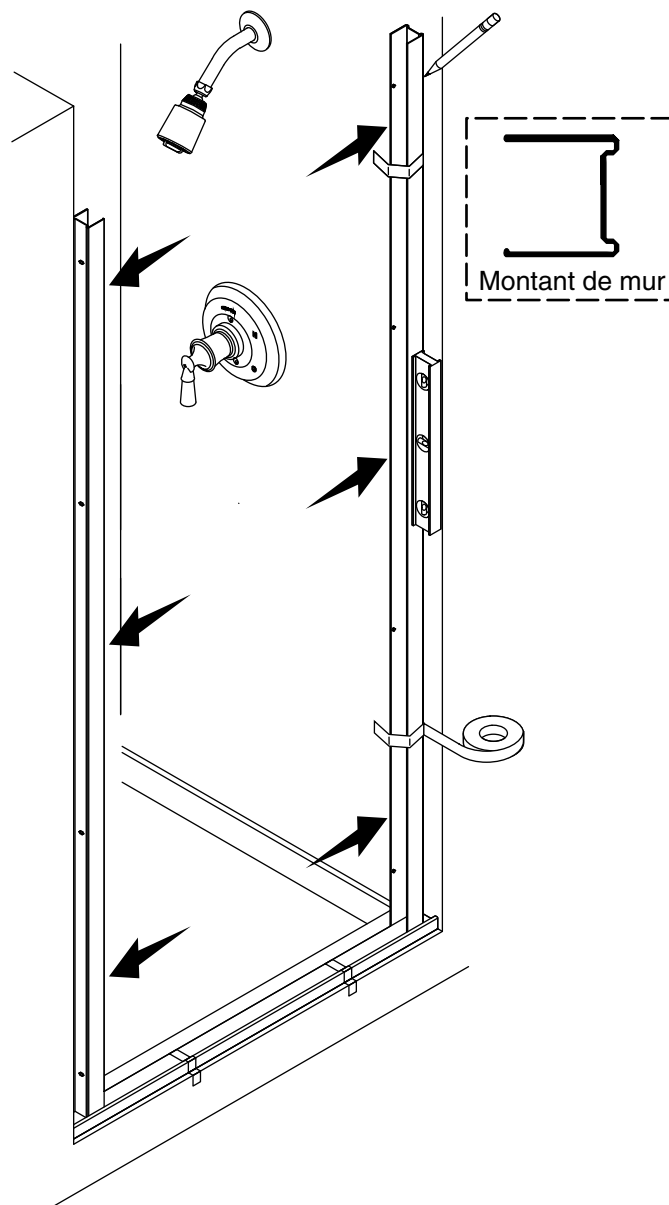
## 2. Mesurer et couper le seuil

- Recouvrir le drain avec du ruban afin d'éviter de perdre les petites pièces.
- Utiliser une toile de protection pour protéger la surface de la douche.
- Mesurer la distance "A" entre les murs de la douche et la marquer sur le seuil.
- Mesurer 1/16" (2 mm) ou la largeur de la lame d'une scie à partir de "A" et créer un deuxième repère sur le seuil comme sur l'illustration.
- Couper le seuil au niveau du deuxième repère et limer tous les bords bruts.



### 3. Positionner le seuil

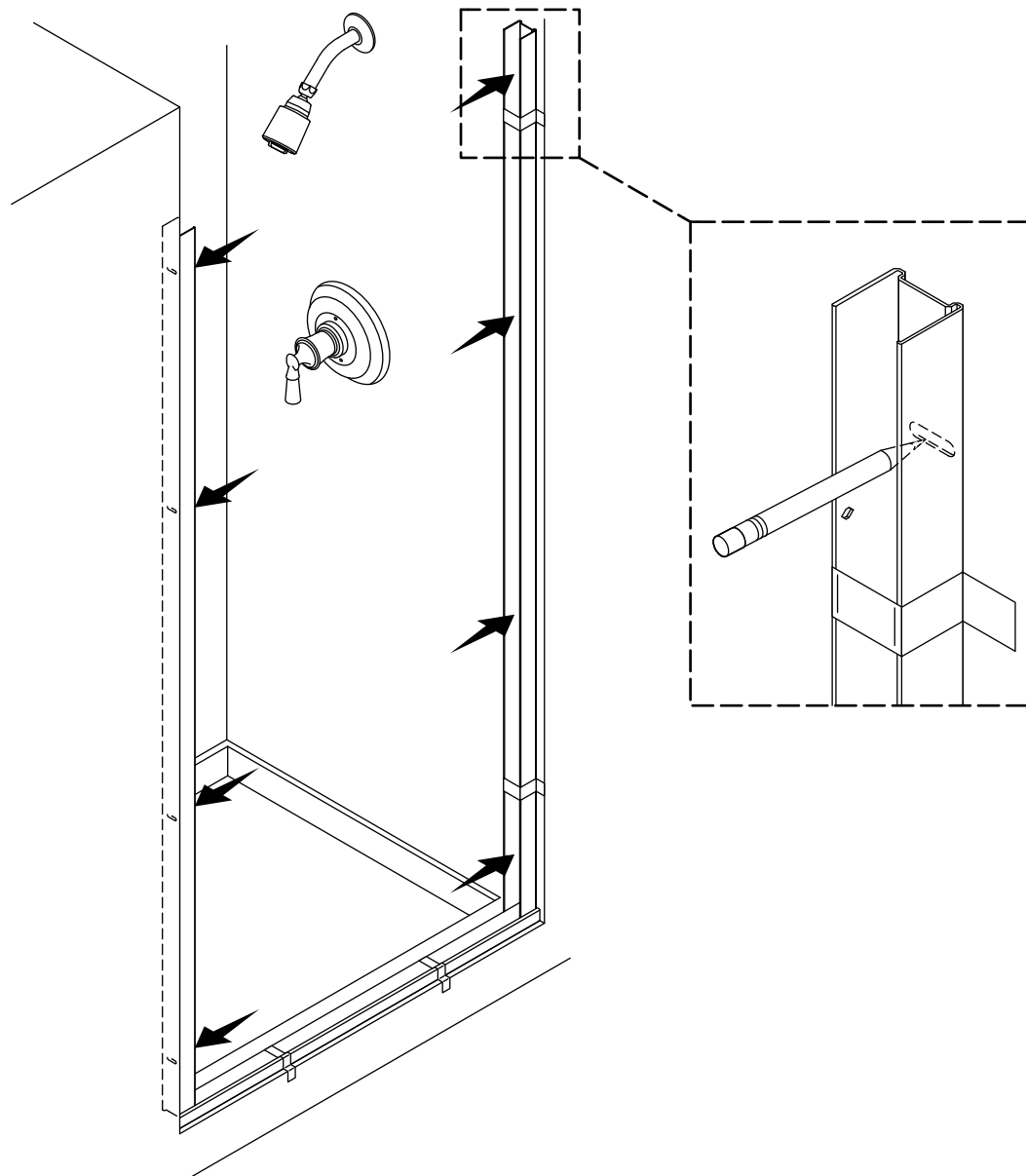
- Si nécessaire, limer les extrémités du seuil pour les adapter contre le mur de la douche. Utiliser une pièce de monnaie pour faire correspondre et transférer le rayon du coin.
- Positionner le seuil à 1/4" (6 mm) du bord extérieur du rebord de la douche le long de toute sa longueur. Marquer l'emplacement.
- Fixer le seuil en place avec du ruban.



#### 4. Positionner les montants de mur

**IMPORTANT!** Les montants de mur doivent être bien adaptés contre le seuil et le mur.

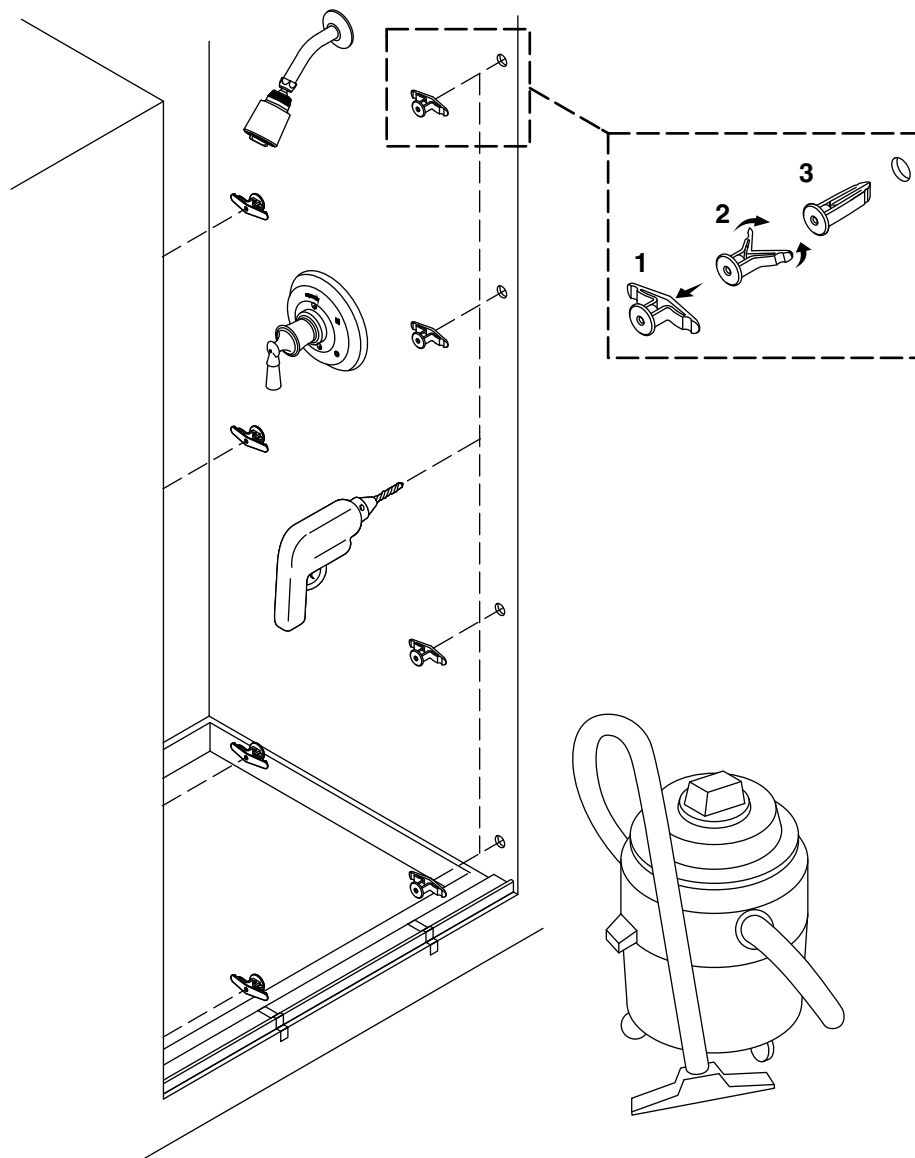
- Positionner les montants de mur sur le seuil, à ras contre la lèvre du seuil et du mur, avec les trous arrondis tournés vers l'intérieur de la douche.
- Mettre les montants de murs d'aplomb.
- Attacher les montants de mur en place avec du ruban adhésif et marquer l'emplacement des montants.



## 5. Marquer les trous des vis du montant de mur

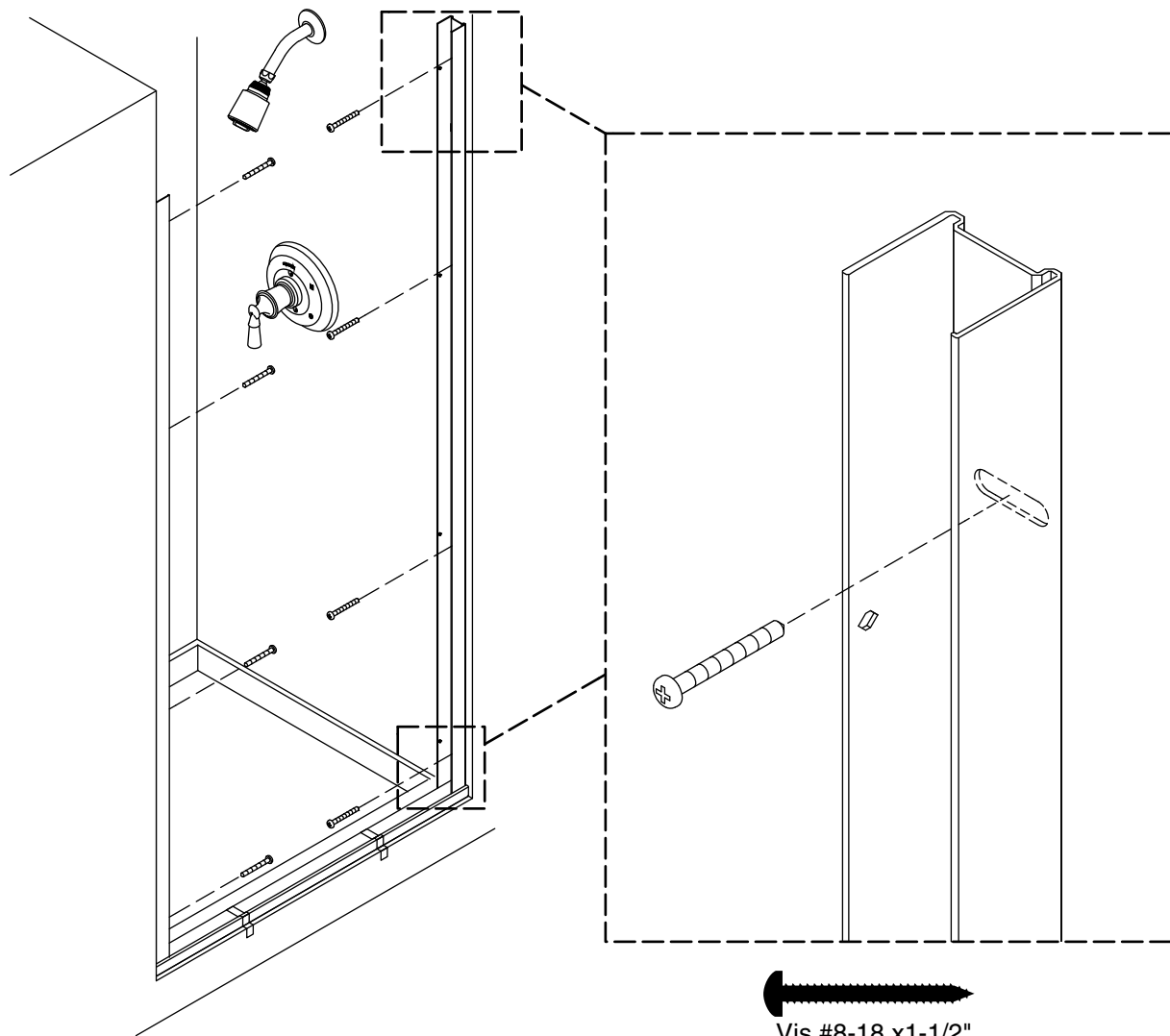
- Marquer le mur aux quatre trous avec fentes sur chaque montant de mur et retirer les montants de mur.





## 6. Installer les chevilles d'ancrage du mur

- Percer un trou de 5/16" à chaque emplacement marqué. Utiliser une mèche à maçonnerie pour les murs à carrelage.
- Installer les chevilles d'ancrage de mur fournies.
- Répéter avec le mur opposé.
- Bien nettoyer la base de la douche, le plancher, le seuil, et le mur.

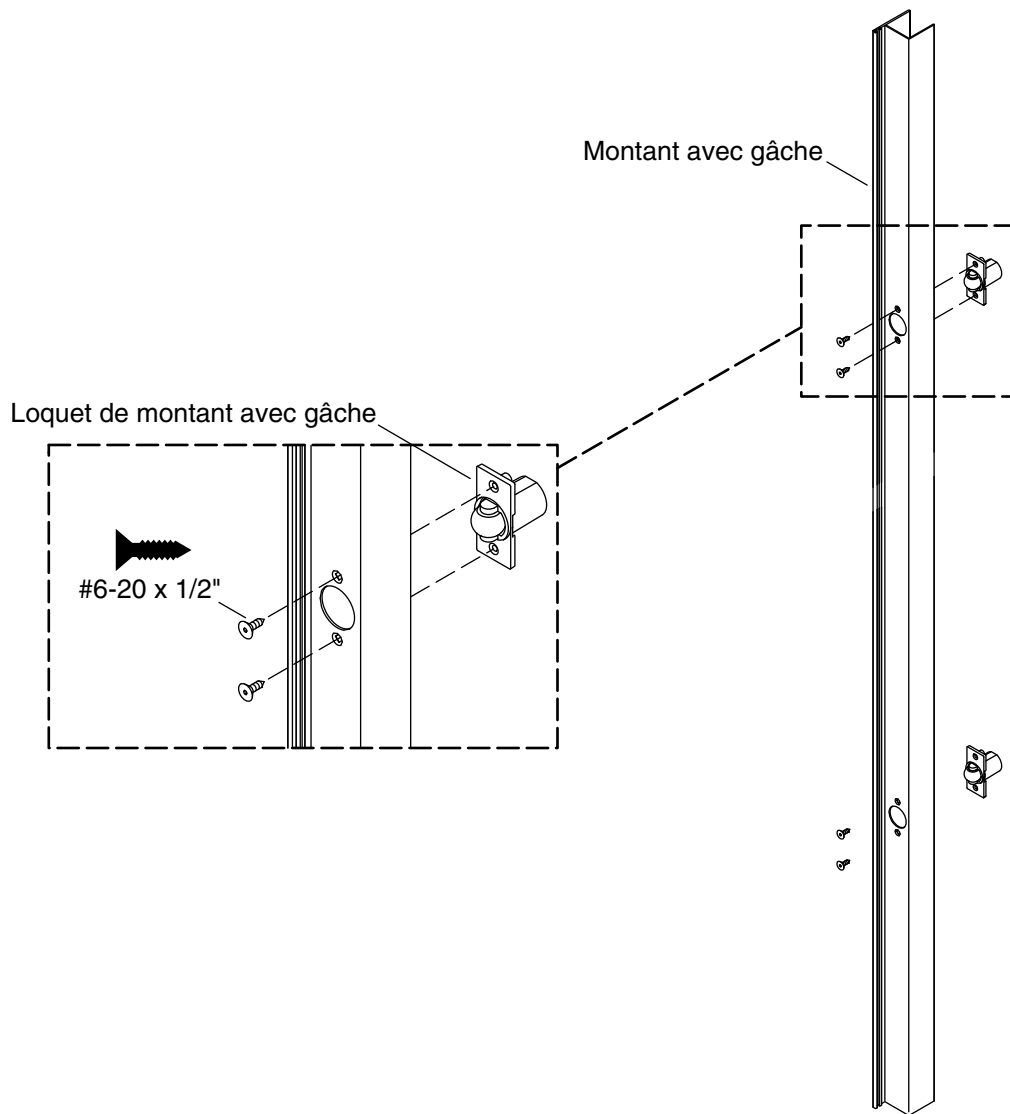


Vis #8-18 x1-1/2"

## 7. Installer les montants de mur

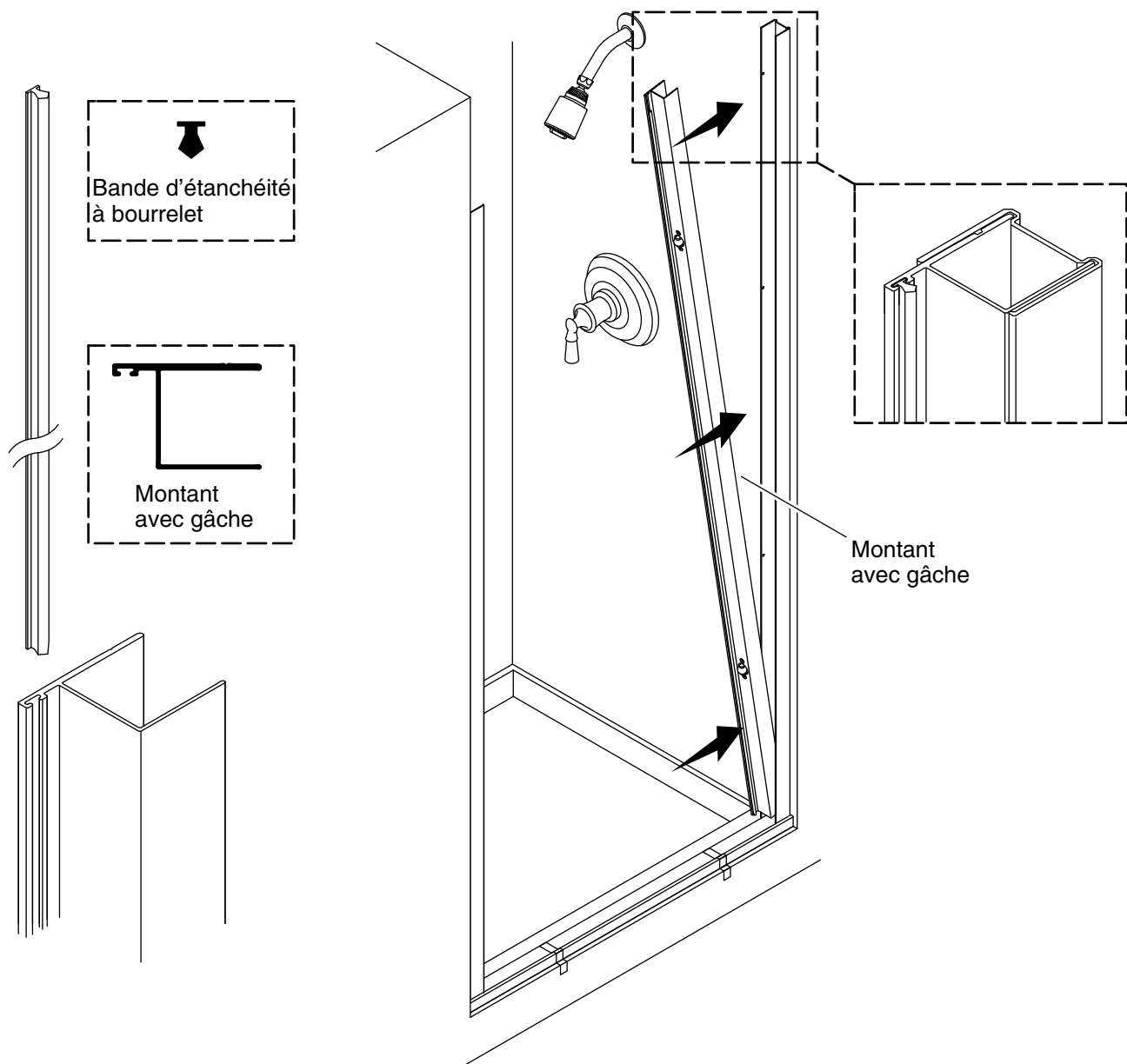
**IMPORTANT!** Les trous ronds se trouvant sur les montants de mur doivent être tournés vers l'intérieur de la douche.

- Remettre le montant de mur en place. Aligner le montant de mur sur les repères effectués auparavant.
- Sécuriser avec les quatre vis #8-18 x 1-1/2" fournies.
- Répéter pour le deuxième montant de mur.



## 8. Installer les loquets

- À l'aide de la clé hexagonale fournie, installer deux loquets dans le montant de mur avec gâche avec les vis #6-20 x 1/2" fournies.

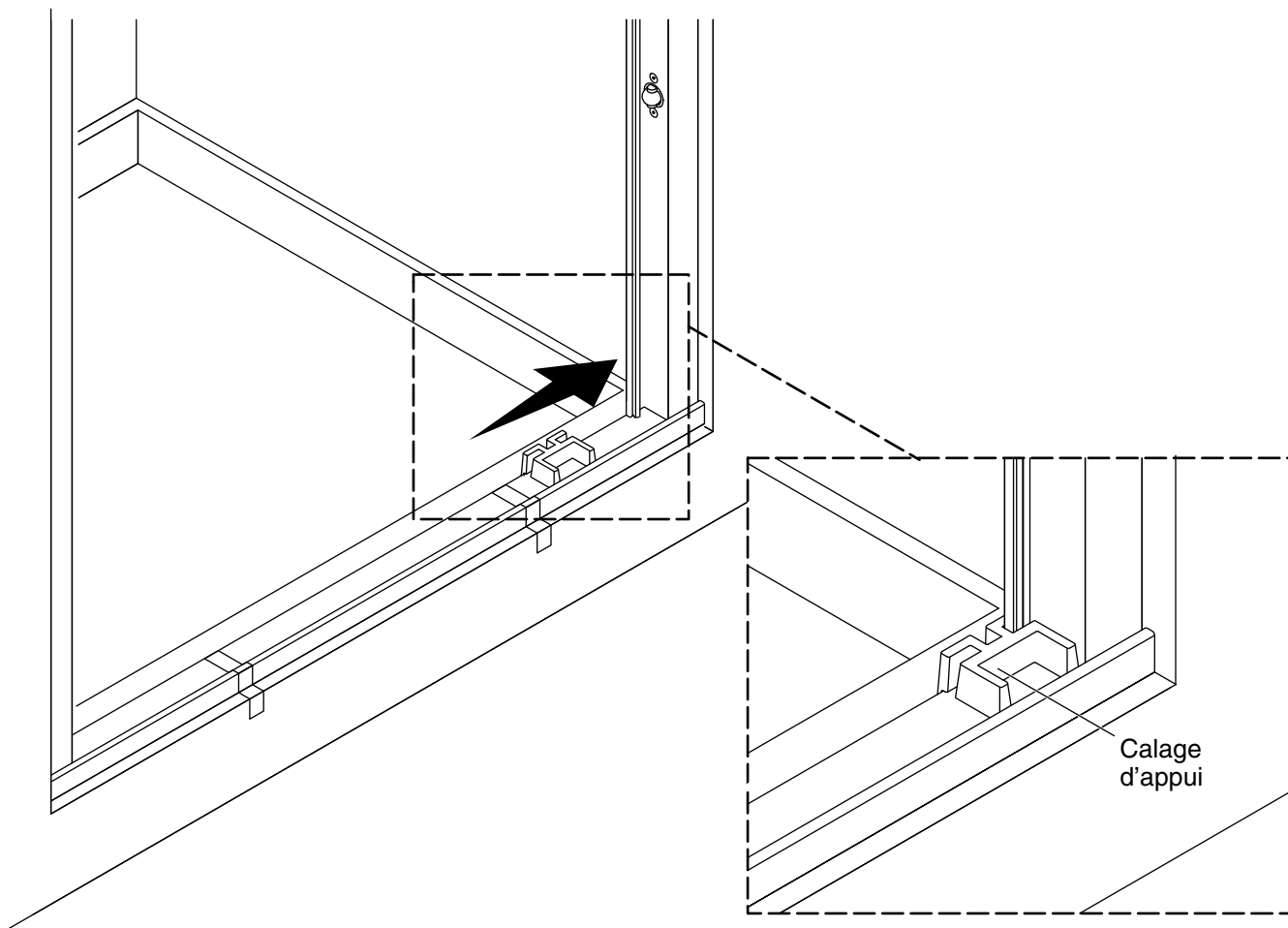


## 9. Installer le montant avec gâche

**IMPORTANT!** La configuration du pivot gauche est illustrée dans les étapes d'installation sauf sur indication contraire.

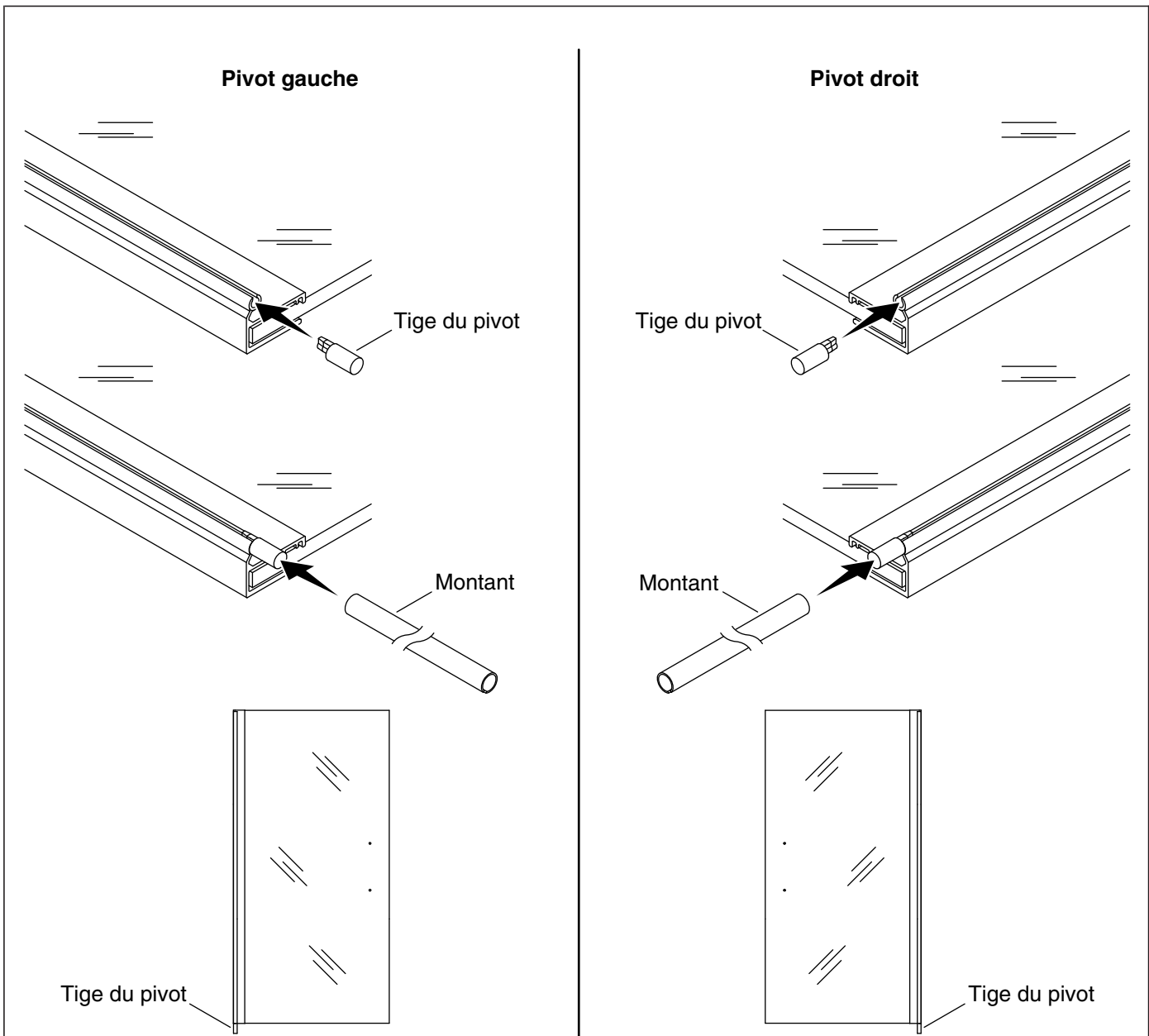
**IMPORTANT!** Ne pas installer les vis avant d'en avoir reçu les instructions.

- Glisser la bande d'étanchéité à bourrelet dans la fente en T se trouvant sur le montant avec gâche.
- En commençant dans le bas, adapter le montant avec gâche dans le montant de mur. Le montant avec gâche doit être entièrement assis sur le seuil et dans les limites du montant de mur.



## 10. Poser le calage d'appui

- Poser le calage d'appui sur le seuil, contre le montant avec gâche.

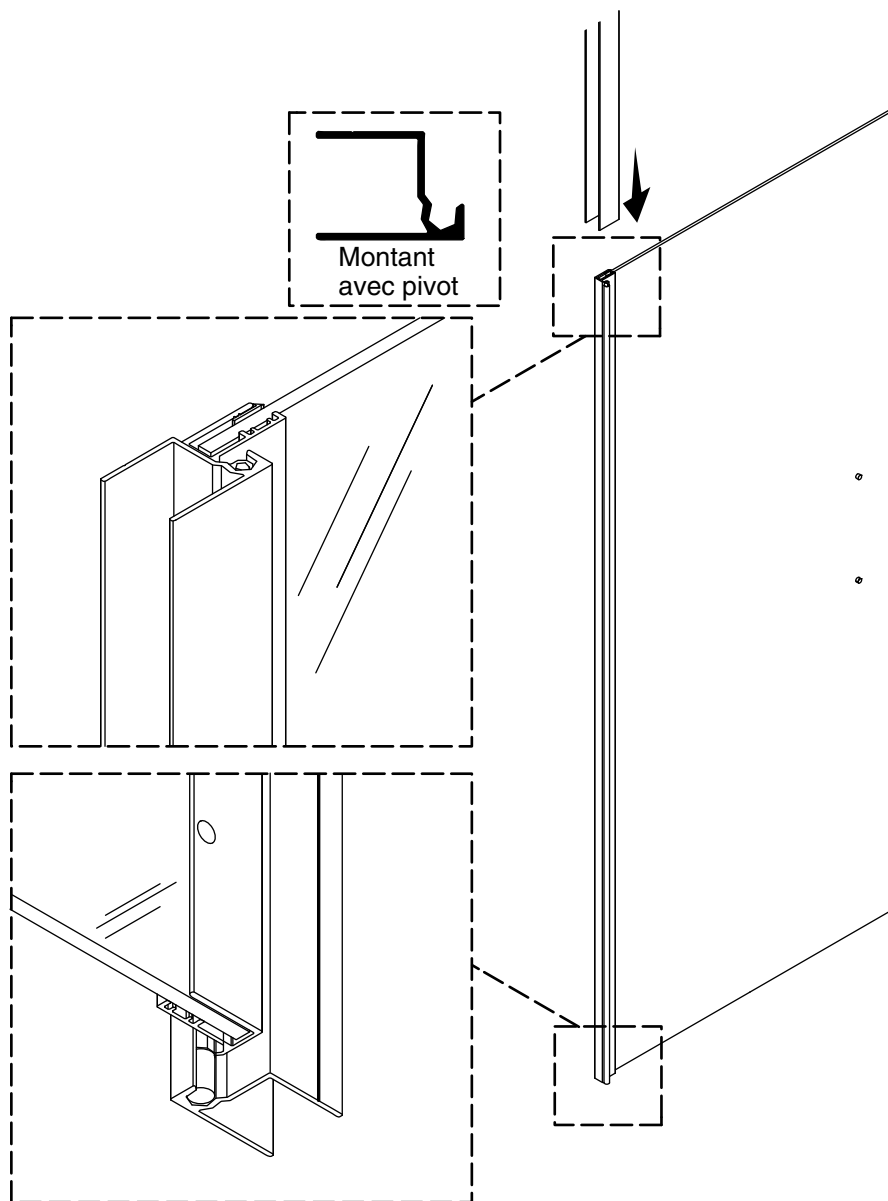


## 11. Assembler la ferrure d'articulation

**IMPORTANT!** Installer le manchon et la tige du pivot selon la configuration de la porte en question: pivot gauche ou pivot droit. Voir l'illustration.

**REMARQUE:** Le support du panneau à charnière peut être lubrifié avec de l'eau savonneuse pour faciliter l'installation du manchon.

- Enfoncez la tige du pivot dans le fond de la ferrure d'articulation. Voir l'illustration pour vérifier que la tige du pivot a été installée correctement selon la configuration de la porte en question.
- Étalez légèrement le manchon et le glissez par-dessus la tige du pivot et sur une partie circulaire du support du panneau à charnière de la porte.
- Glissez le manchon jusqu'au haut du support du panneau à charnière de la porte. S'assurer que le manchon ne couvre pas la tige du pivot après son installation.



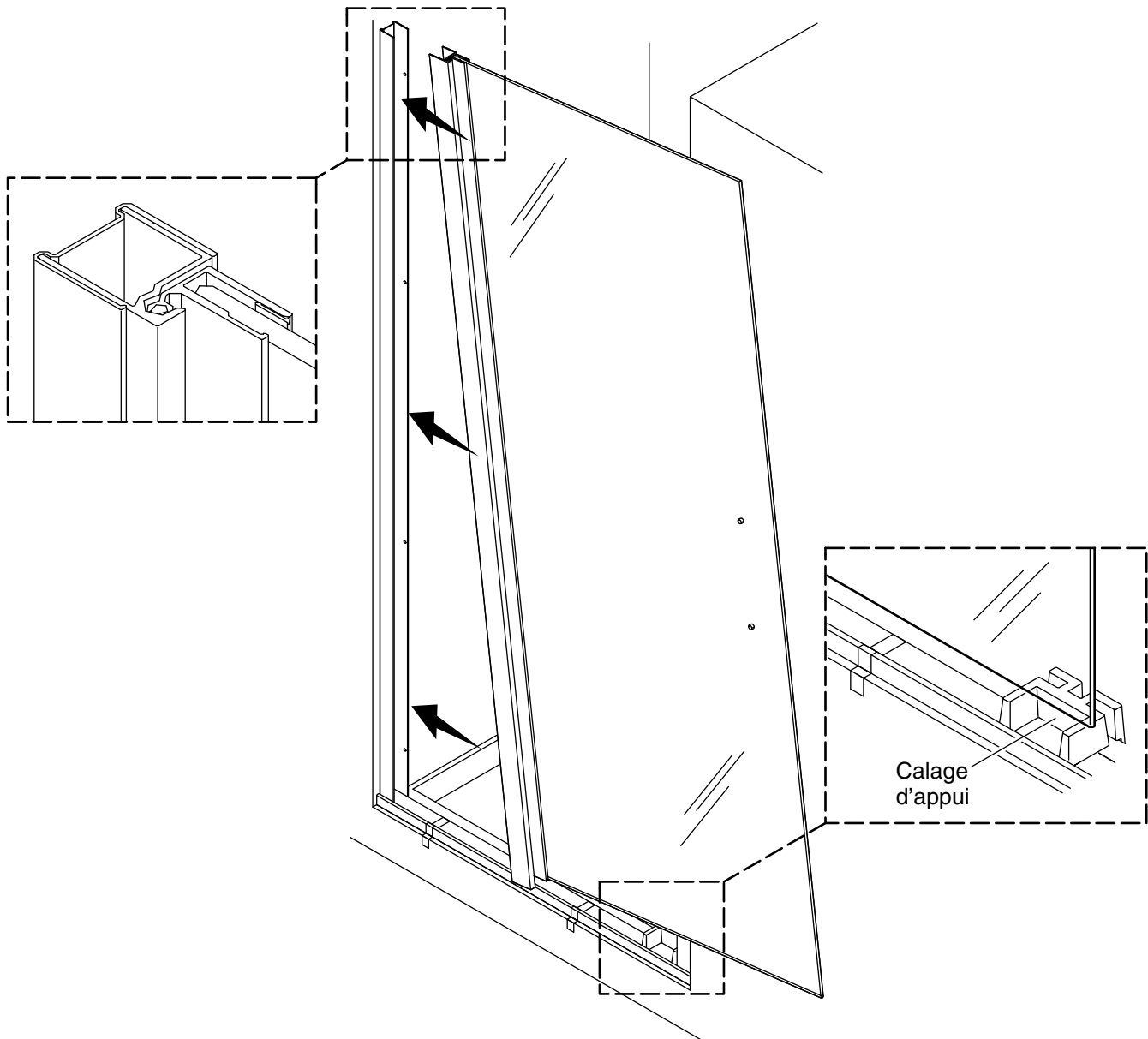
## 12. Assembler le montant avec pivot

**IMPORTANT!** Configuration de pivot gauche illustrée.

**REMARQUE:** Le manchon peut être lubrifié avec de l'eau savonneuse pour faciliter l'installation du montant avec pivot.

- Glisser le montant avec pivot sur la ferrure d'articulation.

**REMARQUE:** Le bas du montant avec pivot doit être à ras de la tige du pivot. Un écartement devrait être présent entre la partie inférieure du montant avec pivot et la partie inférieure de la ferrure d'articulation.

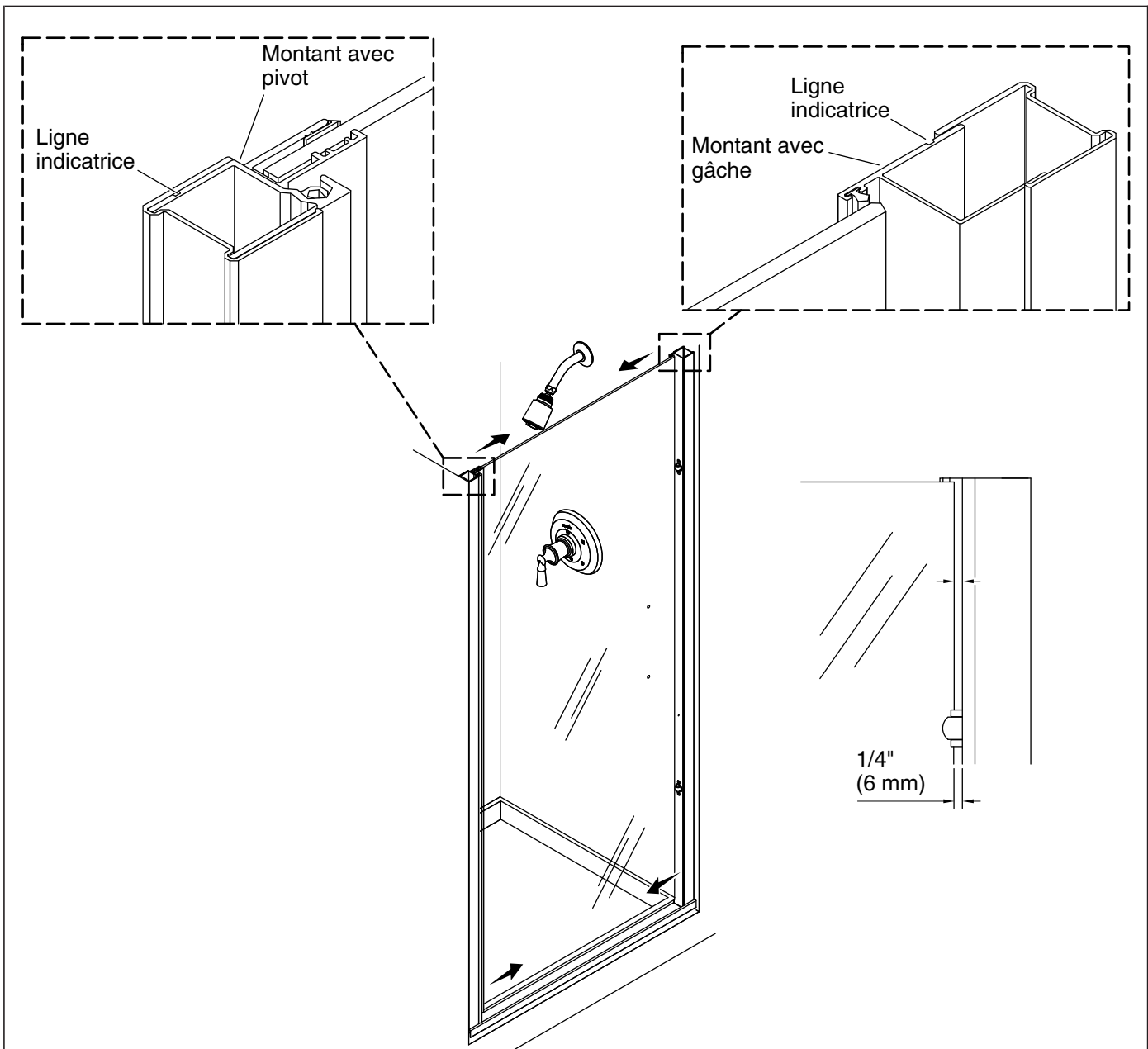


### 13. Installer le montant avec pivot

**IMPORTANT!** Ne pas installer les vis avant d'en avoir reçu les instructions.

- Avec de l'aide, commencer dans le haut et adapter l'ensemble de panneau et de montant avec pivot complètement dans les limites du montant de mur côté pivot.
- Avec le montant avec pivot installé, s'assurer que l'extrémité avec gâche du panneau de verre repose sur le calage d'appui.



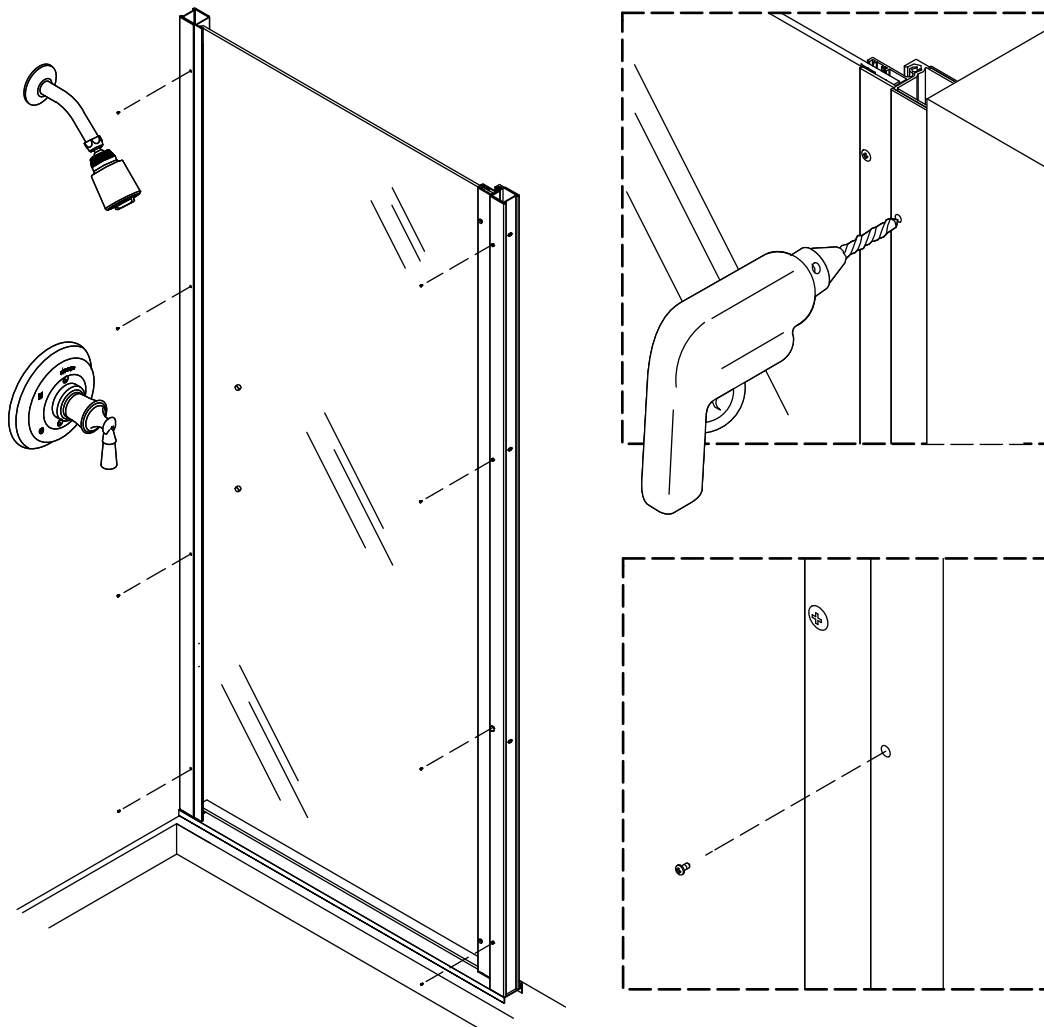


## 14. Ajuster les montants

- S'assurer que le montant avec pivot est entièrement assis dans les limites du montant de mur côté pivot et que l'extrémité du panneau de porte repose sur le calage d'appui.
- Déplacer le montant avec gâche vers l'extérieur jusqu'à ce que le bord du panneau de porte ne soit pas à plus de 1/4" (6 mm) de la surface du montant avec gâche.
- Un ajustement maximum est obtenu lorsque la ligne indicatrice sur le montant avec gâche est visible.
- Si l'ajustement maximum est atteint et que le bord du panneau de porte est à plus de 1/4" (6 mm) de la surface du montant avec gâche, déplacer le panneau de porte et le montant avec pivot vers l'extérieur.
- Un ajustement maximum du montant avec pivot est obtenu lorsque la ligne indicatrice sur le montant avec pivot est visible.

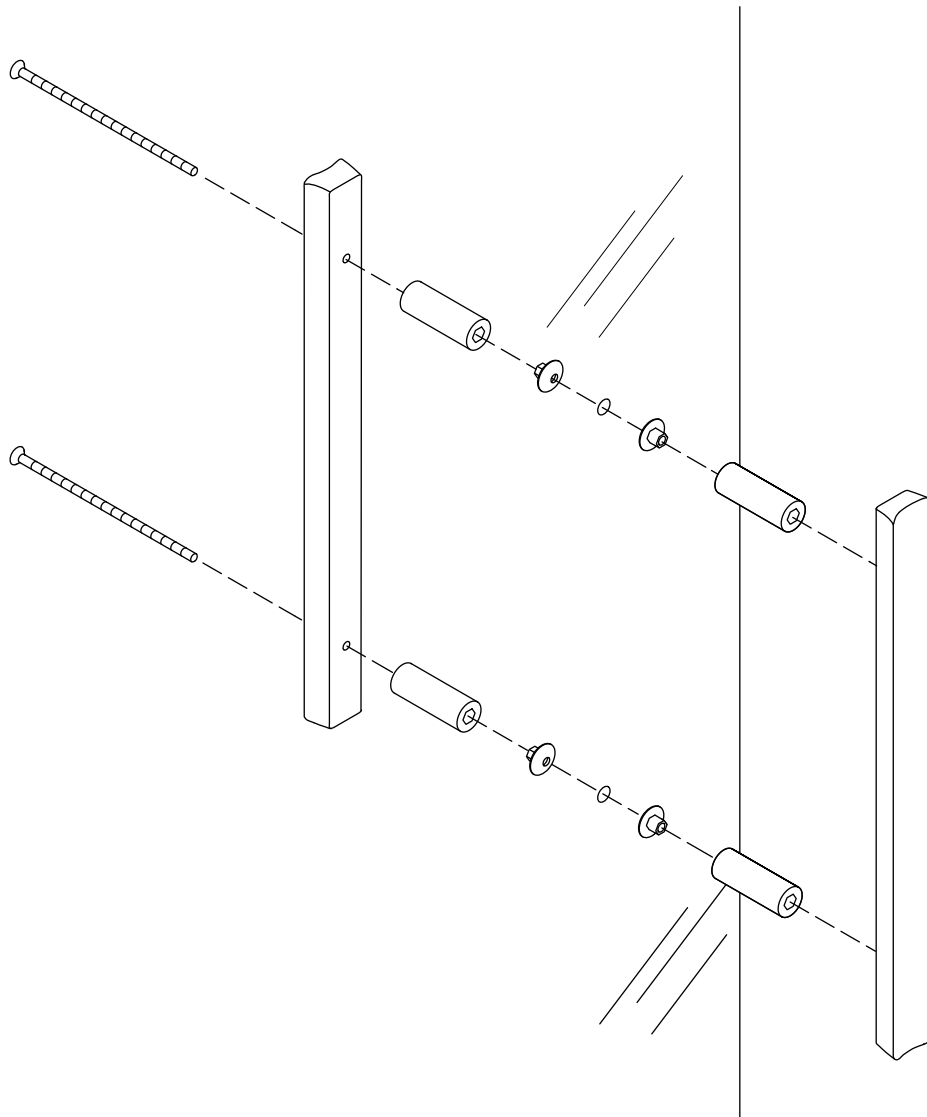
### **Ajuster les montants (cont.)**

- S'assurer que le montant avec pivot et le montant avec gâche sont d'aplomb et de niveau et qu'ils reposent sur le seuil.



## 15. Sécuriser les montants

- À partir de l'intérieur de la douche, percer des trous pilotes de 9/64" dans le montant avec pivot aux emplacements des trous situés dans le montant de mur.
- Sécuriser le montant avec pivot en faisant passer les vis #8-18 x 3/8" fournies par les trous.
- Retirer le calage d'appui.
- Vérifier que la porte se ferme tel que souhaité. Ajuster le montant avec gâche au besoin.
- À partir de l'intérieur de la douche, percer des trous pilotes de 9/64" dans le montant avec gâche aux emplacements des trous situés dans le montant de mur.
- Sécuriser le montant avec gâche en faisant passer les vis #8-18 x 3/8" fournies par les trous.

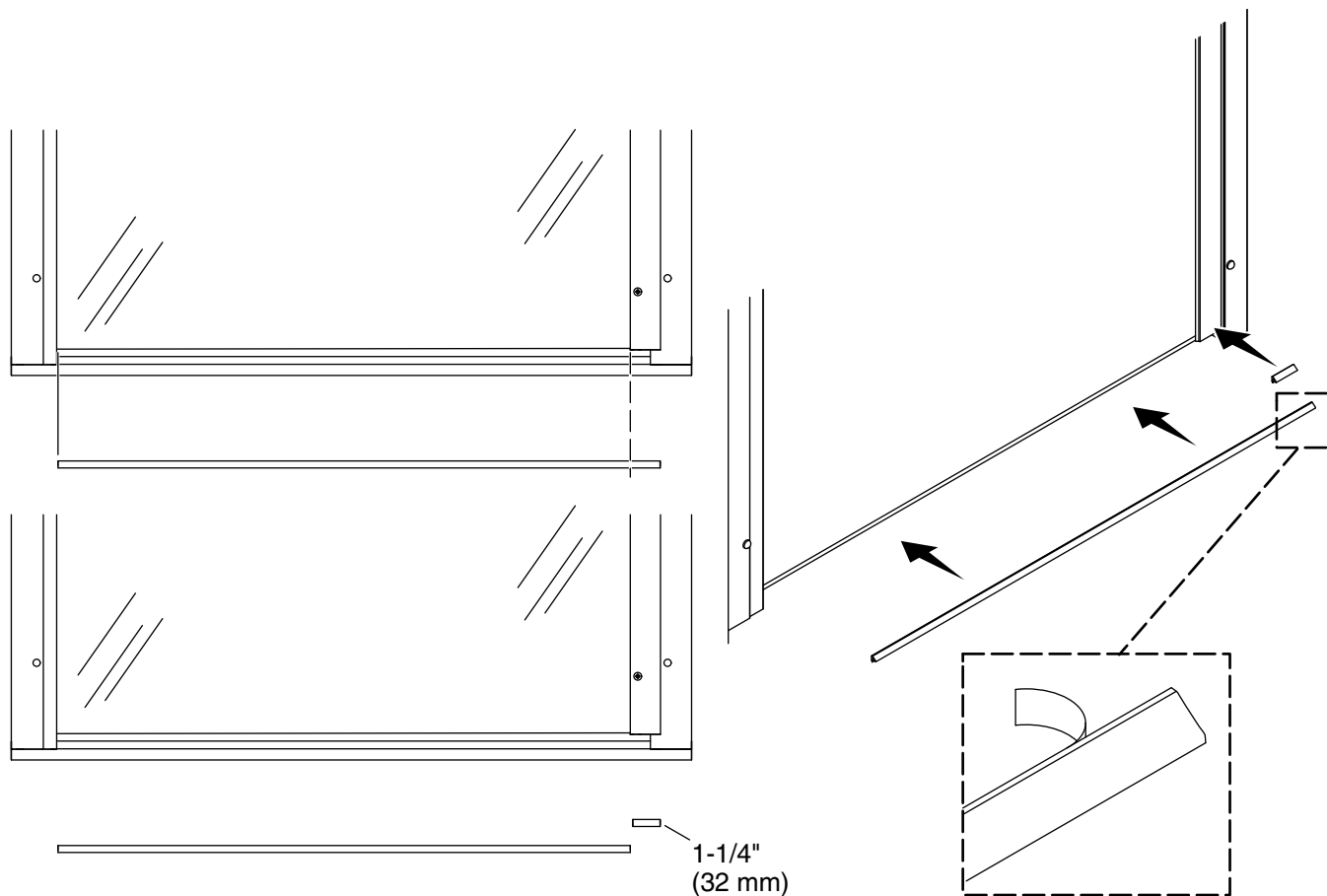


## 16. Installer les poignées

**REMARQUE:** La poignée illustrée pourrait être différente de celle qui est incluse dans la porte de douche en question.

□ Assembler la poignée en utilisant la clé hexagonale fournie. **Ne pas trop serrer!**

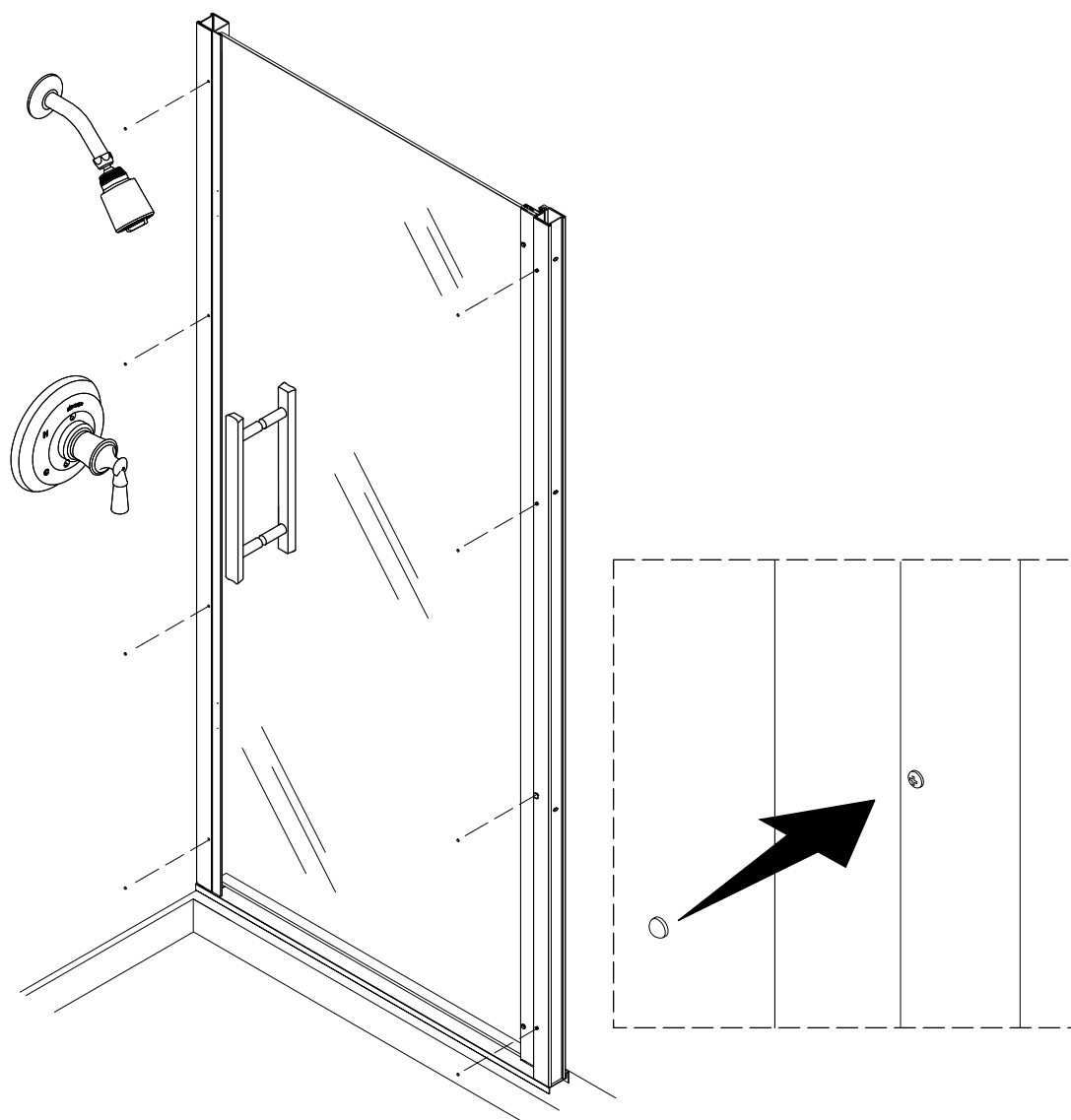
**REMARQUE:** Les têtes de vis exposées sont tournées vers l'intérieur de la douche.



## 17. Installer le joint d'étanchéité inférieur

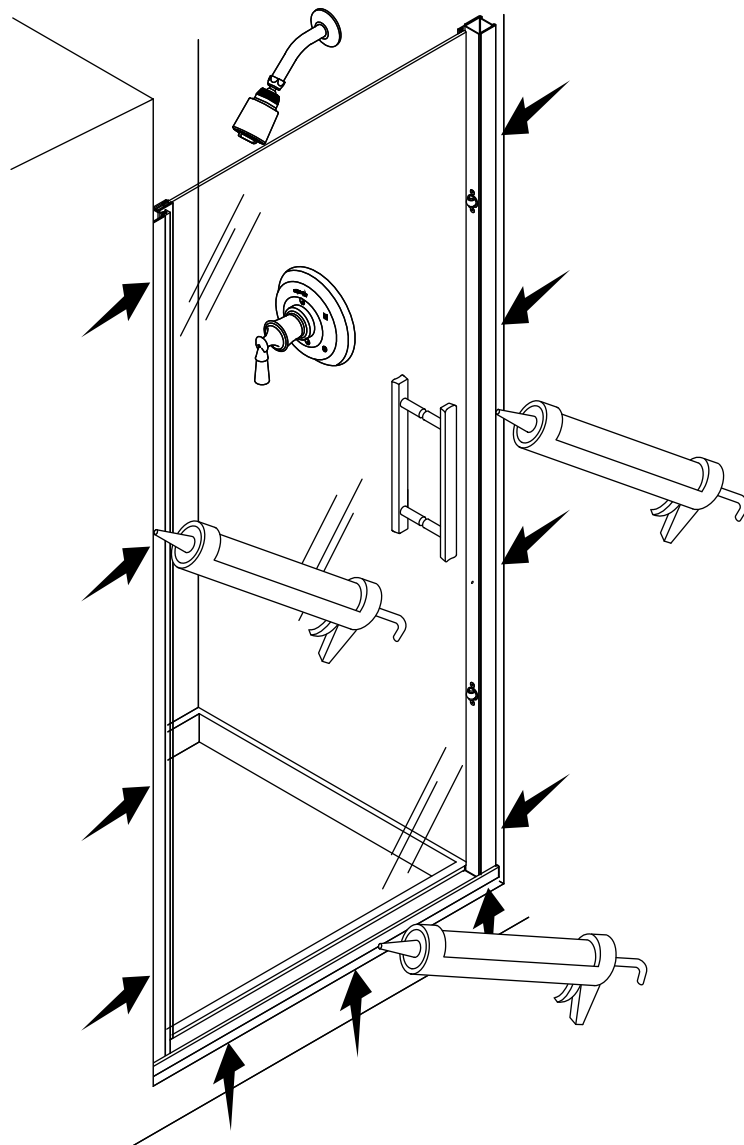
**IMPORTANT!** Si le joint perd sa forme lorsqu'il est sorti de l'emballage, immerger le joint dans de l'eau chaude jusqu'à ce qu'il ait regagné sa forme adéquate.

- Mesurer le panneau de verre entre la ferrure d'articulation et le montant avec gâche.
- Couper le joint d'étanchéité inférieur à cette longueur.
- En commençant au support avec charnière, installer la longueur coupée du joint d'étanchéité inférieur sur le bord inférieur de l'intérieur du panneau de verre. Le joint d'étanchéité ne doit pas interférer avec le joint d'étanchéité à bourrelet.
- Couper 1-1/4" du joint d'étanchéité inférieur excessif et installer sur le bord inférieur de l'intérieur de la ferrure d'articulation.



## 18. Installer les couvercles des têtes de vis

- Installer les couvercles des têtes de vis sur les vis du montant de mur.



## 19. Sceller le seuil et les montants de mur

- Retirer le ruban du seuil.
- Appliquer du mastic à la silicone à 100% sur les bords extérieurs.

## Entretien et nettoyage

Pour obtenir les meilleurs résultats possibles, prendre ce qui suit en considération lors de l'entretien de votre produit STERLING:

- Utiliser un racloir en caoutchouc après chaque douche afin d'éliminer les taches d'eau sur l'intérieur des panneaux en verre.
- Pour les surfaces en verre, utiliser un nettoyant pour verre de qualité et un chiffon propre pour nettoyer la surface du miroir. Suivre avec précaution les instructions du fabricant du nettoyant de verre.

## Entretien et nettoyage (cont.)

- Essuyer de temps en temps les portes avec un détergent doux dilué dans de l'eau afin de conserver l'aspect neuf des panneaux en verre et des pièces en aluminium anodisé.
- Ne jamais utiliser de brosses en soies, d'éponges abrasives, de poudre à récurer ou des instruments tranchants sur du travail métallique ou des panneaux de verre. Ils peuvent rayer certaines surfaces en métal et en verre.
- Sur les surfaces métalliques, ne jamais utiliser de nettoyants abrasifs contenant de l'ammoniaque, de l'eau de Javel, des acides, des cires, des alcools ou des solvants car ces produits peuvent endommager la finition. L'utilisation d'agents nettoyants puissants pourrait annuler les obligations de garantie de Sterling.
- Ne pas laisser les nettoyants reposer sur les surfaces ou tremper sur celles-ci.
- Pour éviter des dépôts savonneux ou l'accumulation de tartre en présence d'eau dure, veiller à essuyer la porte avec un chiffon doux après chaque utilisation, comme on s'essuie les mains avec une serviette.
- Rincer et essuyer les accessoires de plomberie après le nettoyage pour éviter les dépôts savonneux.

Pour obtenir des informations détaillées sur le nettoyage et les produits à considérer, consulter le site [www.sterlingplumbing.com/care-and-cleaning](http://www.sterlingplumbing.com/care-and-cleaning). Pour commander des renseignements sur le nettoyage, appeler le 1-800-456-4537.

## Dépannage

### Tableau de dépannage

Symptômes	Cause probable	Action recommandée
1. Le montant avec pivot tombe de la ferrure d'articulation.	A. Le manchon est usé ou n'est pas installé.	A. Installer le manchon. Se reporter à la section "Assembler la ferrure d'articulation".
2. La porte ne se ferme pas correctement.	A. Le montant avec pivot ou le montant avec gâche n'est pas installé correctement sur le montant de mur.	A. Installer correctement le montant avec pivot ou le montant avec gâche sur le montant de mur. Se reporter aux sections "Positionner le montant avec gâche" et "Installer le montant avec pivot".
3. La porte s'ouvre et se ferme avec difficulté.	A. Le montant avec pivot ou le montant avec gâche n'est pas ajusté correctement.	A. Ajuster le montant avec pivot ou le montant avec gâche. Se reporter aux sections "Ajuster les montants" et "Sécuriser les montants".
4. La porte entre en contact avec le seuil.	A. La tige du pivot n'est pas installée. B. Le panneau de porte n'est pas ajusté correctement.	A. Vérifier que la tige du pivot est installée. Se reporter à la section "Assembler la ferrure d'articulation". B. Ajuster le montant avec pivot pour que le panneau de porte s'ouvre de manière égale et qu'il n'entre pas en contact avec le seuil. Se reporter à la section "Ajuster les montants".
5. Fuites d'eau.	A. Il y a des fuites d'eau sous le panneau de porte. B. Il y a des fuites d'eau au-delà du montant avec gâche.	A. Vérifier que le joint d'étanchéité inférieur est en place. Se reporter à la section "Installer le joint d'étanchéité inférieur". B. Ajuster le montant avec gâche de manière à ce que le panneau de porte entre en contact avec le joint d'étanchéité. Se reporter à la section "Ajuster les montants".



## Dépannage (cont.)

### Tableau de dépannage

Symptômes	Cause probable	Action recommandée
	<p>C. Fuites d'eau sous le seuil.</p> <p>D. Il y a des fuites d'eau entre le montant de mur et le mur.</p>	<p>C. À partir de l'extérieur de la douche, appliquer du mastic à la silicone à 100% à l'emplacement où le seuil entre en contact avec le rebord de la douche. Se reporter à la section "Sceller le seuil et les montants de mur".</p> <p>D. À partir de l'extérieur de la douche, appliquer du mastic à la silicone à 100% à l'emplacement ou le montant de mur entre en contact avec le mur. Se reporter à la section "Sceller le seuil et les montants de mur".</p>

## Garantie

### Limitée de 5 ans

*SP2375*      *Série 6300*  
*Série 5300*      *Série 6500*  
*Série 5400*      *Série 58000*  
*Série 5600*

### Limitée de 3 ans

*Série 1500*      *Série 4800*  
*Série 2200*      *Série 4900*  
*Série 4600*      *Série 5900*  
*Série 4700*      *Série 57000*

### Limitée de 1 an

*Série 500*      *Série 3100*  
*Série 660*  
*Série 670*  
*Série 690*

Selon la classification précisée ci-dessus, les portes de baignoire et de douche STERLING sont couvertes par une garantie limitée contre tout défaut de fabrication à partir de la date d'achat et pour la période de garantie indiquée pour le produit.

Si un vice est découvert au cours d'une utilisation normale, Kohler Co. choisira, à sa discrétion, la réparation, le remplacement ou la rectification de l'appareil, après inspection par Kohler Co. durant la période susmentionnée. Si le remplacement est nécessaire, Kohler Co. n'est pas responsable des frais d'enlèvement ou d'installation. Les dommages causés par une manipulation incorrecte, une installation erronée ou un entretien non adéquat ne sont pas considérés comme étant des vices de fabrication, et ne sont pas couverts par la présente garantie. Cette garantie est valide pour l'acquéreur d'origine uniquement.

Pour obtenir le service de garantie, contacter Sterling, par l'intermédiaire du plombier, centre de rénovation, revendeur ou distributeur, ou par téléphone ou par écrit, à l'adresse suivante: Sterling, Consumer Services, 444 Highland Drive, Kohler, Wisconsin 53044, 1-800-783-7546.

**DANS LA MESURE PRÉVUE PAR LA LOI, TOUTES LES GARANTIES TACITES, Y COMPRIS CELLES DE COMMERCIALITÉ ET D'ADAPTATION À UN USAGE PARTICULIER, SONT REJETÉES PAR LA PRÉSENTE. KOHLER CO. ET LE REVENDEUR DÉCLINENT PAR LES PRÉSENTES TOUTE RESPONSABILITÉ EN CAS DE DOMMAGES PARTICULIERS, ACCESSOIRES OU INDIRECTS.**

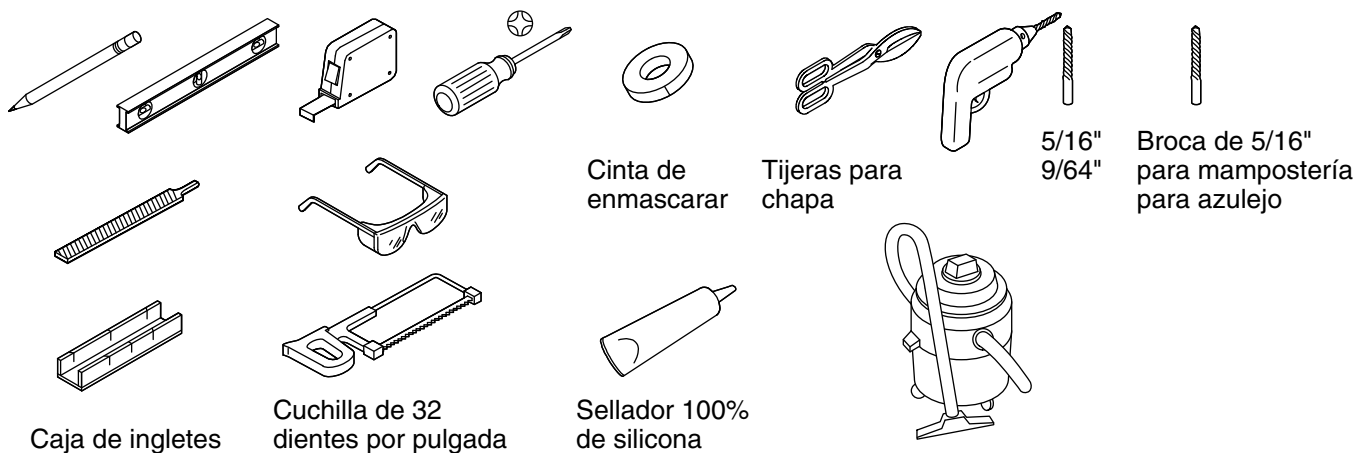
Certains états et provinces ne permettent pas de limite sur la durée de la garantie tacite, ni l'exclusion ou la limite des dommages particuliers, accessoires ou indirects, et, par conséquent, lesdites limites et exclusions peuvent ne pas s'appliquer à votre cas. Cette garantie vous donne des droits juridiques particuliers. Vous pouvez également avoir d'autres droits qui varient d'un État ou d'une province à l'autre.

**Ceci constitue la garantie écrite exclusive de Kohler Co.**








# Guía de instalación y cuidado

## Puerta pivotante de ducha

### Herramientas y materiales



### Antes de comenzar

-  **ADVERTENCIA: Riesgo de lesiones graves.** Daños anteriores a la instalación pueden ocasionar que el vidrio se quiebre en pedazos. Antes de hacer la instalación revise el vidrio y todas las piezas para ver si presentan daños.
-  **ADVERTENCIA: Riesgo de lesiones graves.** Si la instalación se hace de manera incorrecta, el vidrio podría quebrarse en pedazos. Siga todas las instrucciones de instalación.
-  **ADVERTENCIA: Riesgo de lesiones graves.** No corte el vidrio templado. El vidrio templado se quiebra en pedazos si se corta.
-  **ADVERTENCIA: Riesgo de lesiones graves.** Los paneles de puerta y los paneles laterales de la ducha podrían quebrarse en pedazos. Revise con regularidad el vidrio y todas las piezas para ver si presentan daños, si algo falta o si hay piezas sueltas.
-  **ADVERTENCIA: Riesgo de lesiones graves.** Siempre utilice anteojos de seguridad al cortar y al taladrar.
-  **ADVERTENCIA: Riesgo de lesiones personales.** No corte el vidrio templado. Si corta el vidrio, éste se quebrará en pedazos y podría causar lesiones personales.
-  **ADVERTENCIA: Riesgo de lesiones personales o daños al producto.** El vidrio templado sin marco no debe hacer contacto con superficies duras, pues podría quebrarse en pedazos. No toque el borde de un panel de vidrio templado con herramientas ni con ningún otro objeto duro. No ponga el vidrio templado sin marco directamente en el piso.

**¡IMPORTANTE!** Esta puerta está diseñada para paredes que estén a menos de 3/8" (10 mm) de estar completamente a plomo. Verifique que el área donde se vaya a instalar la puerta esté a menos de 3/8" (10 mm) de estar a plomo. Es posible que la puerta no funcione correctamente si la pared está fuera de plomo más de 3/8" (10 mm).

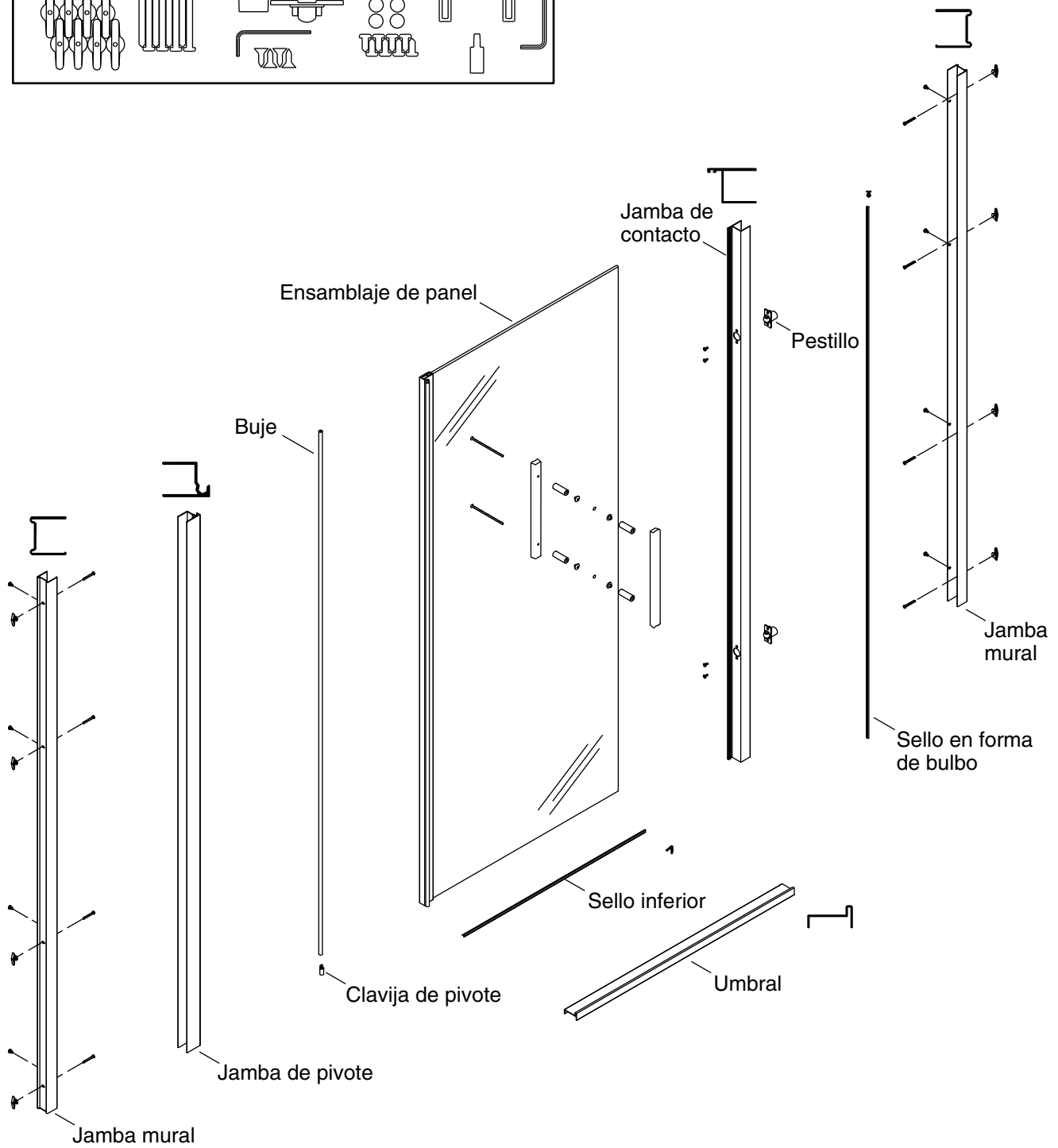
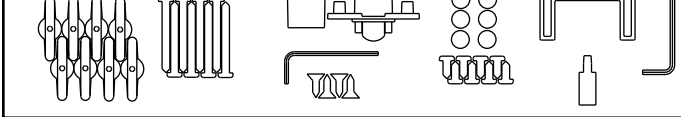
**¡IMPORTANTE!** Deje este manual para el usuario final. Lea estas instrucciones antes de instalar o de utilizar este producto.

### **Antes de comenzar (cont.)**

- Su nueva puerta de ducha Sterling se puede instalar para que abra hacia la derecha o hacia la izquierda. Para obtener mejores resultados, instale la puerta con el lado pivotante alejado de la cabeza de ducha.
- Antes de iniciar la instalación, separe e identifique todas las piezas. Revise que no estén dañadas.
- Para evitar daños, durante la instalación proteja el piso de la ducha con una lona.
- En este momento se debe instalar y preparar la base de la ducha, además de los materiales de la pared acabada.
- Siga con cuidado las instrucciones que corresponden a la aplicación de sellador en la puerta. Si sella áreas distintas a las que se indican, podrían ocasionarse fugas.
- Dos personas deben hacer esta instalación.

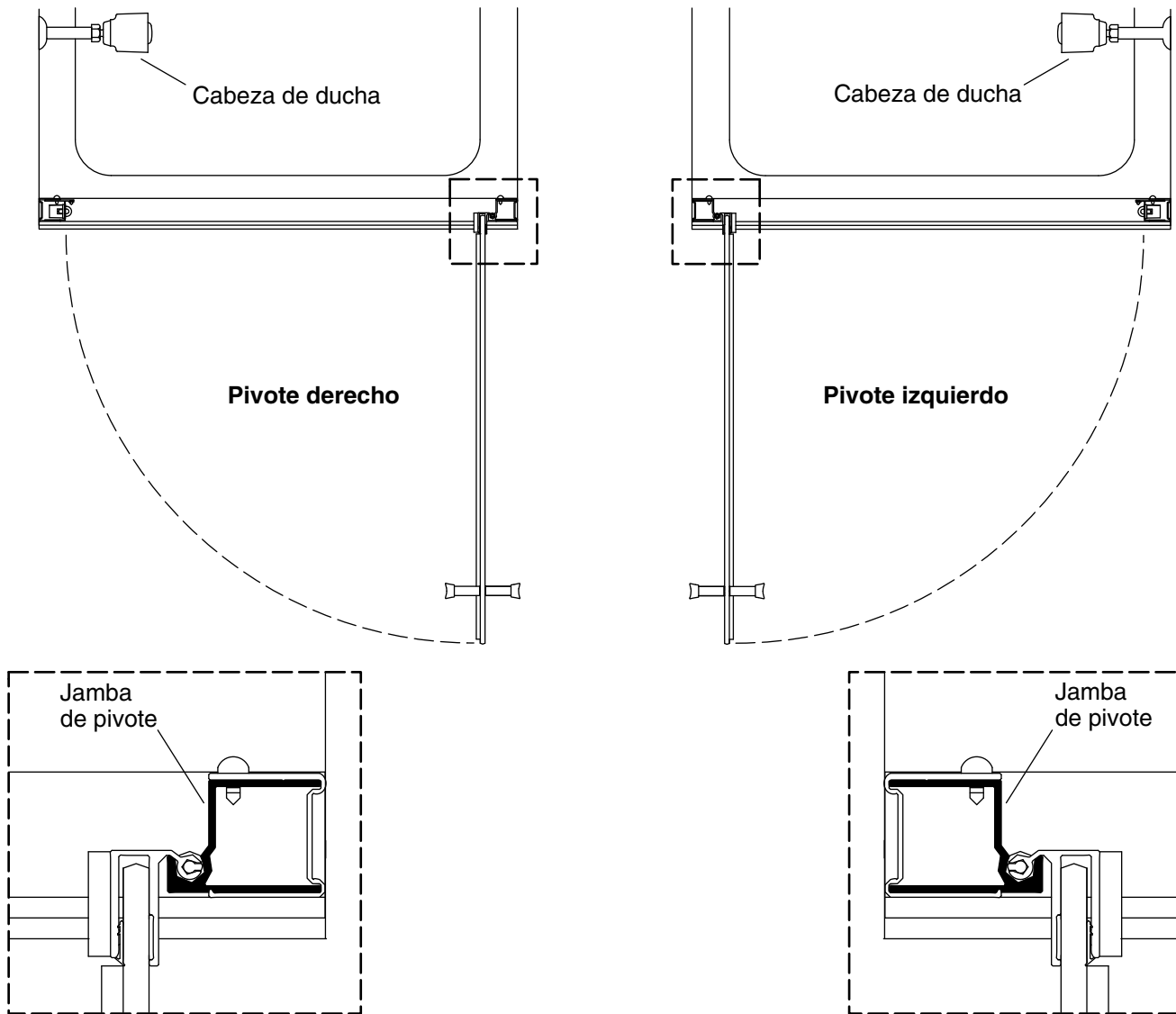
1319191

Paquete de herrajes



## Identificación de piezas

## Vista superior

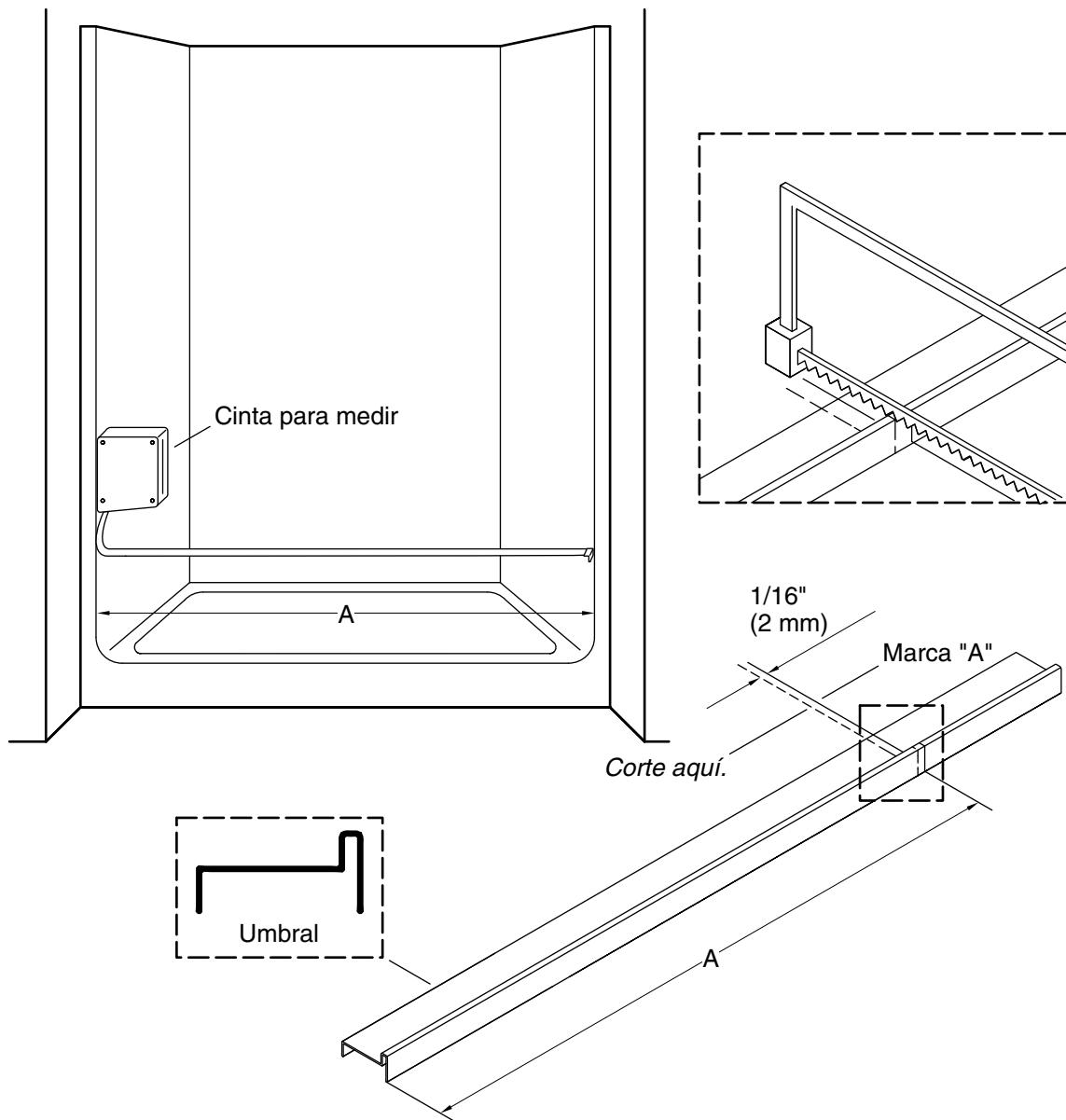


### 1. Determine la configuración de la puerta

¡IMPORTANTE! Instale la jamba de pivote de la puerta en el lado opuesto a la cabeza de ducha.

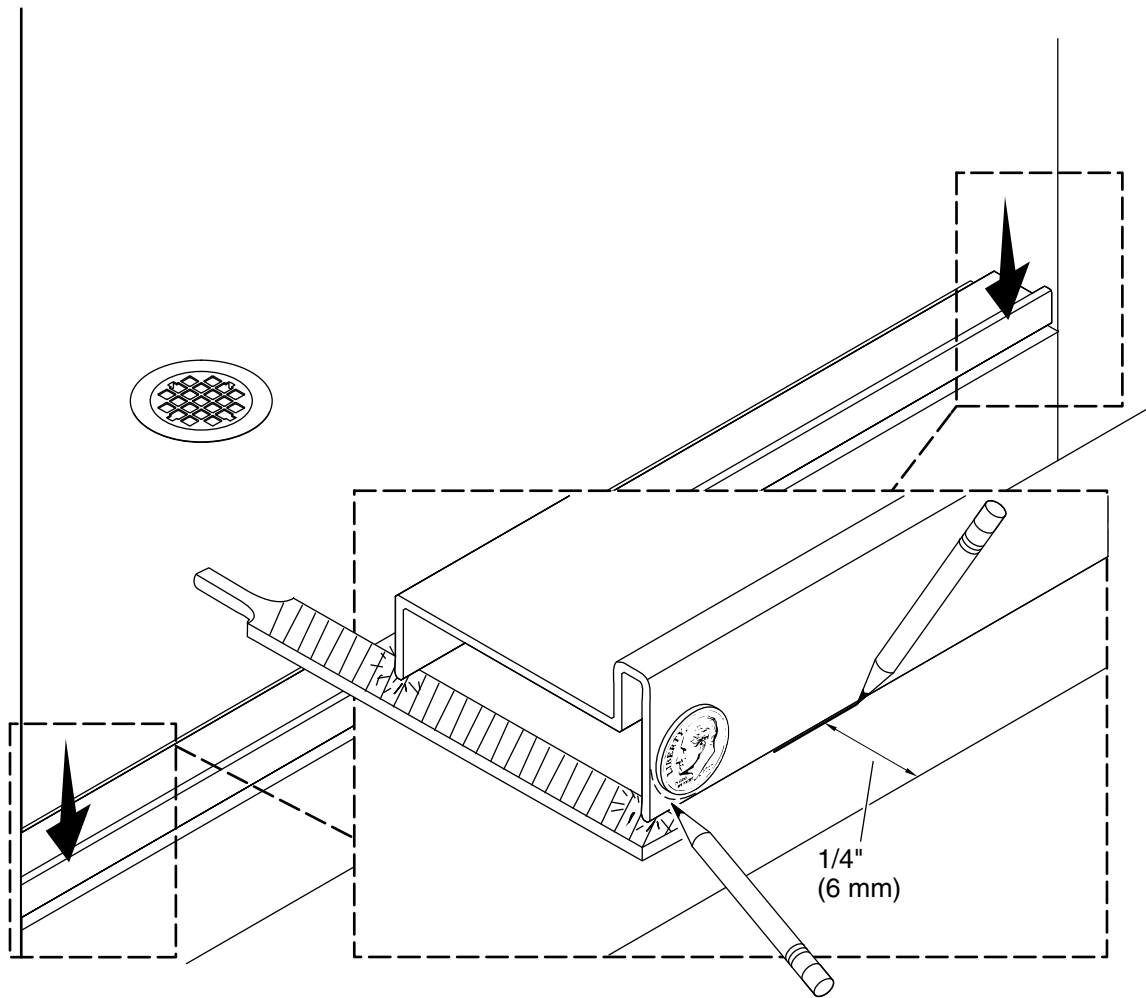
¡IMPORTANTE! En los pasos de instalación se ilustra la configuración con pivote en el lado izquierdo, a menos que se indique lo contrario.

- Determine si la puerta va a ser instalada con el pivote a la derecha o a la izquierda.



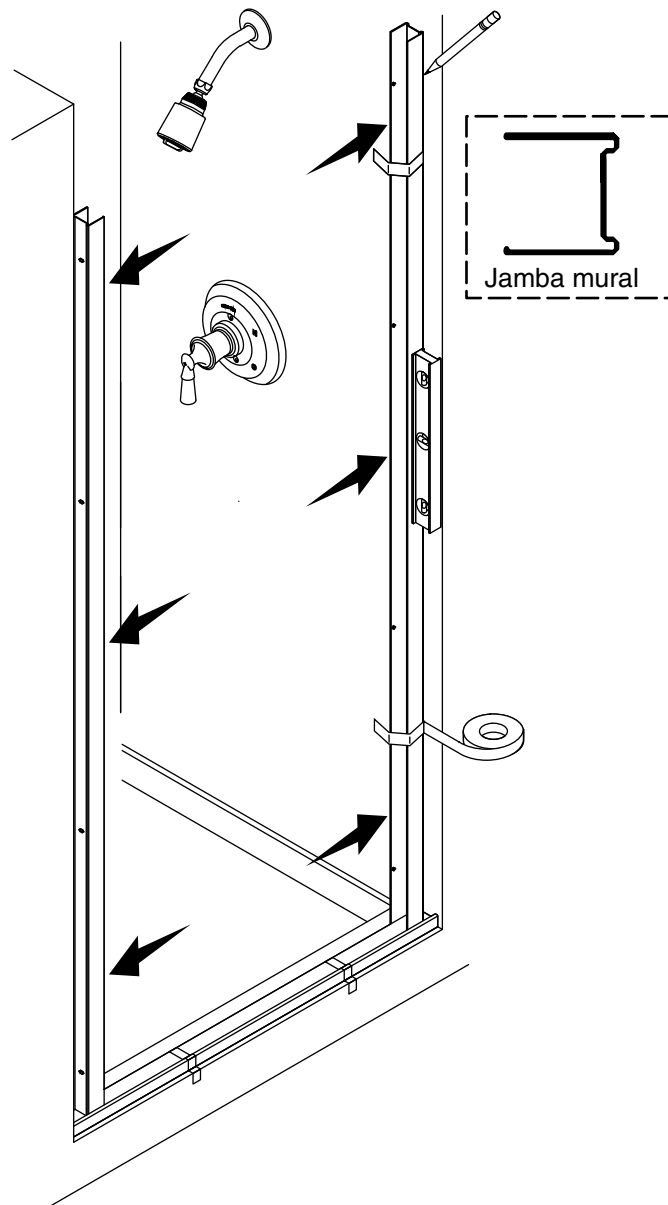
## 2. Mida y corte el umbral

- Cubra el desagüe con cinta de enmascarar para evitar perder piezas pequeñas.
- Proteja la superficie de la ducha con una lona.
- Mida la distancia "A" entre las paredes de la ducha, y márkela en el umbral.
- Mida 1/16" (2 mm), o el ancho de una hoja de sierra, a partir de "A" y haga una segunda marca en el umbral, como se muestra.
- Corte el umbral en la segunda marca y lime los bordes ásperos.



### 3. Coloque el umbral en su lugar

- De ser necesario, lime los extremos del umbral para que ajusten a la pared de la ducha. Con una moneda iguale y copie el radio de las esquinas.
- Coloque el umbral a 1/4" (6 mm) a todo lo largo del borde exterior del reborde de la ducha. Marque la ubicación.
- Sostenga el umbral en su lugar con cinta adhesiva.

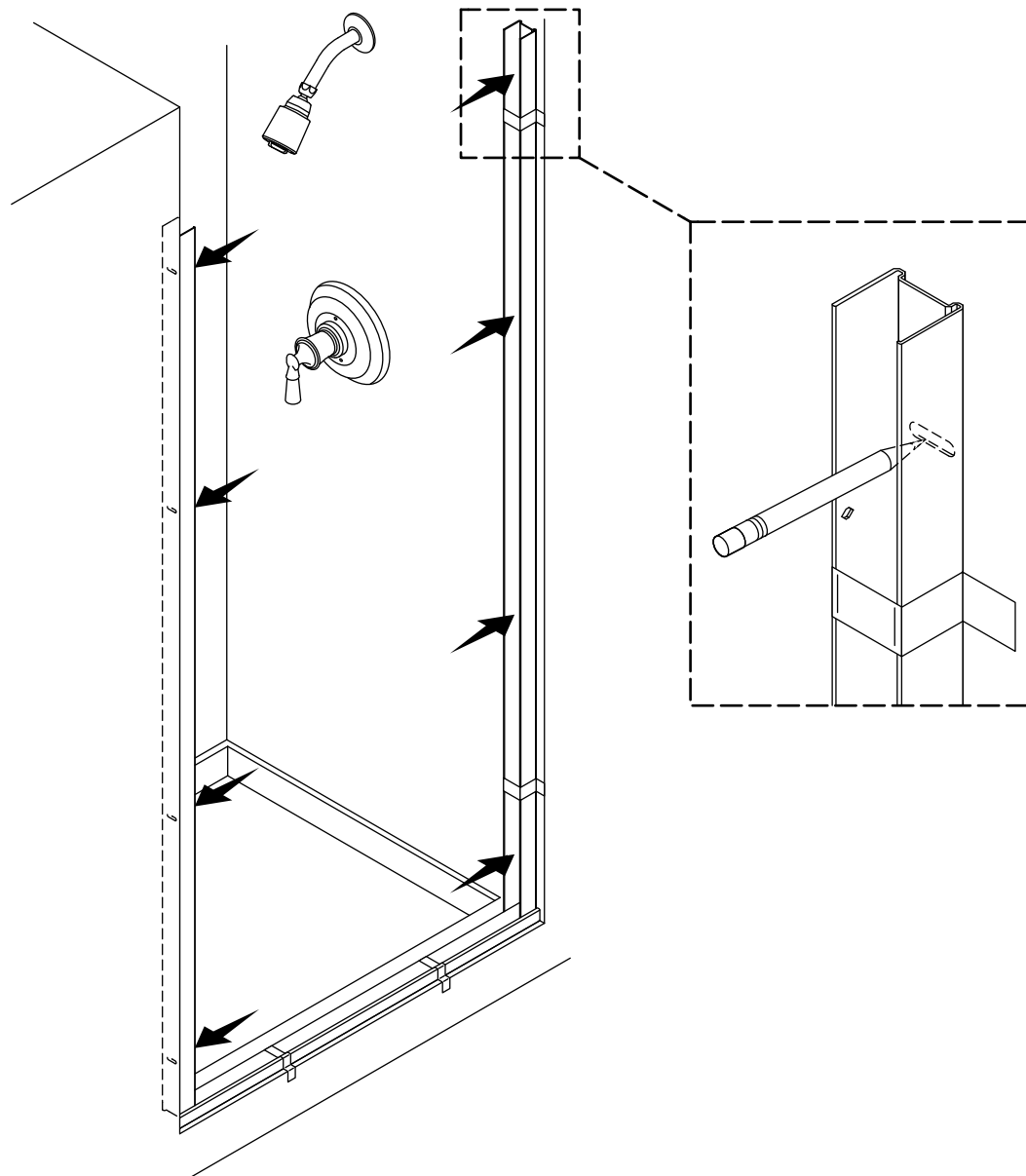


#### 4. Coloque las jambas murales

¡IMPORTANTE! Las jambas murales deben quedar justas contra el umbral y las paredes.

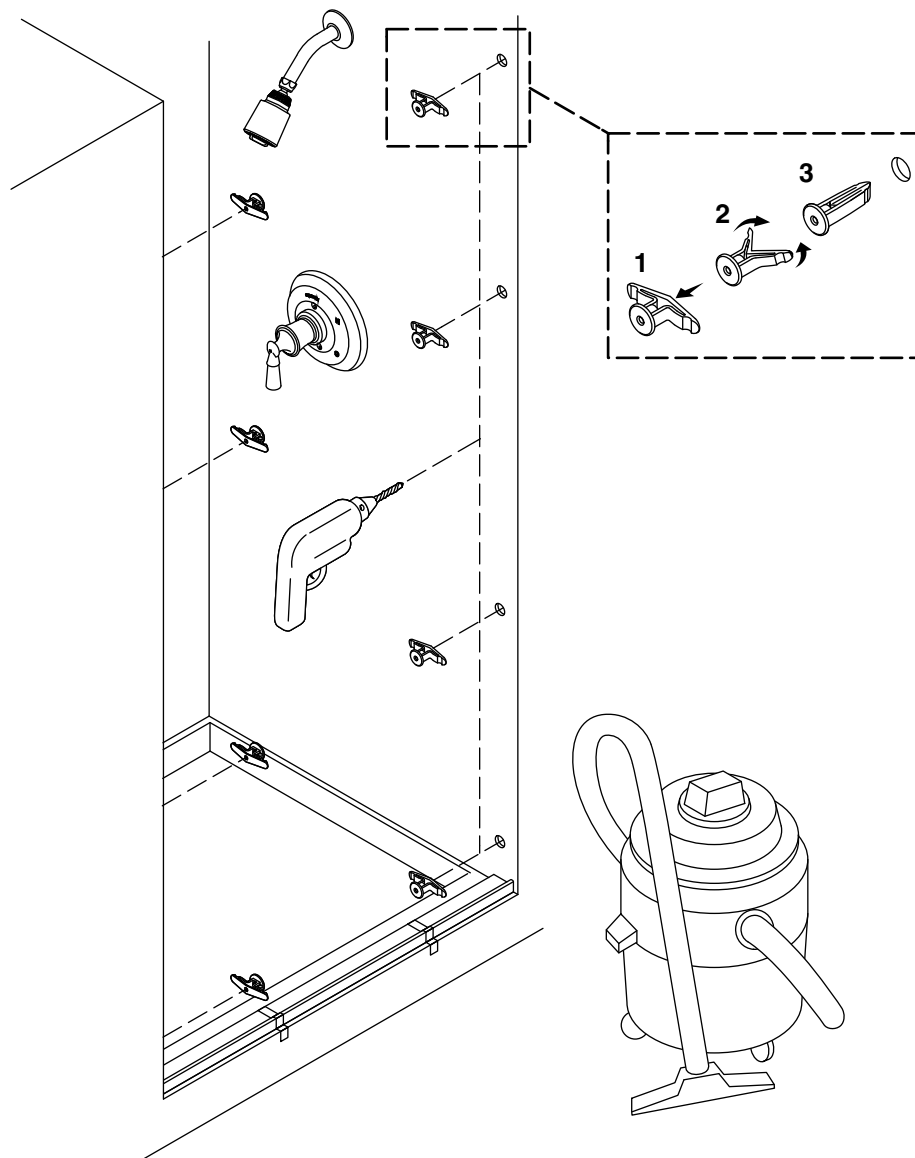
- Coloque las jambas murales en el umbral, al ras contra el labio del umbral y las paredes, con los orificios redondos hacia el interior de la ducha.
- Coloque las jambas murales a plomo.
- Pegue bien las jambas murales en su lugar con cinta adhesiva, y marque su lugar.





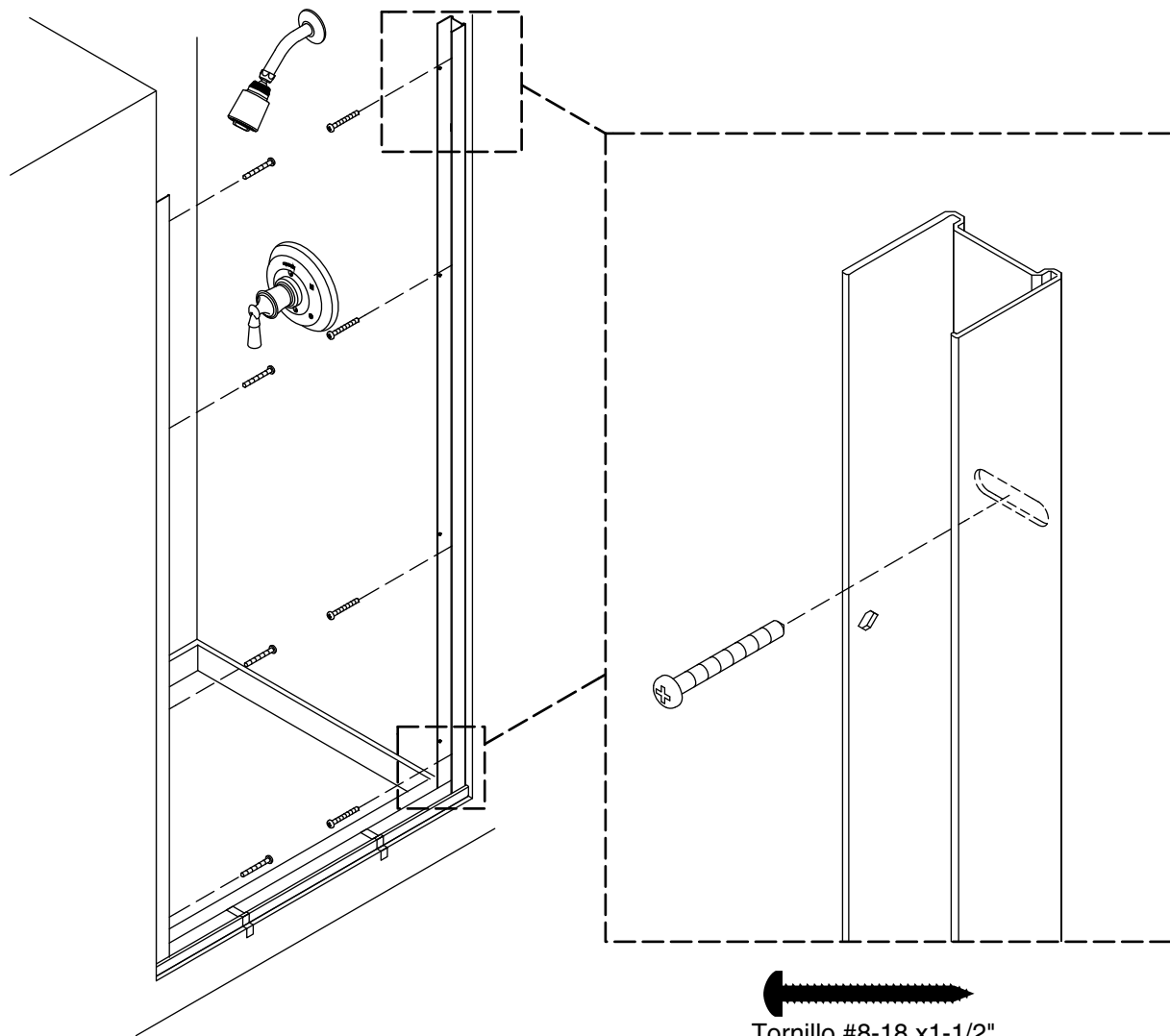
## 5. Marque los orificios para los tornillos de las jambas murales

- Haga una marca en la pared de cada uno de los cuatro orificios ranurados en cada jamba mural, y retire las jambas murales.



## 6. Instale los anclajes de pared

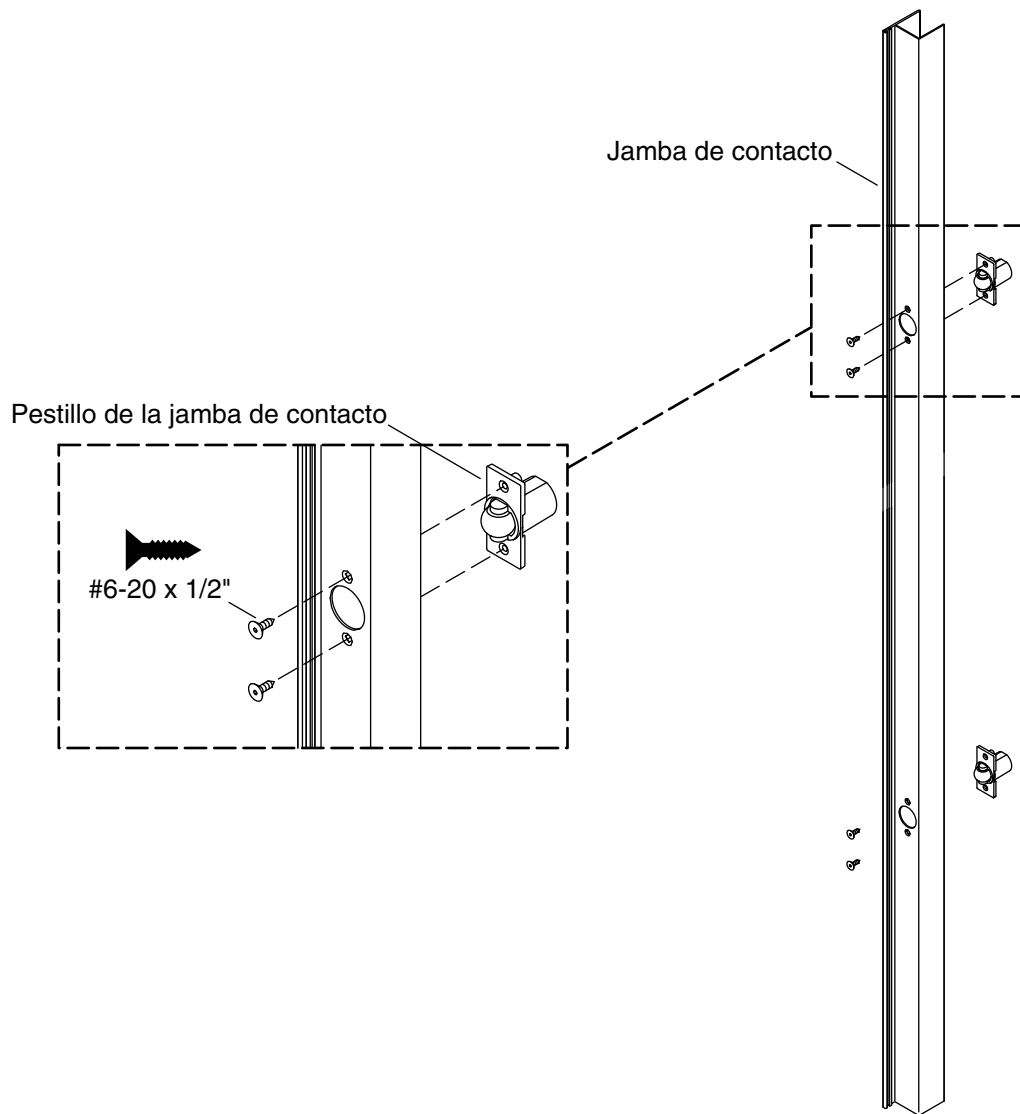
- Taladre un orificio de 5/16" en cada lugar marcado. En paredes de azulejo use una broca para mampostería.
- Instale los anclajes de pared que se incluyen.
- Repita en la pared opuesta.
- Limpie por completo la base de la ducha, el piso, el umbral y la pared.



## 7. Instale las jambas murales

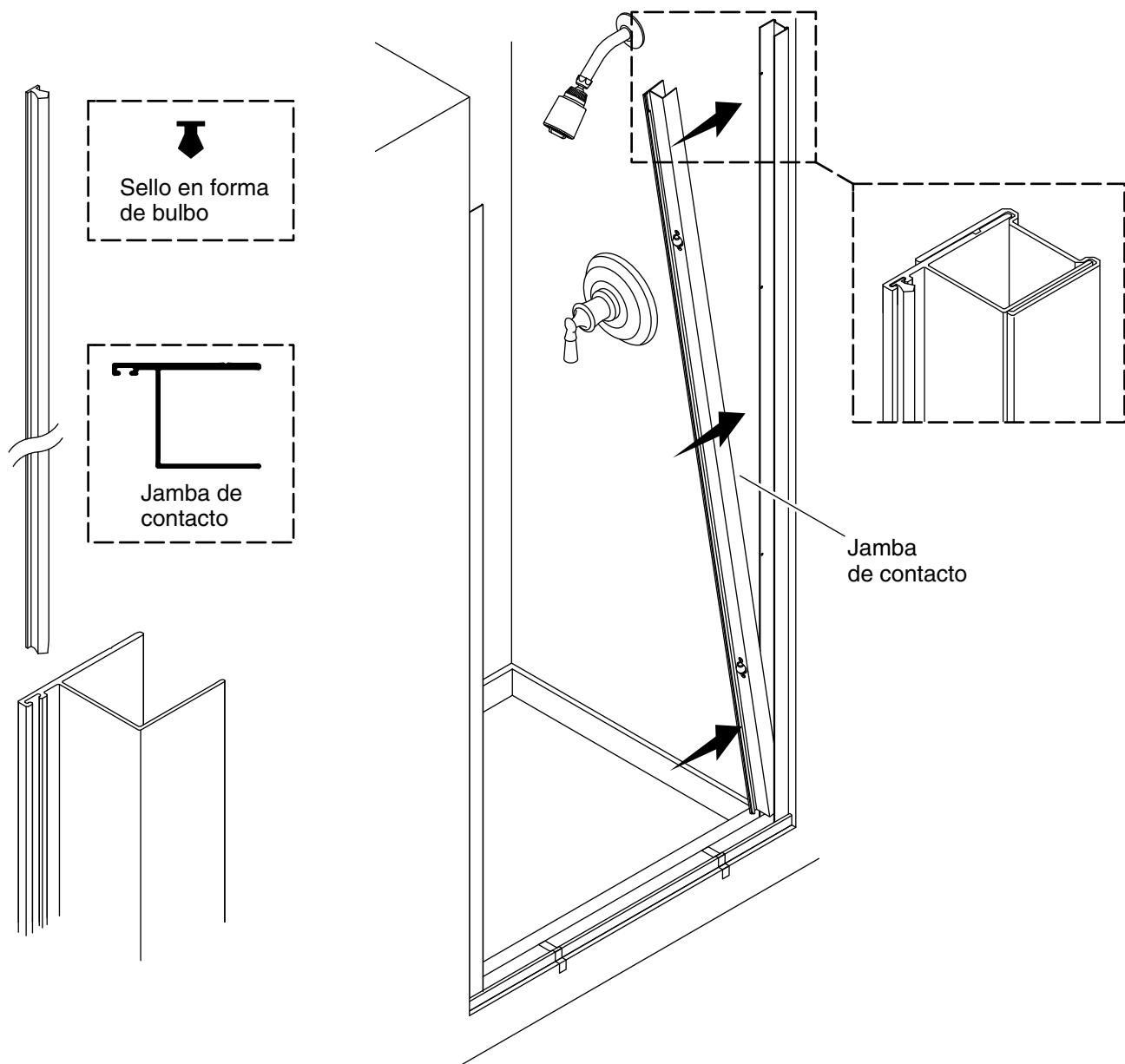
**¡IMPORTANTE!** Los orificios redondos en las jambas murales deben quedar hacia el interior de la ducha.

- Vuelva a colocar una jamba mural. Coloque la jamba mural alineada con las marcas hechas previamente.
- Fíjela con los 4 tornillos #8-18 x 1-1/2" que se incluyen.
- Repita este procedimiento con la segunda jamba mural.



## 8. Instale los pestillos

- Con la llave hexagonal que incluimos, instale 2 pestillos en la jamba de contacto con los tornillos #6-20 x 1/2" que se incluyen.

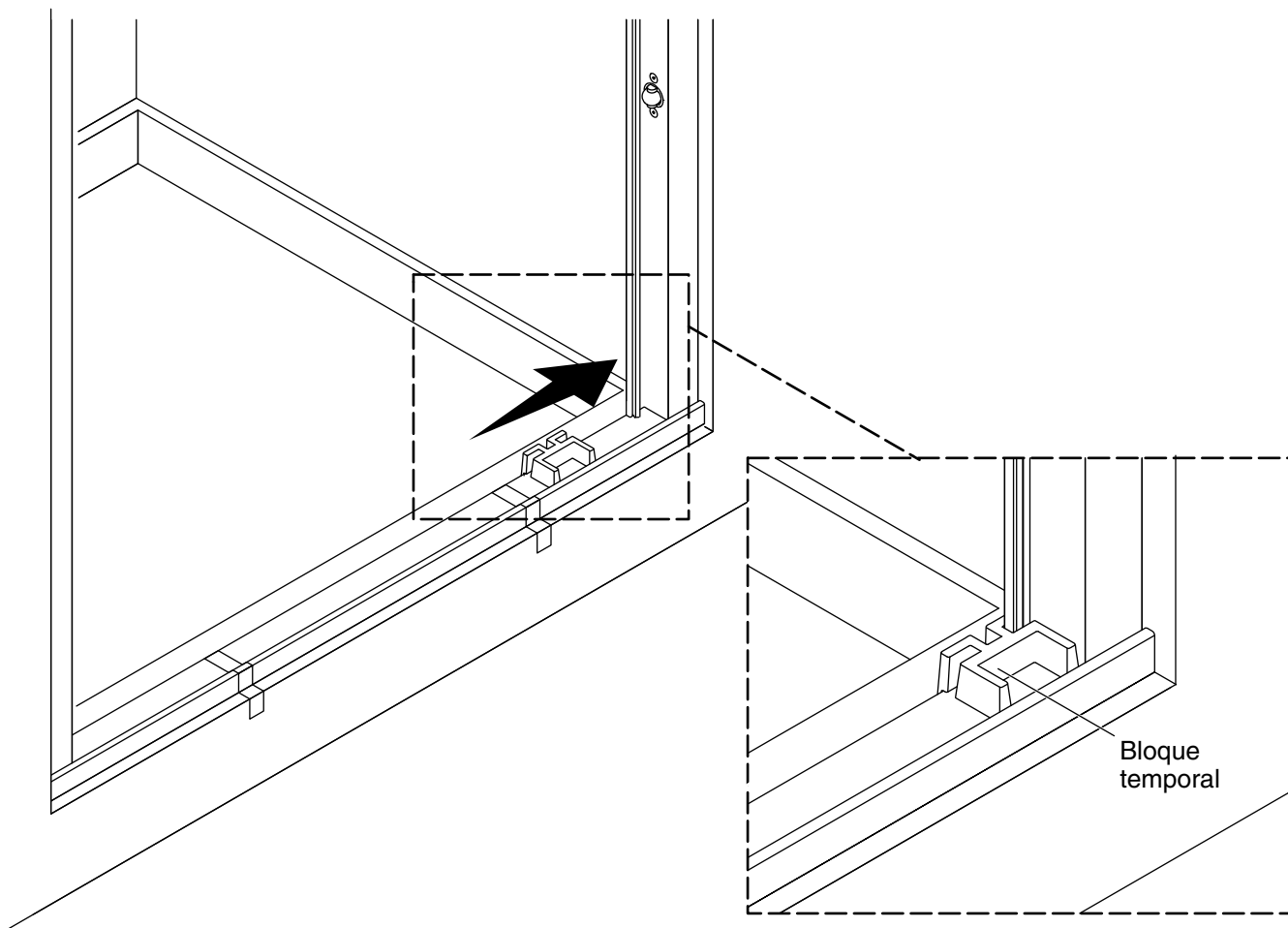


## 9. Instale la jamba de contacto

**¡IMPORTANTE!** Se ilustra la configuración con pivote izquierdo en los pasos de instalación, a menos que se indique lo contrario.

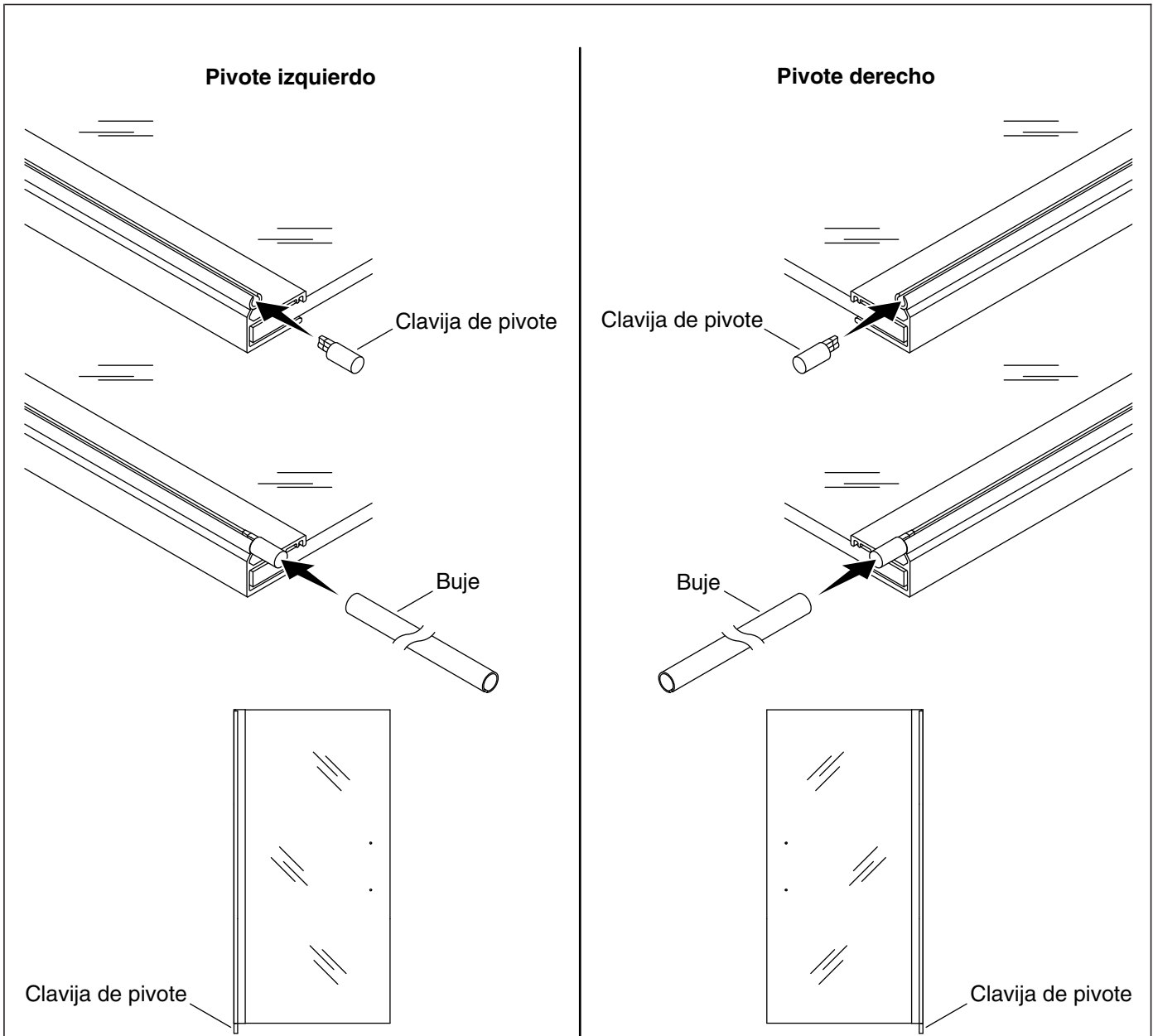
**¡IMPORTANTE!** No meta los tornillos antes de que se le indique.

- Deslice la tira de sello en forma de bulbo por completo en la ranura en T de la jamba de contacto.
- Comenzando por abajo, ajuste la jamba de contacto en la jamba mural. La jamba de contacto debe quedar asentada por completo en el umbral y dentro de la jamba mural.



## 10. Coloque el bloque temporal

- Coloque el bloque temporal en el umbral, al ras contra la jamba de contacto.

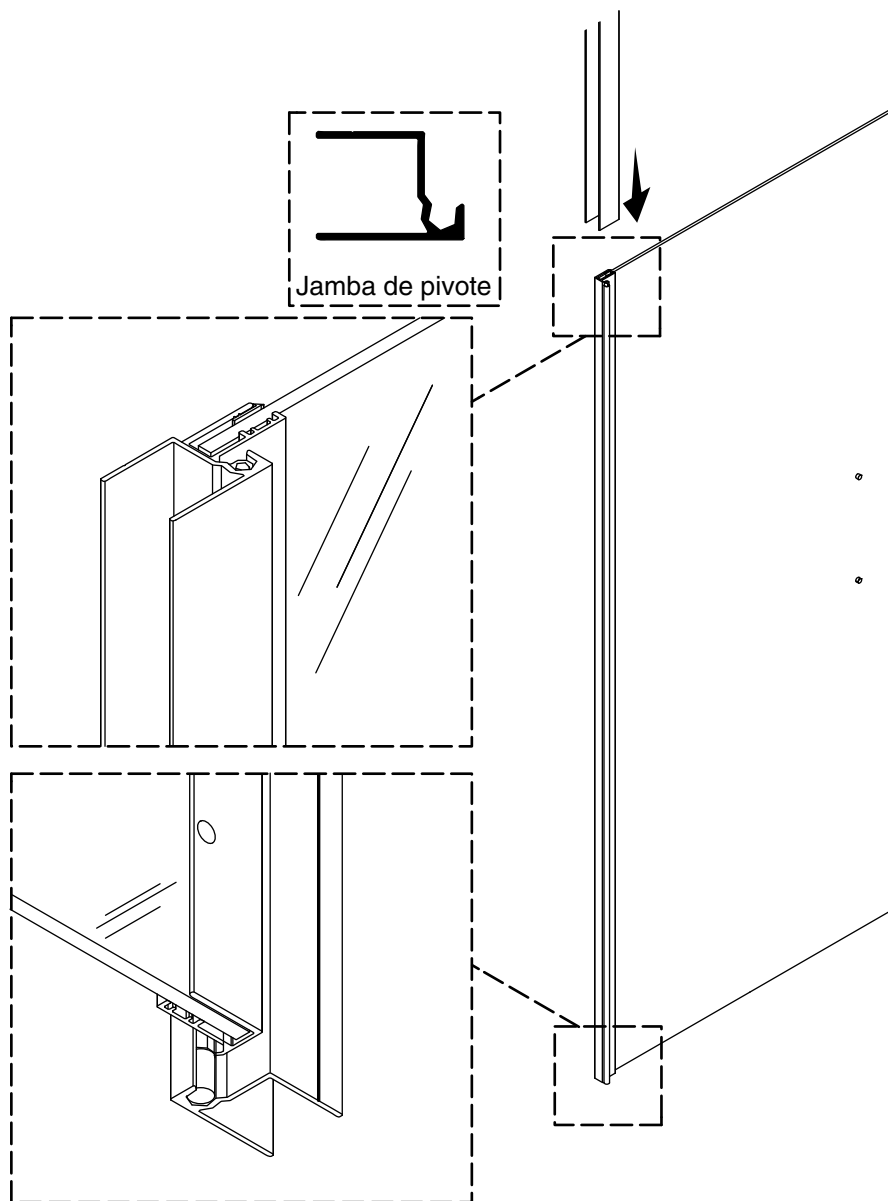


## 11. Ensamble el soporte de bisagra

**¡IMPORTANTE!** Instale el buje y la clavija de pivote de acuerdo con la configuración de su puerta, pivote izquierdo o derecho. Vea la ilustración.

**NOTA:** Se puede lubricar el soporte del panel con bisagra con agua jabonosa para facilitar la instalación del buje.

- Oprima la clavija de pivote dentro de la parte inferior del soporte de bisagra. Vea la ilustración para verificar que la clavija de pivote haya sido instalada correctamente de acuerdo con la configuración de su puerta.
- Extienda ligeramente el buje y deslice sobre la clavija de pivote y dentro de la parte circular del soporte del panel con bisagra.
- Deslice el buje hasta la parte superior del soporte del panel con bisagra. Asegúrese de que el buje no cubra la clavija de pivote una vez que quede instalado.



## 12. Ensamble la jamba de pivote

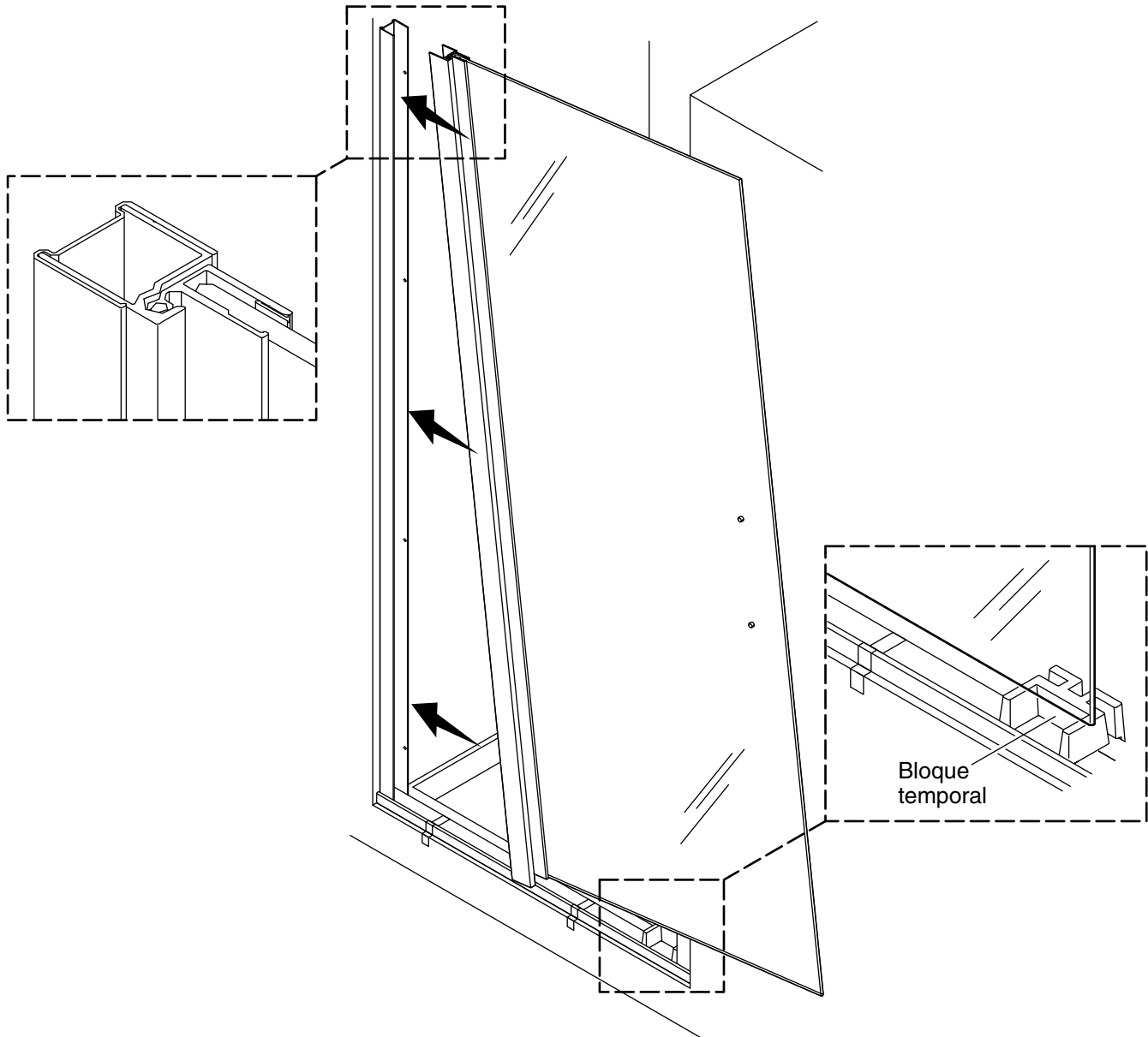
¡IMPORTANTE! Se muestra la configuración de pivote izquierdo.

**NOTA:** Se puede lubricar el buje con agua jabonosa para facilitar la instalación de la jamba de pivote.

□ Deslice la jamba de pivote en el soporte de bisagra.

**NOTA:** La parte inferior de la jamba de pivote debe quedar al ras con la clavija de pivote. Debe quedar una separación entre la parte inferior de la jamba de pivote y la parte inferior del soporte de bisagra.

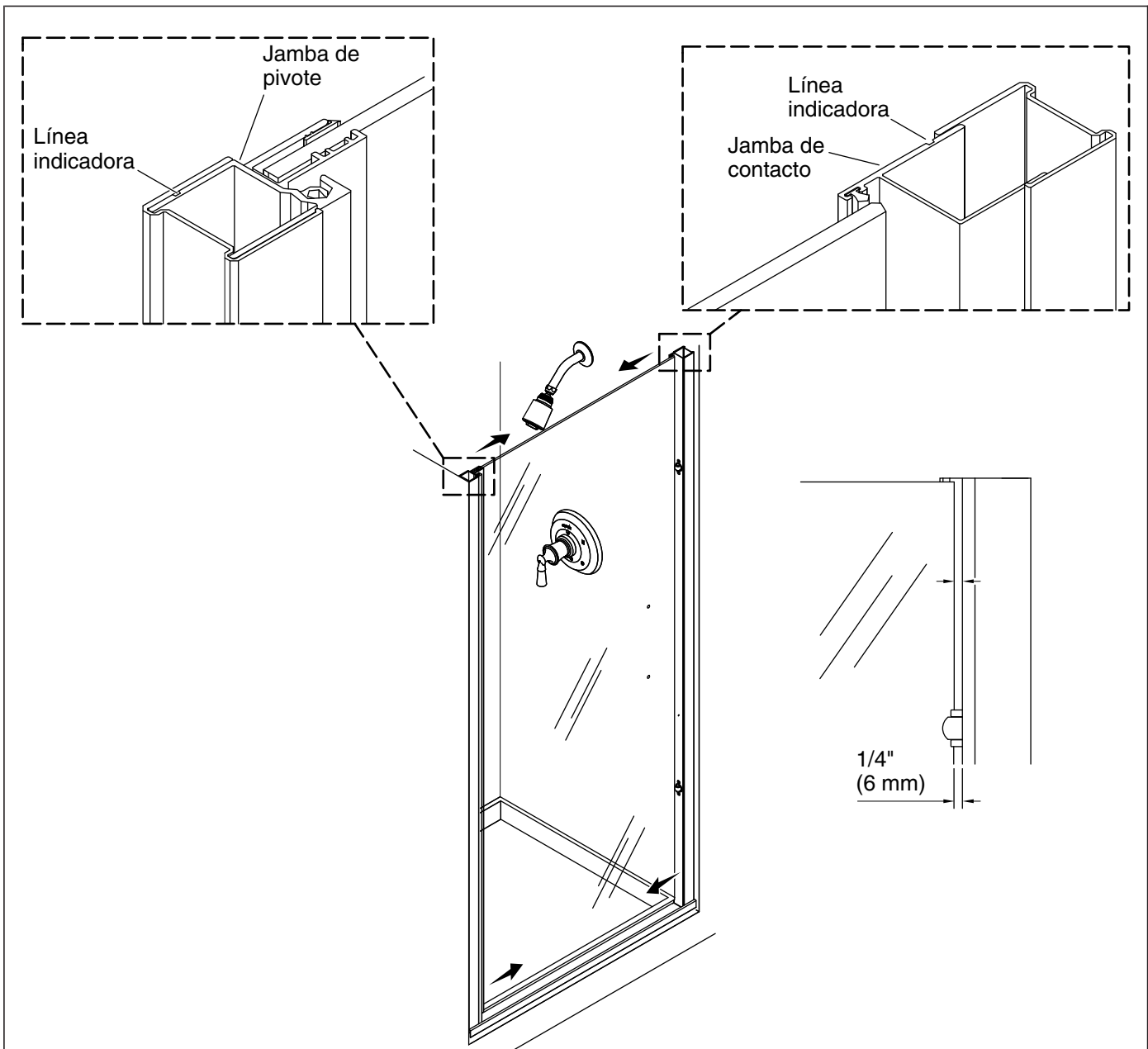




### 13. Instale la jamba de pivote

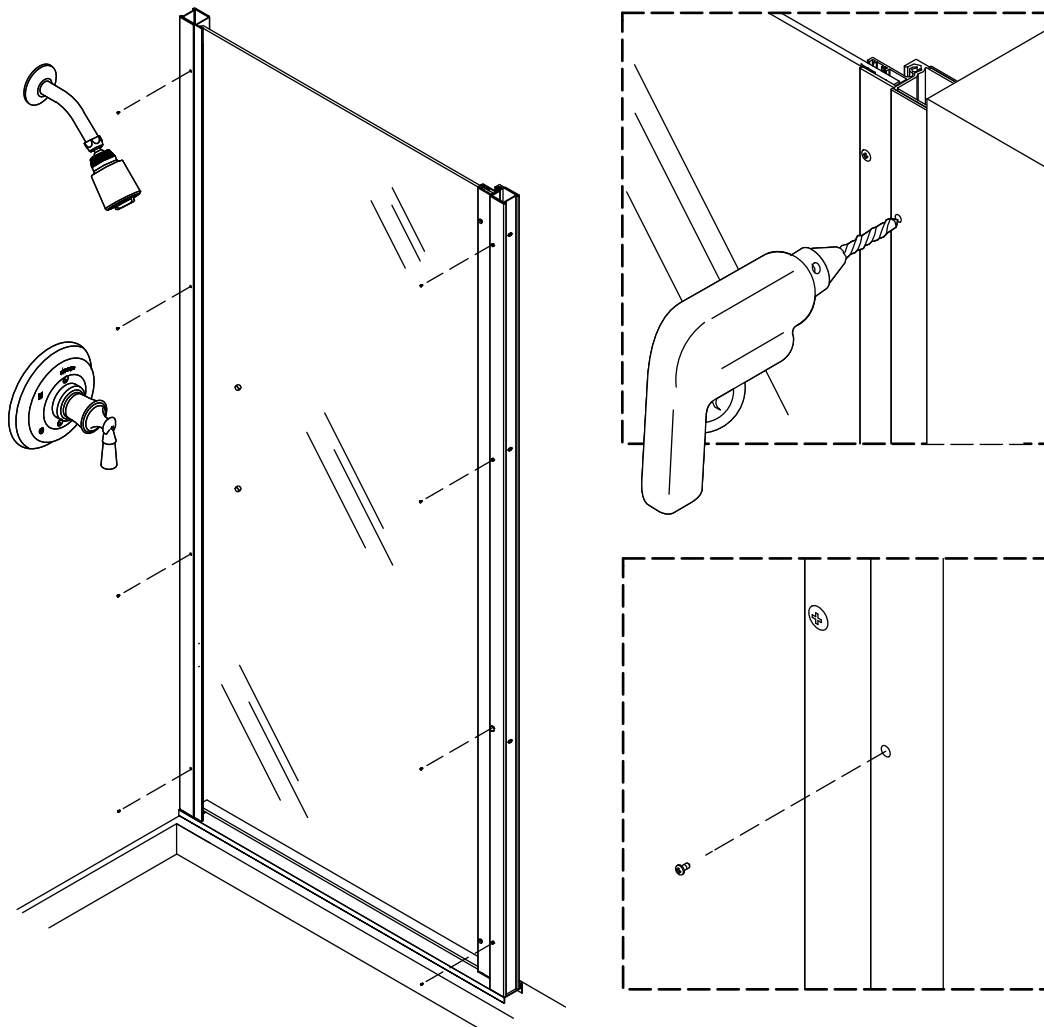
**¡IMPORTANTE!** No meta los tornillos antes de que se le indique.

- Con ayuda, comience en la parte superior y ajuste la jamba de pivote y el ensamblaje de panel por completo en la jamba mural del lado pivotante.
- Con la jamba de pivote instalada, asegúrese de que el extremo de contacto del panel de vidrio descansa en el bloque de ajuste en el bloque temporal.



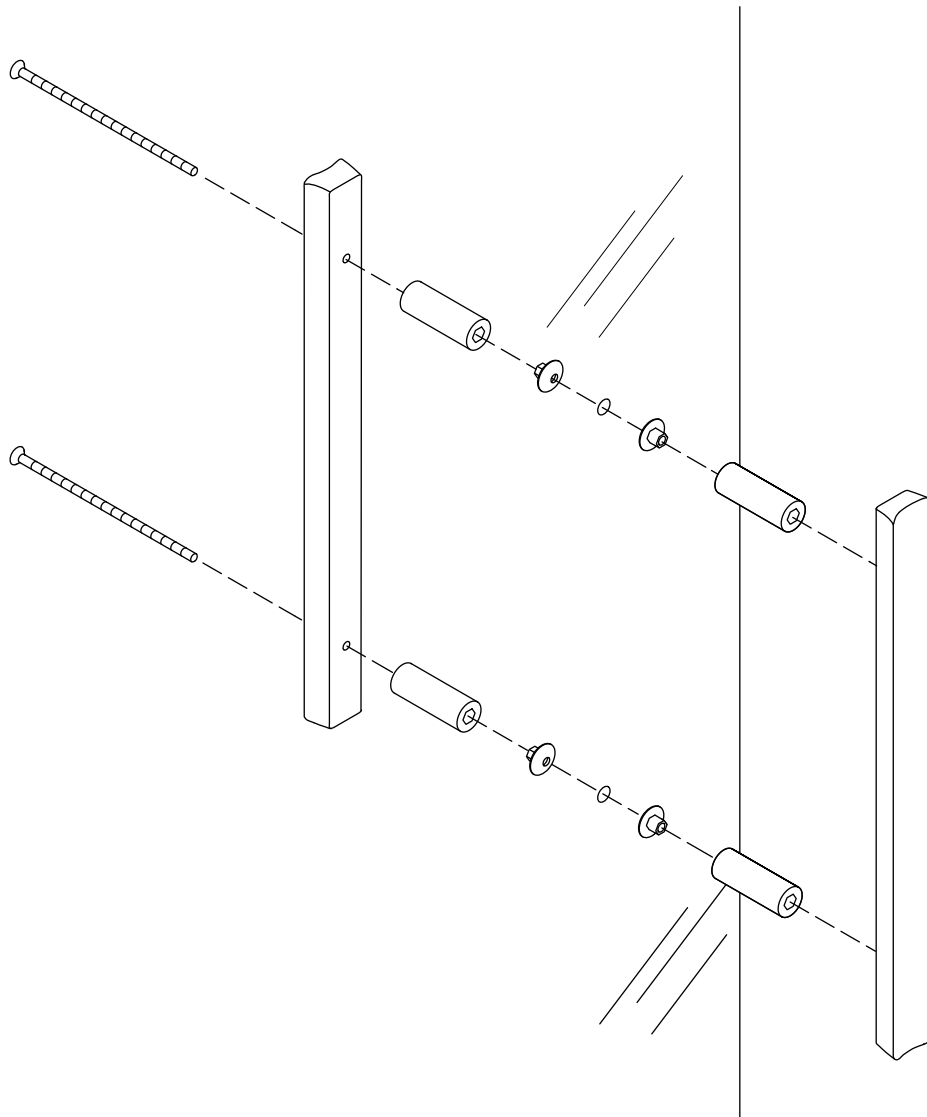
## 14. Ajuste las jambas

- Asegúrese de que la jamba de pivote quede asentada por completo dentro de la jamba mural del lado pivotante, y de que el extremo del panel de la puerta descansa en el bloque temporal.
- Mueva la jamba de contacto hacia fuera hasta que el borde del panel de la puerta quede a no más de 1/4" (6 mm) de la superficie de la jamba de contacto.
- Se llega al ajuste máximo cuando queda visible la línea indicadora en la jamba de contacto.
- Si se ha llegado al ajuste máximo y el borde del panel de la puerta está a más de 1/4" (6 mm) de la superficie de la jamba de contacto, mueva el panel de la puerta y la jamba de pivote hacia fuera.
- Se llega al ajuste máximo de la jamba de pivote cuando queda visible la línea indicadora en la jamba de pivote.
- Asegúrese de que tanto la jamba de pivote como la jamba de contacto quedan a plomo y niveladas y descansando en el umbral.



## 15. Fije las jambas

- Desde el interior de la ducha, taladre orificios guía de 9/64" en la jamba de pivote en los lugares de los orificios en la jamba mural.
- Fije la jamba de pivote con los tornillos #8-18 x 3/8" en los orificios.
- Retire el bloque temporal.
- Verifique que la puerta cierre correctamente. De ser necesario, ajuste la jamba de contacto.
- Desde el interior de la ducha, taladre orificios guía de 9/64" en la jamba de contacto en los lugares de los orificios en la jamba mural.
- Fije la jamba de contacto con los tornillos #8-18 x 3/8" en los orificios.

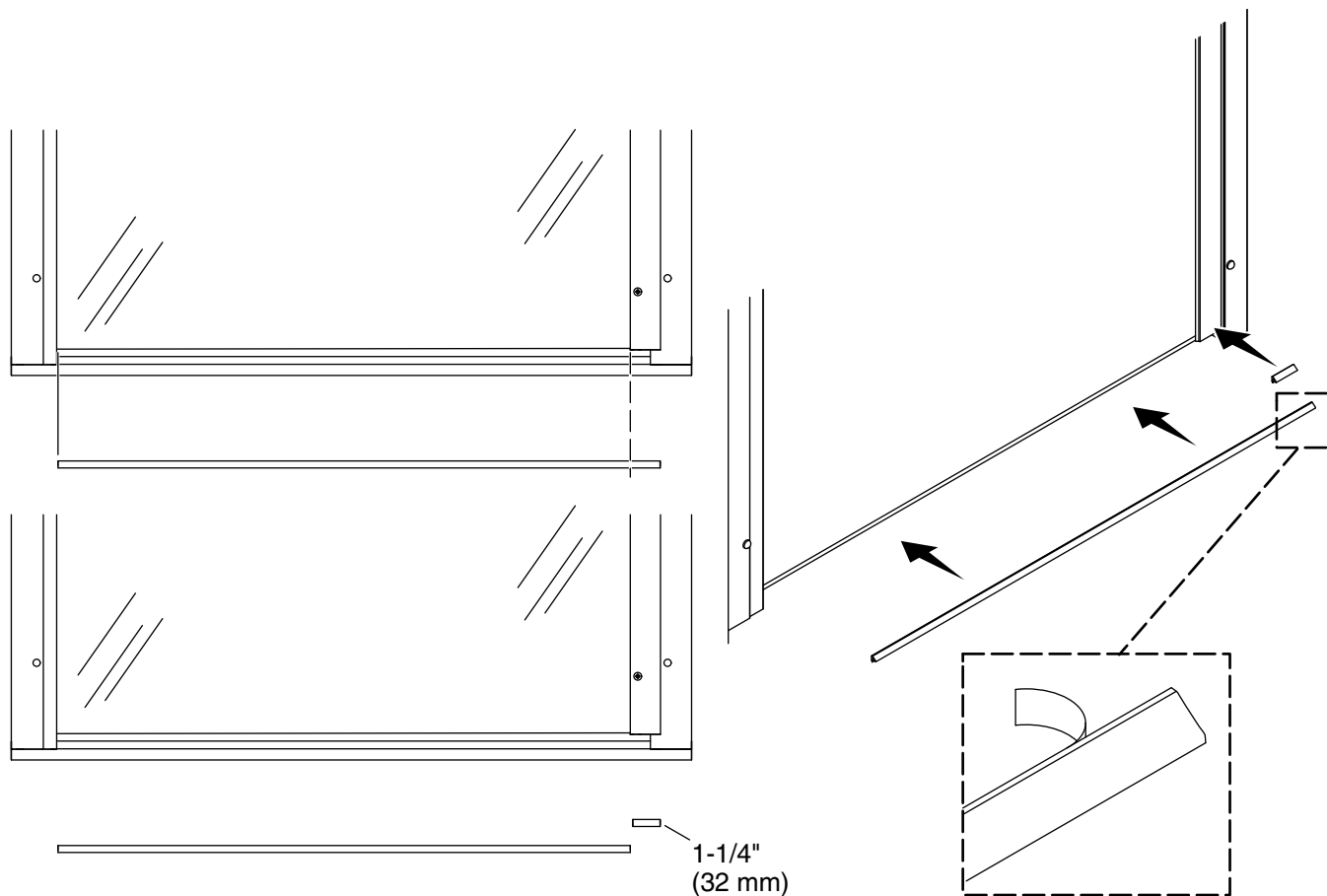


## 16. Instale las manijas

**NOTA:** Es posible que la manija que se muestra difiera de la que se incluye con su puerta de ducha.

□ Ensamble la manija con la llave hexagonal que se incluye. **¡No apriete demasiado!**

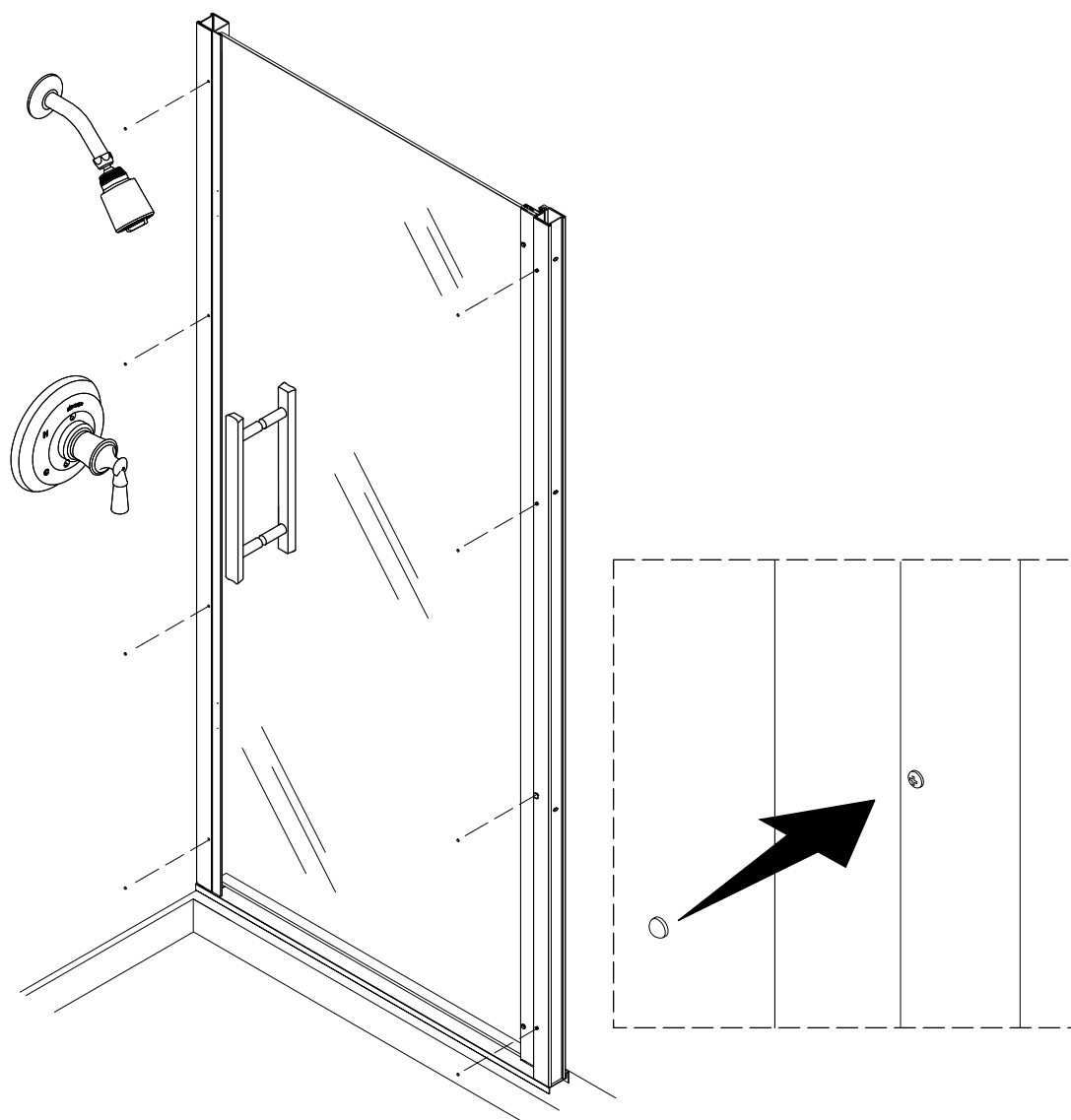
**NOTA:** Las cabezas de tornillo que quedan expuestas deben quedar hacia el interior de la ducha.



## 17. Instale el sello inferior

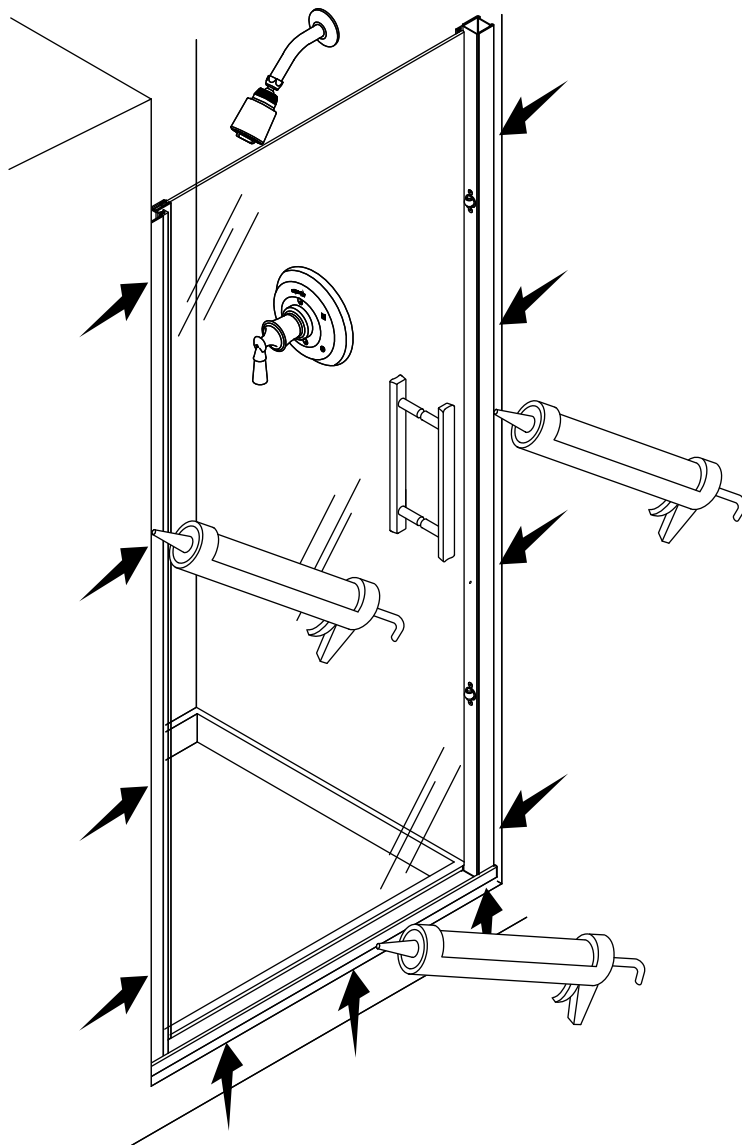
**¡IMPORTANTE!** Si el sello está deformado al sacarlo de su envase, métele en agua tibia hasta que vuelva a su forma apropiada.

- Mida el panel de vidrio desde el soporte de bisagra hasta la jamba de contacto.
- Recorte el sello inferior a esta longitud.
- Comenzando en el soporte de bisagra, instale la longitud recortada del sello inferior al borde inferior del interior del panel de vidrio. El sello no debe interferir con el sello en forma de bulbo.
- Recorte 1-1/4" del exceso de sello inferior, e instálelo al borde inferior del interior del soporte de bisagra.



## 18. Instale los cubretornillos

- Instale los cubretornillos sobre los tornillos de las jambas murales.



## 19. Selle el umbral y las jambas murales

- Retire la cinta de enmascarar del umbral.
- Aplique sellador 100 % de silicona a los bordes exteriores.

## Cuidado y limpieza

Para obtener mejores resultados, tenga presente lo siguiente al limpiar su producto STERLING:

- Utilice un jalador limpiavidrios después de cada vez que se use la ducha, para eliminar las manchas de agua en la parte interior de los paneles de vidrio.
- En superficies de vidrio, utilice un limpiador para vidrios de alta calidad y un paño limpio para limpiar la superficie de espejo. Asegúrese de seguir las instrucciones del fabricante del limpiador para vidrios.

## Cuidado y limpieza (cont.)

- De vez en cuando, limpie las puertas con un detergente suave diluido en agua para mantener la apariencia nueva de los paneles de vidrio y de las piezas de aluminio anodizado.
- Nunca utilice cepillos de cerdas, esponjas abrasivas, polvos de tallar o instrumentos afilados en el metal o en los paneles de vidrio. Estos rayan algunas superficies de vidrio y de metal.
- En superficies de metal, nunca utilice limpiadores que contengan abrasivos ni que contengan amoníaco, blanqueador, ácidos, ceras, alcohol o disolventes, puesto que pueden dañar el acabado. El uso de agentes limpiadores fuertes puede anular las obligaciones de la garantía de Sterling.
- No deje los limpiadores mucho tiempo en las superficies.
- Para evitar la acumulación de jabón o residuos de calcio en zonas de agua dura, asegúrese de secar la puerta con un paño suave después de cada uso, como si se secara las manos con una toalla.
- Enjuague y seque las unidades después de limpiarlas para evitar que se acumule jabón en ellas.

Para obtener información detallada de limpieza y de productos de limpieza a considerar, visite [www.sterlingplumbing.com/care-and-cleaning](http://www.sterlingplumbing.com/care-and-cleaning). Para solicitar información sobre cuidado y limpieza, llame al 1-800-456-4537.

## Resolución de problemas

### Resolución de problemas

Síntomas	Causa probable	Acción recomendada
1. La jamba de pivote se cae del soporte de bisagra.	A. El buje está desgastado o no fue instalado.	A. Instale el buje. Consulte la sección "Ensamble el soporte de bisagra".
2. La puerta no cierra correctamente.	A. La jamba de pivote o la jamba de contacto no está instalada correctamente a la jamba mural.	A. Instale la jamba de pivote o la jamba de contacto correctamente a la jamba mural. Consulte las secciones "Ubique la jamba de contacto" e "Instale la jamba de pivote".
3. La puerta se abre o cierra con dificultad.	A. La jamba de pivote o la jamba de contacto no está bien ajustada.	A. Ajuste la jamba de pivote o la jamba de contacto. Consulte las secciones "Ajuste las jambas" y "Fije las jambas".
4. La puerta hace contacto con el umbral.	A. La clavija de pivote no ha sido instalada. B. El panel de puerta no está bien ajustado.	A. Verifique que la clavija de pivote sea instalada. Consulte la sección "Ensamble el soporte de bisagra". B. Ajuste la jamba de pivote de forma que el panel de puerta se abra suavemente y que no haga contacto con el umbral. Consulte la sección "Ajuste las jambas".
5. Se fuga el agua.	A. El agua. Se fuga bajo el panel de la puerta. B. Se fuga agua a través de la jamba de contacto. C. El agua. Se fuga por abajo del umbral.	A. Verifique que el sello inferior esté en su lugar. Consulte la sección "Instale el sello inferior". B. Ajuste la jamba de contacto de forma que el panel de puerta haga contacto con el sello. Consulte la sección "Ajuste las jambas". C. Desde afuera de la ducha, aplique sellador 100 % de silicona donde el umbral hace contacto con el reborde de la ducha. Consulte la sección "Selle el umbral y las jambas murales".



## Resolución de problemas (cont.)

### Resolución de problemas

Síntomas	Causa probable	Acción recomendada
	D. Se fuga agua entre la jamba mural y la pared.	D. Desde afuera de la ducha, aplique sellador 100 % de silicona donde la jamba mural se une a la pared. Consulte la sección "Selle el umbral y las jambas murales".

## Garantía

### Limitada de 5 años

SP2375            Serie 6300  
Serie 5300        Serie 6500  
Serie 5400        Serie 58000  
Serie 5600

### Limitada de 3 años

Serie 1500        Serie 4800  
Serie 2200        Serie 4900  
Serie 4600        Serie 5900  
Serie 4700        Serie 57000

### Limitada de 1 año

Serie 500            Serie 3100  
Serie 660  
Serie 670  
Serie 690

De acuerdo a la clasificación arriba descrita, se garantizan las puertas de bañera y de ducha STERLING contra defectos de fabricación dentro del periodo de garantía limitada del modelo especificado a partir de la fecha de venta.

Kohler Co., a su criterio, reparará, rectificará o reemplazará una unidad en los casos en que la inspección realizada por Kohler Co. determine que dichos defectos ocurrieron durante el uso normal dentro del periodo de cobertura indicado anteriormente. Kohler Co. no se hace responsable de costos de desinstalación o instalación donde se reemplace el producto. Los daños debidos a errores de manejo, instalación o mantenimiento inadecuado no se consideran defectos de fabricación, y no están cubiertos por esta garantía. Esta garantía es válida únicamente para el comprador consumidor original.

Para obtener servicio de garantía comuníquese con Sterling, ya sea a través de su contratista de plomería, el centro de remodelación, el mayorista o distribuidor, o llame o escriba a Sterling, Consumer Services, 444 Highland Drive, Kohler, Wisconsin 53044, 1-800-783-7546.

**EN LA MEDIDA QUE LA LEY LO PERMITA, POR MEDIO DE LA PRESENTE SE DESCARGA RESPONSABILIDAD DE TODA GARANTÍA IMPLÍCITA, INCLUIDA LA DE COMERCIALIZACIÓN E IDONEIDAD PARA UN USO DETERMINADO. KOHLER CO. Y EL VENDEDOR, POR MEDIO DE LA PRESENTE, DESCARGAN TODA RESPONSABILIDAD POR CONCEPTO DE DAÑOS PARTICULARES, INCIDENTALES O INDIRECTOS.** Algunos estados/provincias no permiten limitaciones en cuanto a la duración de una garantía implícita o a la exclusión o limitación de daños particulares, incidentales o indirectos, por lo que es posible que estas limitaciones y exclusiones no se apliquen a su caso. Esta garantía le otorga ciertos derechos legales específicos. Además, usted puede tener otros derechos que varían de estado a estado y provincia a provincia.

**Esta es la garantía exclusiva por escrito de Kohler Co.**





USA: 1-800-STERLING  
(1-800-783-7546)

México: 001-877-680-1310

[SterlingPlumbing.com](http://SterlingPlumbing.com)

**STERLING**  
A KOHLER COMPANY

©2017 Kohler Co.

1331204-2-B