

Please go to www.quoizel.com for product cleaning tips. Go to the **Care + Maintenance** selection.

Tools Required: Flathead screwdriver, Phillips screwdriver, pliers, wire cutters, wire strippers, electrical tape, safety glasses.

Light Source: (4) A19 Medium Base bulb 100W Maximum, Alternate bulb (4) 23W CFL.

Estimated Assembly Time: 20-30 minutes

Preparation: Identify and inspect all parts before beginning installation. Check package content list and diagrams below to be sure all parts are present. If any parts are missing or damaged, do not attempt to assemble, install, or operate the fixture. Contact customer service for replacement parts.

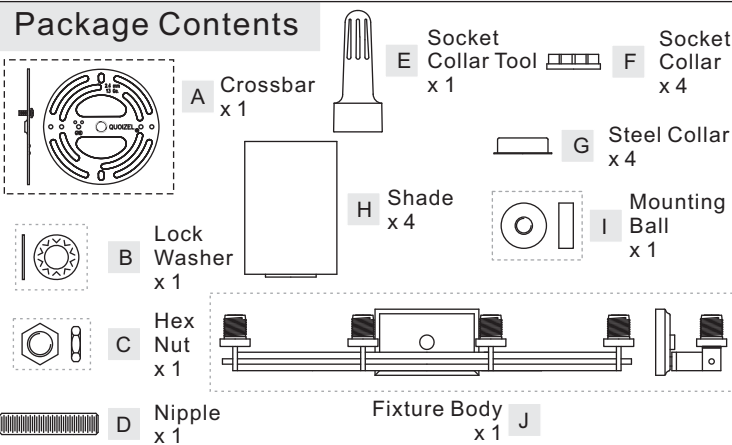
⚠ Warnings and Cautions

Turn off electricity at circuit breaker or main fuse box before installation. Consult a licensed electrician if in doubt.

These instructions are provided for your safety. It is very important you read them completely before installing the fixture. We strongly recommend that a licensed, professional electrician perform the installation.

Disconnect fixture from power source before replacing bulbs. Make sure bulbs are given sufficient time to cool before removal. Do not subject glass parts to any shock while in operation or shattering may result.

Package Contents



STEP 1 – Attach Crossbar to Outlet Box

- A. Secure the Crossbar (A) to the outlet box with outlet box screws (not supplied). Tighten until snug.

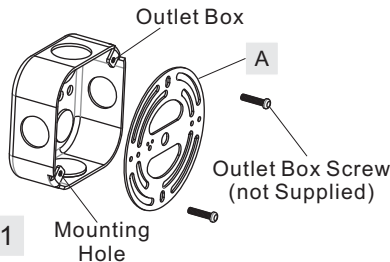


Figure 1

STEP 2 – Attach Nipple to Crossbar

- A. Thread one Hex Nut (C) onto the top end of the Nipple (D).
B. Place one Lock Washer (B) over the top end of the Nipple (D) and then thread the Nipple (D) into the center lock hole of the Crossbar (A).
C. Using pliers, thread the Hex Nut (C) against the Crossbar (A) and hand tighten until snug.

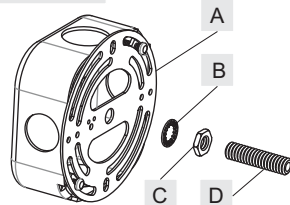


Figure 2

STEP 3 - Wire Connections

- A. Use standard wire connectors (not included) to make all wire connections. (Connectors are not included with fixture.) Twist connectors until wires are tightly joined together. Wrap each connection with approved electrical tape and carefully stuff all the connected wires into the Outlet Box.

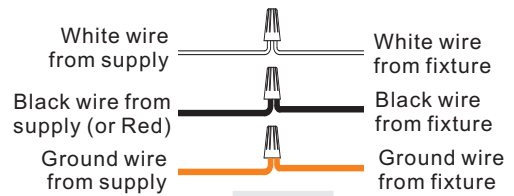


Figure 3

STEP 4 – Attach Fixture Body to Nipple

- A. Place the Backplate of the Fixture Body (J) over the Nipple (D) and secure with the Mounting Ball (I). Hand tighten until snug.

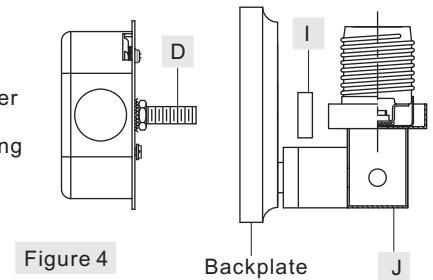


Figure 4

STEP 5 – Attach Shade to Fixture Body

- A. Place Shade (H) and Steel Collar (G) over the Socket, secure by using Socket Collar Tool (E) threading the Socket Collar (F) onto the Socket. Hand tighten until snug.

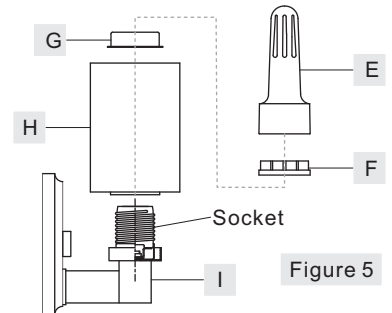


Figure 5

STEP 6 – Install Bulb

- A. This fixture uses standard bulb with medium base. Maximum 100 watts. Insert bulb and screw snugly into place.

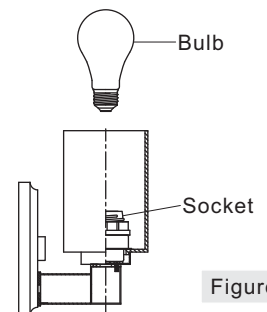
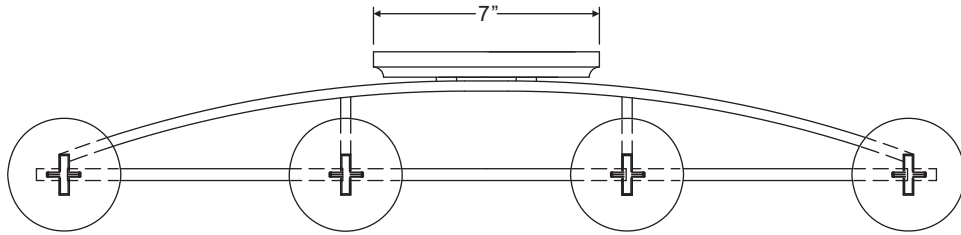
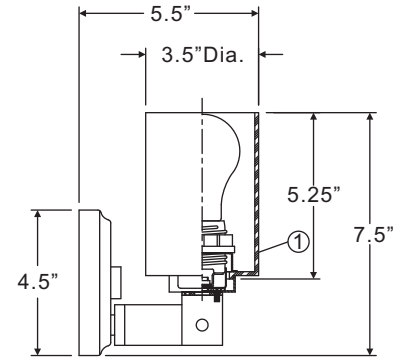
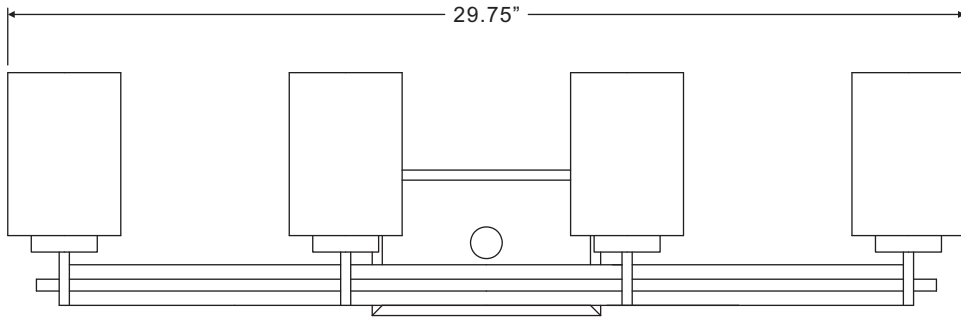
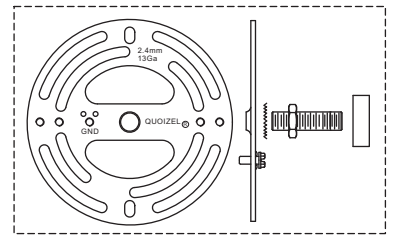


Figure 6

Thank you for purchasing a Quoizel product.
Need assistance with parts or assembly? Call Quoizel customer service at 1-631-273-2700
or visit us on-line at www.quoizel.com

STYLE NUMBER	FINISH NAME	STYLE NUMBER	FINISH NAME
TY8604BN	BRUSHED NICKEL	TY8604WT	WESTERN BRONZE
TY8604AN	ANTIQUÉ NICKEL	TY8604C	POLISHED CHROME



(4) 100W Medium Base Bulb (Not Supplied)

NOTE: ALL DIMENSIONS ARE ROUNDED UP TO THE NEAREST 1/4"

NO.	PART NUMBER	REPLACEMENT PART DESCRIPTION	REQ.	STYLE NUMBER
1	G2440SH	GLASS SHADE	4	TY8604BN
				TY8604AN
				TY8604WT
				TY8604C

Thank you for purchasing a Quoizel product.
 Need assistance with parts or assembly? Call Quoizel customer service at 1-631-273-2700
 or visit us on-line at www.quoizel.com