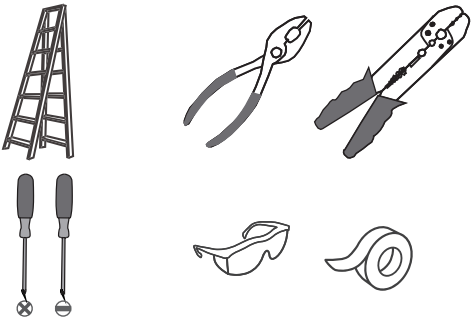
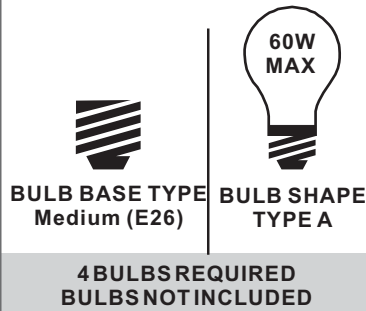


**Tools Required**



**Light Source**



**Fixture Height Adjustable  
13.75" to 50.5"**

**Warnings and Cautions**

Turn off the electricity at the circuit breaker before installation. Consult a licensed electrician if in doubt about installation.

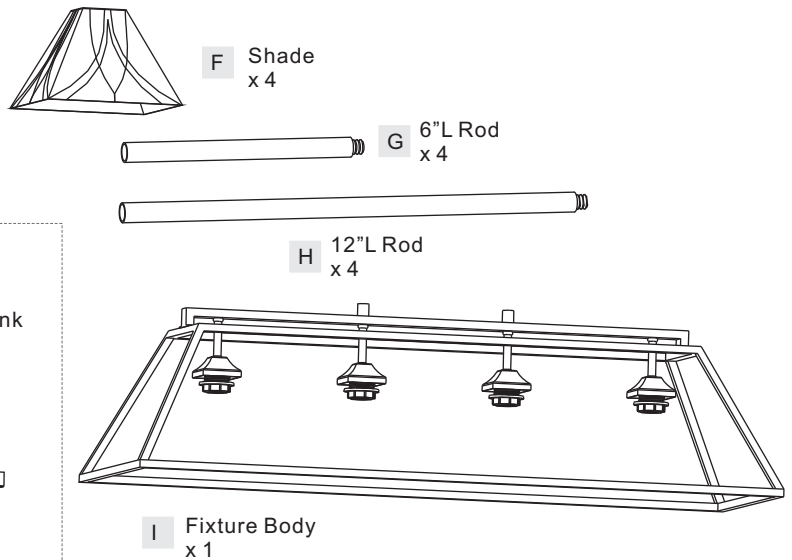
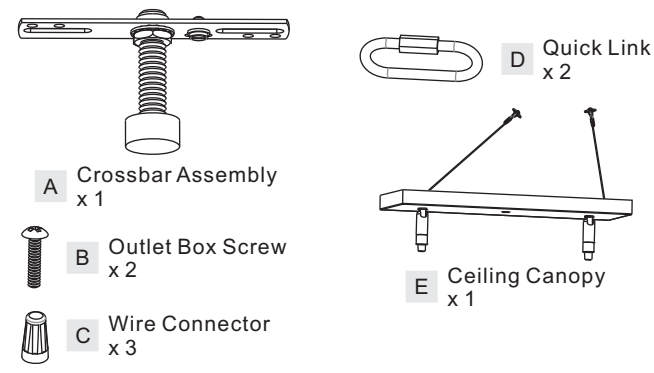
Turn off power to the fixture and allow the bulbs to cool before replacing.

**Package Contents**

**Preparation:** Identify and inspect all parts before beginning the installation.

Missing or damaged parts? Contact your original place of purchase.

**PARTS BAG**



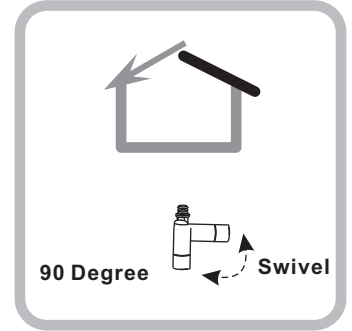
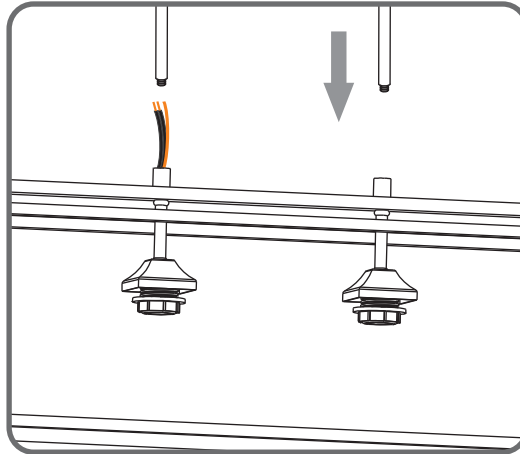
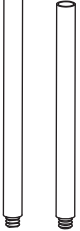
**Table of Contents**

Rods	Crossbar Assembly	Ceiling Canopy	Lanyard	Wiring	Ceiling Canopy	Bulb
STEP 1	STEP 2	STEP 3	STEP 4	STEP 5	STEP 6	STEP 7

## STEP 1

### Optional Rods

- 8' ceiling:  
(2) 6"L + (2) 12"L rods
- 9' ceiling:  
(2) 6"L + (4) 12"L rods
- 10' ceiling:  
(4) 6"L + (4) 12"L rods

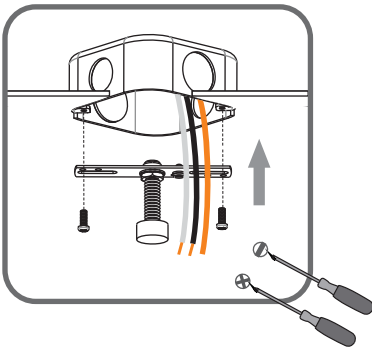


For angled ceilings,  
Swivel opening towards wall.

## STEP 2

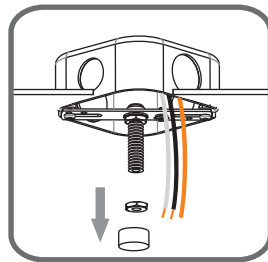
1

Step 1  
Install crossbar assembly

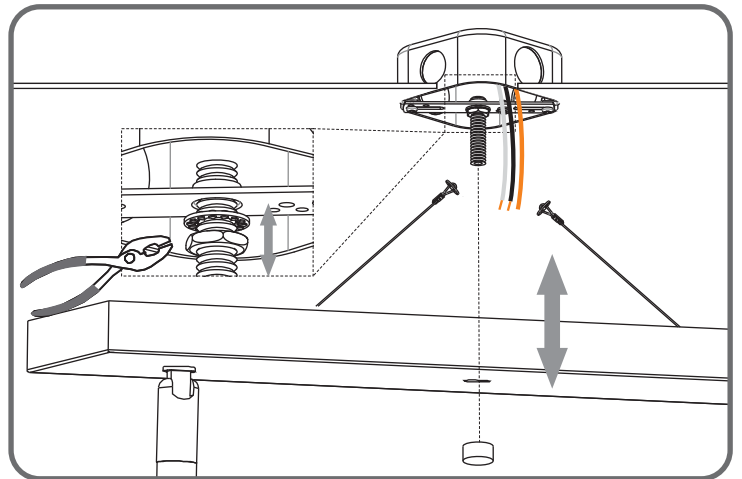


2

Step 2 - 3  
Test fitting ceiling canopy to nipple



3

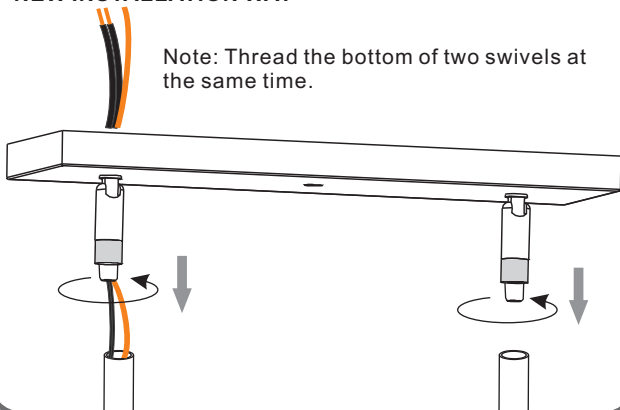


## STEP 3

To make installation easier, we did a brand new installation compared the old one, if you have any problem during installation, please let us know, we will do better.

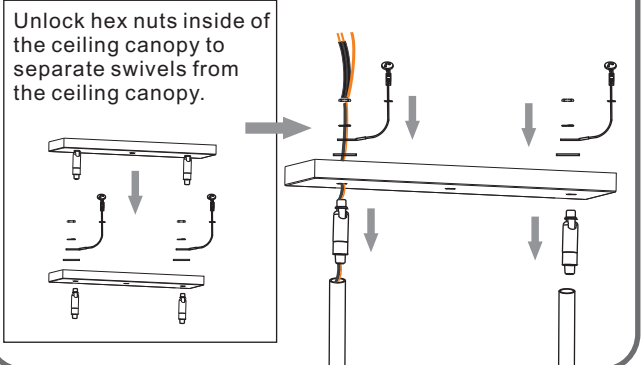
### NEW INSTALLATION WAY

Note: Thread the bottom of two swivels at the same time.

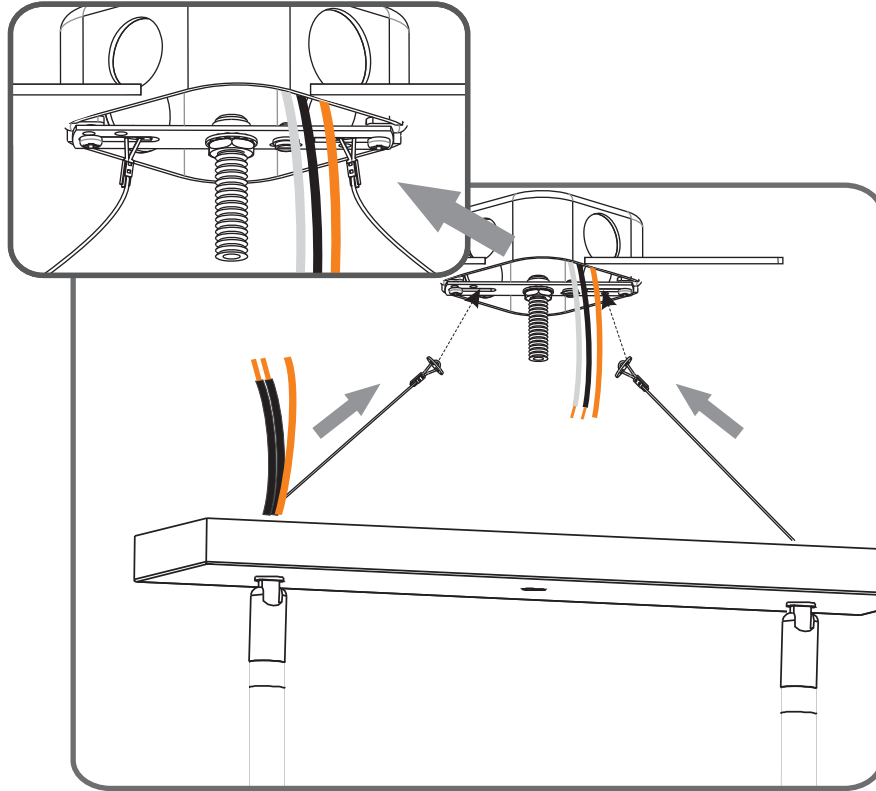


### OLD INSTALLATION WAY

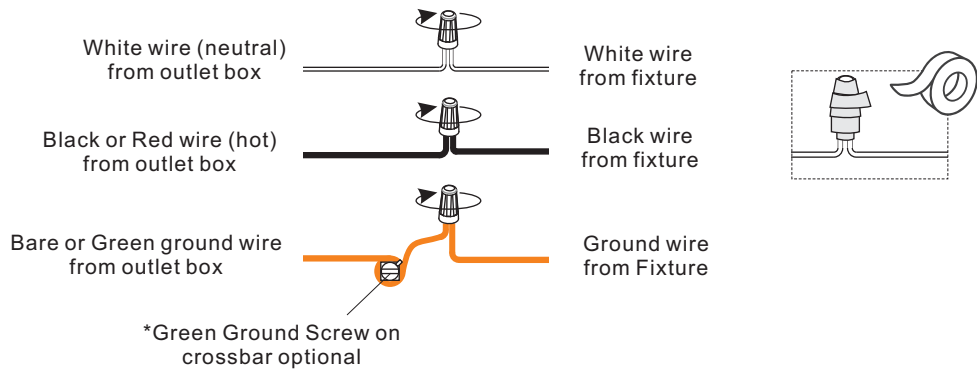
Unlock hex nuts inside of the ceiling canopy to separate swivels from the ceiling canopy.



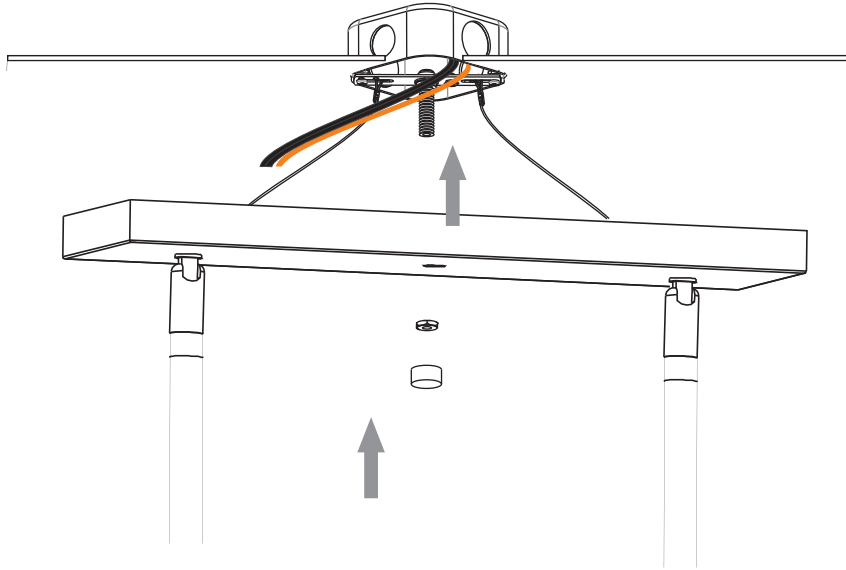
## STEP 4



## STEP 5



**STEP 6**



**STEP 7**

