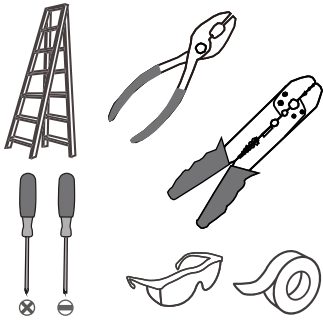
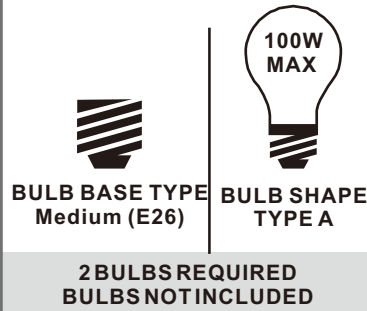


**Tools Required**



**Light Source**



**Warnings and Cautions**

Turn off the electricity at the circuit breaker before installation. Consult a licensed electrician if in doubt about installation.

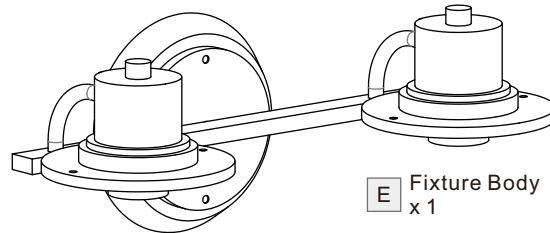
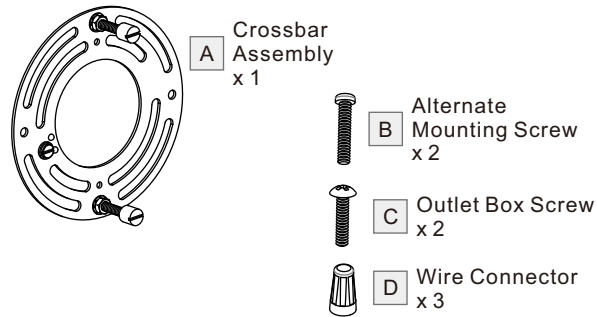
Turn off power to the fixture and allow the bulbs to cool before replacing.

**Package Contents**

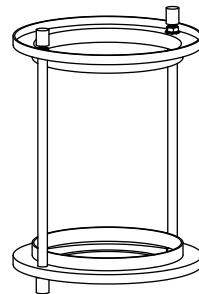
**Preparation:** Identify and inspect all parts before beginning the installation.

Missing or damaged parts? Contact your original place of purchase.

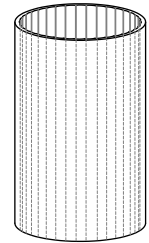
**PARTS BAG**



**E** Fixture Body x 1


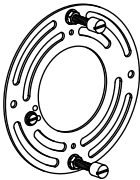
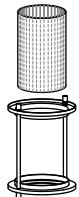
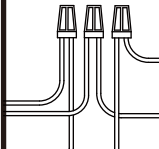
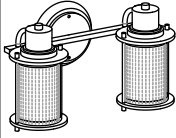
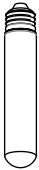


**F** Cage x 2



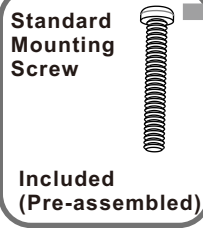
**G** Glass Shade x 2

**Table of Contents**

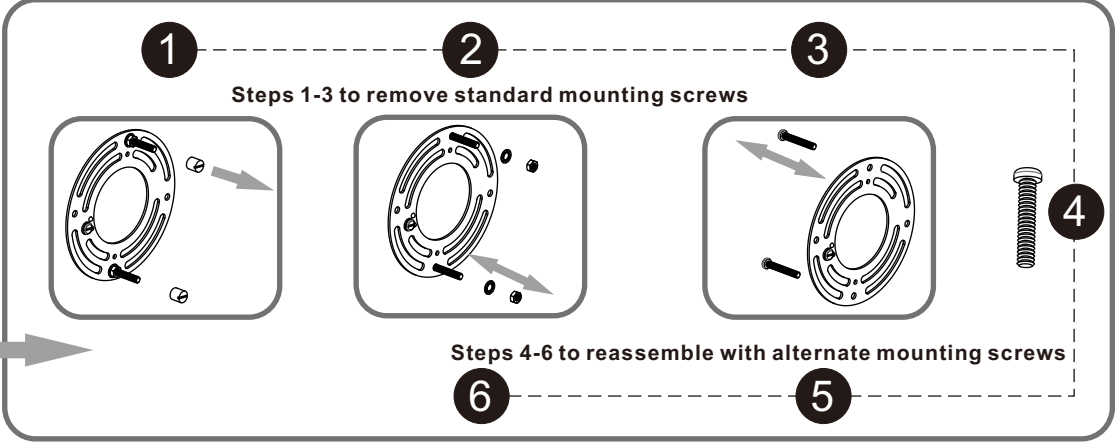
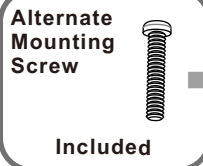
Alternate Mounting Screw	Crossbar Assembly	Cage & Glass Shade	Wiring	Fixture Body	Bulb
					
<b>STEP 1</b>	<b>STEP 2</b>	<b>STEP 3</b>	<b>STEP 4</b>	<b>STEP 5</b>	<b>STEP 6</b>

# STEP 1

OPTION 1



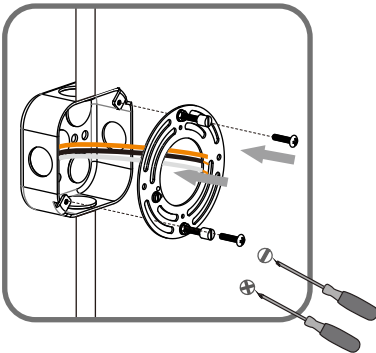
OPTION 2



# STEP 2

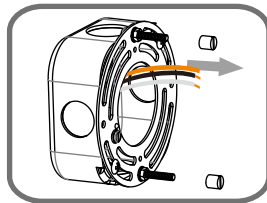
1

Step 1  
Install crossbar assembly

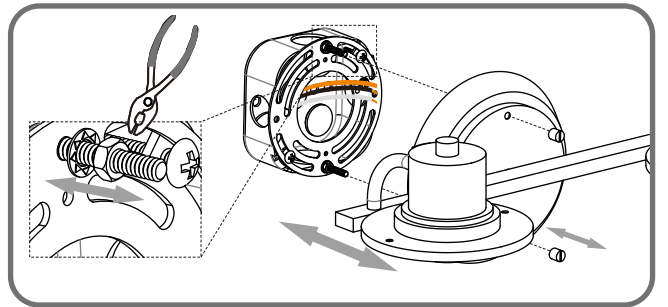


2

Step 2 - 3  
Test fitting backplate to mounting screws



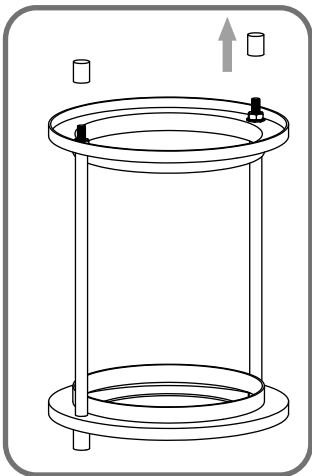
3



# STEP 3

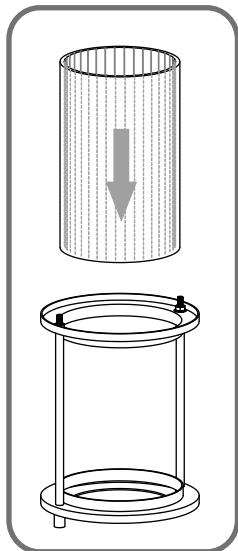
1

Remove lock balls



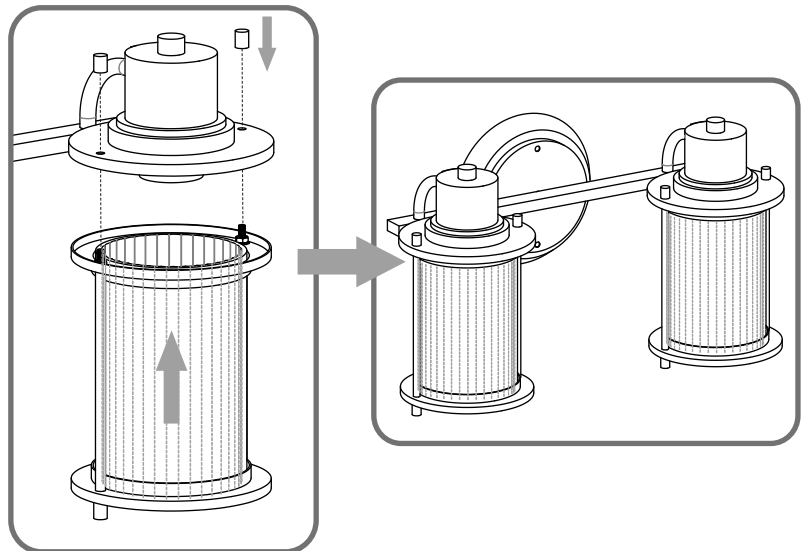
2

Install glass

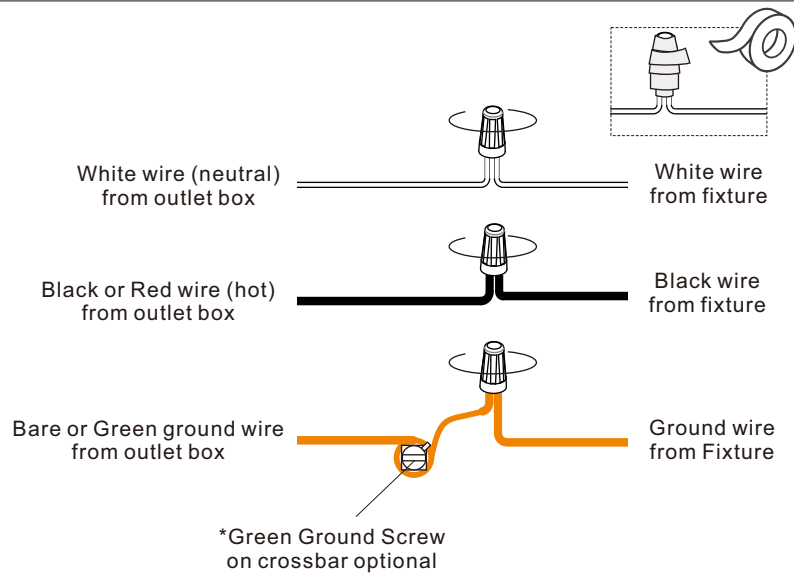


3

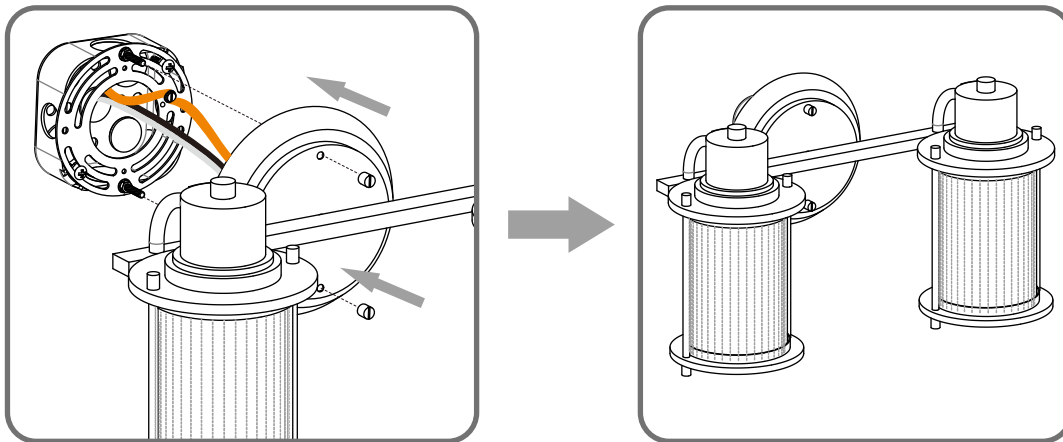
Install cage with glass



## STEP 4



## STEP 5



## STEP 6

