

Please go to www.quirzel.com for product cleaning tips. Go to the **Care + Maintenance** selection.

Tools Required: Flathead screwdriver, Phillips screwdriver, pliers, wire cutters, wire strippers, electrical tape, safety glasses.

Light Source: (3) G9 Clear Xenon Bulbs 40W Maximum, bulbs not included.

Estimated Assembly Time: 20-30 minutes

Preparation: Identify and inspect all parts before beginning installation. Check package content list and diagrams below to ensure all parts are present. If any parts are missing or damaged, do not attempt to assemble, install, or operate the fixture. Contact your original place of purchase.

⚠ Warnings and Cautions

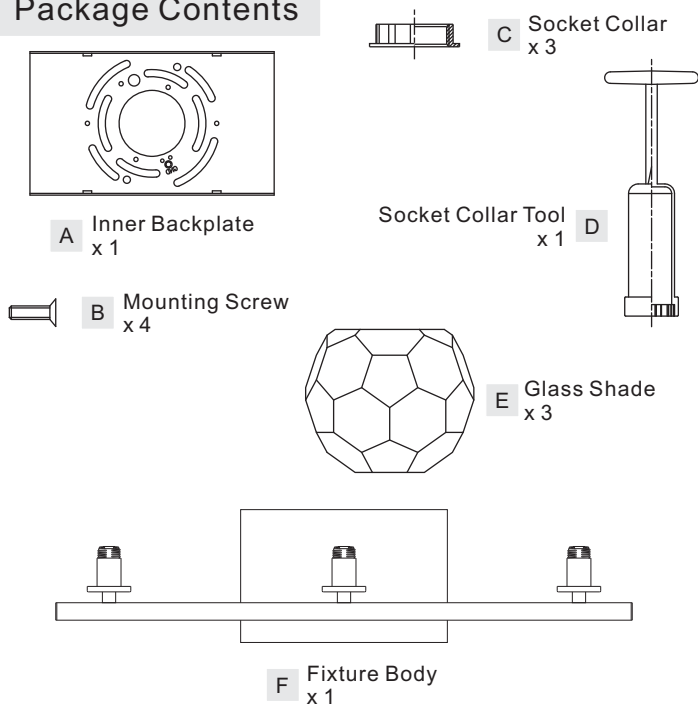
Turn off electricity at circuit breaker or main fuse box before installation. Consult a licensed electrician if in doubt.

These instructions are provided for your safety. It is very important you read them completely before installing the fixture. We strongly recommend that a licensed, professional electrician perform the installation.

Disconnect fixture from power source before replacing bulbs. Make sure bulbs are given sufficient time to cool before removal.

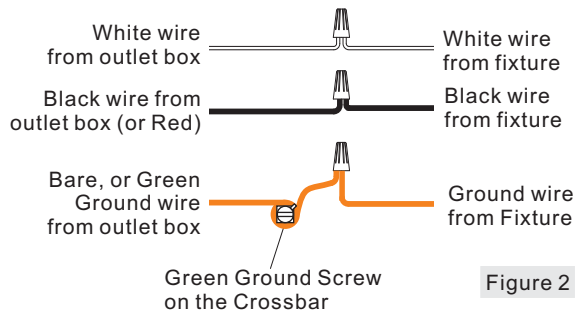
Do not touch the bulb with bare hands use a cloth or glove.

Package Contents



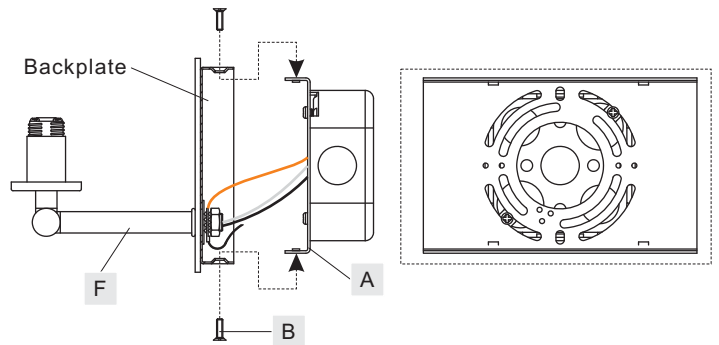
STEP 2 - Wire Connections

- A. Wrap bare or green ground wire around green ground screw on the crossbar, no less than 2 inches from the end of the wire. Tighten the green ground screw.
- B. Use standard wire connectors (not included) to make all wire connections. Twist connectors until wires are tightly joined together. Wrap each connection with approved electrical tape and carefully stuff all the connected wires into the Outlet Box.



STEP 3 - Install the Fixture Body

- A. Place the backplate of the Fixture Body (F) onto the Inner Backplate (A) and secure with Mounting Screws (B). Tighten until snug with screwdrivers.



STEP 1 - Install the Inner Backplate to the junction box

- A. Attach the Inner Backplate (A) to the Outlet Box with the mounting holes on the side. Secure it with Outlet Box Screws (not included), tighten until snug.

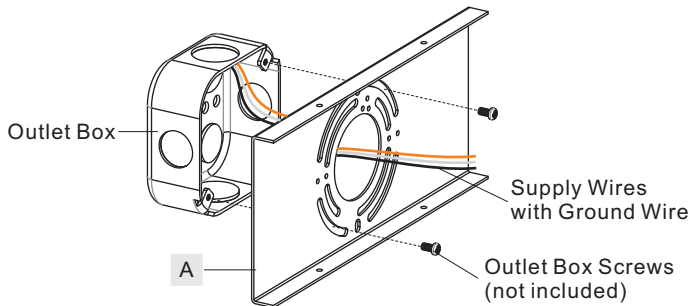


Figure 1

Figure 3

STEP 4 - Install Glass Shade

A. Place the Glass Shade (E) over the socket. By using the Socket Collar Tool (D), thread the Socket Collar (C) onto the socket to secure the Glass Shade (E). Hand tighten until snug.

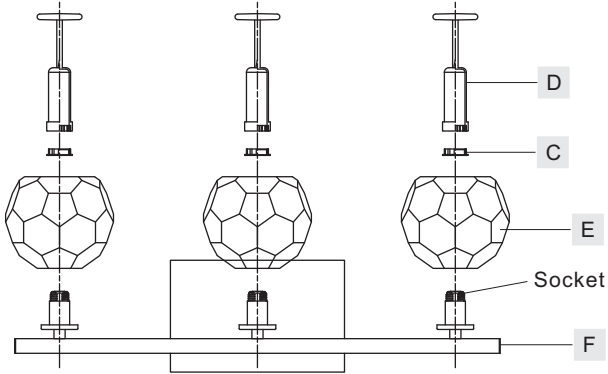


Figure 4

STEP 5 - Install Bulbs

A. Insert bulbs onto sockets and push snugly into properly.

Your fixture is now assembled and ready to use. Enjoy!

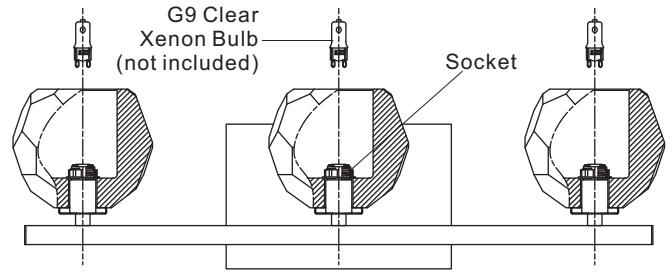


Figure 5

CAUTION FOR BULB REPLACING

- A. When replace bulb, turn off power and allow lamp to cool. For safety purpose, wear gloves and eye protection.
- B. If bulb is scratched or cracked, DO NOT use the lamp to avoid breakage during use or installation.
- C. Use only in fixtures rated for lamps wattage and voltage.
- D. Lamp operate under high pressure generating intense heat. Prevent contact with liquid and combustible materials.

RG8603C

FINISH: POLISHED CHROME

NOTE: ALL DIMENSIONS ARE ROUNDED UP TO THE NEAREST 1/4"

