

Please go to www.quoise.com for product cleaning tips. Go to the **Care + Maintenance** selection.

Tools Required: Flathead screwdriver, Phillips screwdriver, pliers, wire cutters, wire strippers, electrical tape, safety glasses, marking pen, 1/4" drill bit and drill.

Light Source: LED 36W

Fixture Hanging Height: Minimum Hanging Height is 15", Maximum Hanging Height is 111".

Estimated Assembly Time: 30-45 minutes

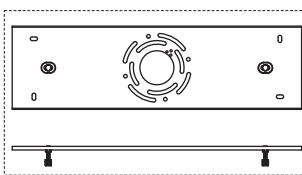
Preparation: Identify and inspect all parts before beginning installation. Check package content list and diagrams below to be sure all parts are present. If any parts are missing or damaged, do not attempt to assemble, install, or operate the fixture. Contact your original place of purchase.

⚠ Warnings and Cautions

Turn off electricity at circuit breaker or main fuse box before installation. Consult a licensed electrician if in doubt.

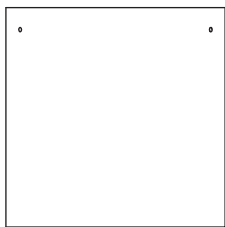
These instructions are provided for your safety. It is very important you read them completely before installing the fixture. We strongly recommend that a licensed, professional electrician perform the installation.

Package Contents



A Inner Backplate
x 1

F Threaded Rod
x 9



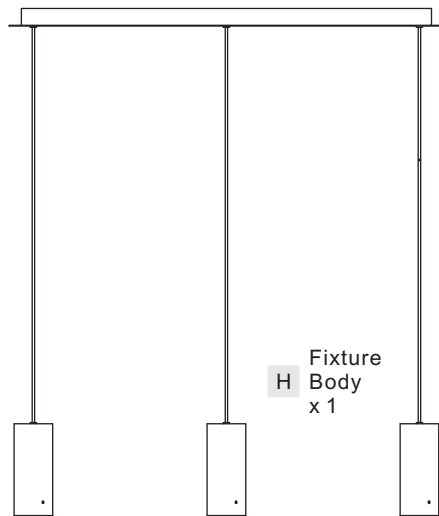
G Glass Shade
x 3

B Wall Anchor
x 4

C Screw
x 4

D Washer
x 4

E Lock Screw
x 9



H Fixture Body
x 1

I Diffuser
x 3

STEP 1 – Install Diffuser

A. Thread the Diffuser (I) onto the bottom ends of the Fixture Body (H) as shown. Hand tighten until snug.

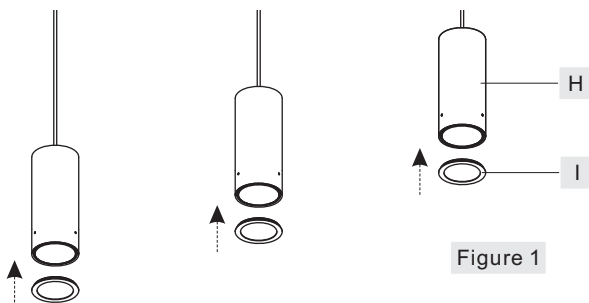


Figure 1

STEP 2 – Adjust Fixture Height

A. With screwdrivers, remove the screw to open the cable clamp in the ceiling canopy.

B. Move each cable in or out of the ceiling canopy to achieve your desired hanging height. Once your desired hanging height is achieved, place the cable to the cable clamp in the ceiling canopy and secure with the screw previously removed. Tighten until snug with screwdrivers.

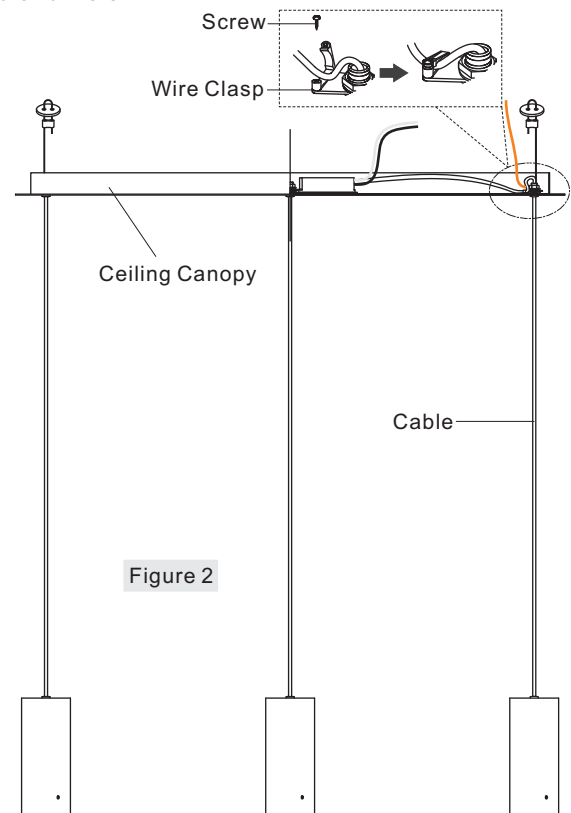


Figure 2

STEP 3 – Attach Inner Backplate to Outlet Box

- Attach the Inner Backplate (A) onto the outlet box and make two marks on the ceiling from a set of slot holes.
- Remove the Inner Backplate (A). Using a 1/4" drill bit, drill holes at each (2) locations marked on the ceiling.
- Insert Wall Anchors (B) into drilled holes completely.
- Pass supply wires and ground wire through the center hole of the Inner Backplate (A). Attach the Inner Backplate (A) to outlet box. Thread outlet box screws (not included) into mounting holes on the outlet box. Pass Washers (D) over Screws (C) and thread

(Step 3 Continued)

Screws (C) into Wall Anchors (B). Hand tighten until snug with screwdrivers.

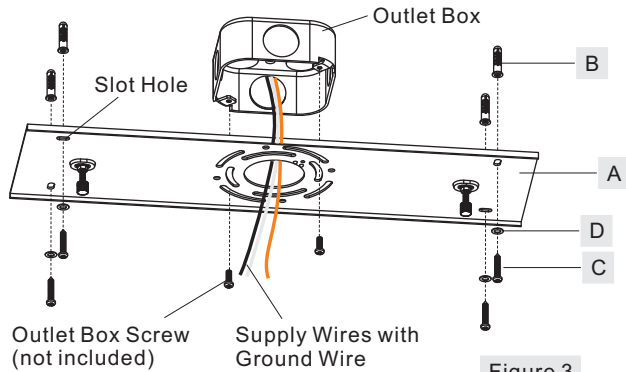


Figure 3

STEP 4 - Test Fitting Ceiling Canopy to Inner Backplate

A. Remove mounting balls from the Inner Backplate (A). Fit the ceiling canopy to the Inner Backplate (A) and secure with mounting balls. Note: The ceiling canopy should be snug against the ceiling and the mounting balls. If not, adjust the length of the nipple on the Inner Backplate (A) by unscrewing the preassembled hex nut and lock washer and then screwing the mounting screws in or out of the crossbar until the correct length is achieved. Once the ceiling canopy is secure, remove the mounting ball and ceiling canopy and proceed to Step 5.

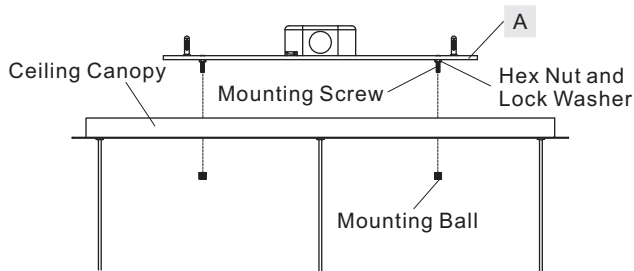


Figure 4

STEP 5 - Attach Lanyards

A. The purpose of the lanyard is to provide a means to support the fixture hands free from the junction box while connecting the electrical wires.
B. Turn the Button Stop so it may be inserted into a Inner Backplate slot. Make sure the Button Stop is completely inside the Inner Backplate. Slowly release the fixture to make sure it is supported by the Button Stop. Proceed to the wiring steps in the next step. Once you are complete with the wiring, the Lanyard will push into the junction box when the fixture is placed for final mounting.

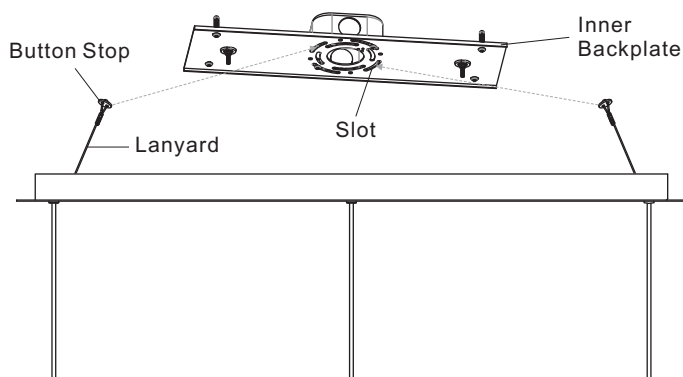


Figure 5

STEP 6 - Wire Connections

A. Wrap bare or green ground wire around green ground screw on the crossbar, no less than 2 inches from the end of the wire. Tighten the green ground screw.
B. Use standard wire connectors (not included) to make all wire connections. Twist connectors until wires are tightly joined together. Wrap each connection with approved electrical tape and carefully stuff all the connected wires into the Outlet Box.

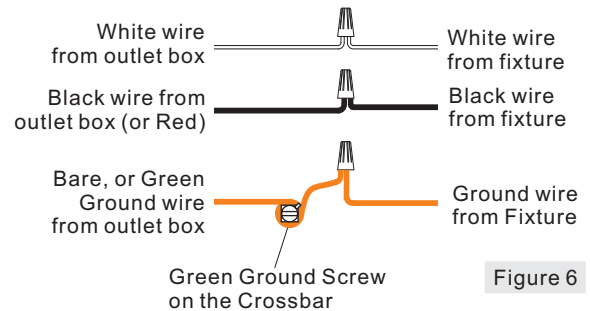


Figure 6

STEP 7 - Install the Fixture Body

A. Carefully tuck all wires into the outlet box and position the ceiling canopy over the outlet box. Align the holes in the ceiling canopy with the mounting screws, then attach the ceiling canopy using the previously removed mounting balls. Hand tighten until snug.

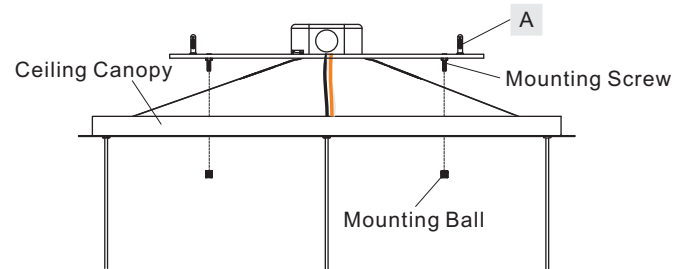


Figure 7

STEP 8 - Install Glass Shade

A. Thread the Threaded Rod (F) onto the Fixture Body (H) and hand tighten until snug.
B. Place the Shade (G) over the Fixture Body (H) and align holes on the side of the Shade (G) to Threaded Rods (F) and secure with Lock Screws (E). Hand tighten until snug.

Your fixture is now assembled and ready to use. Enjoy!

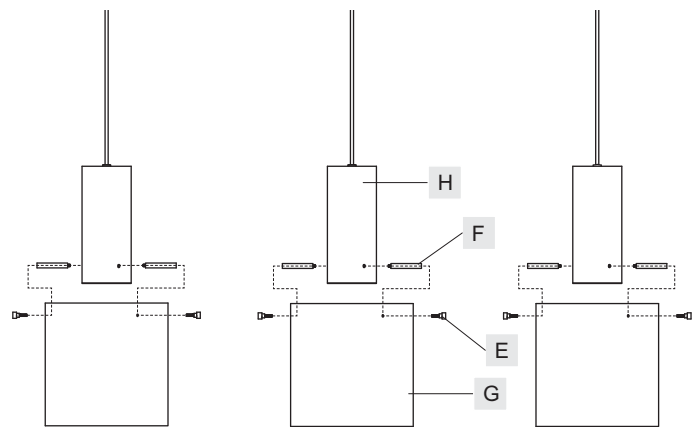
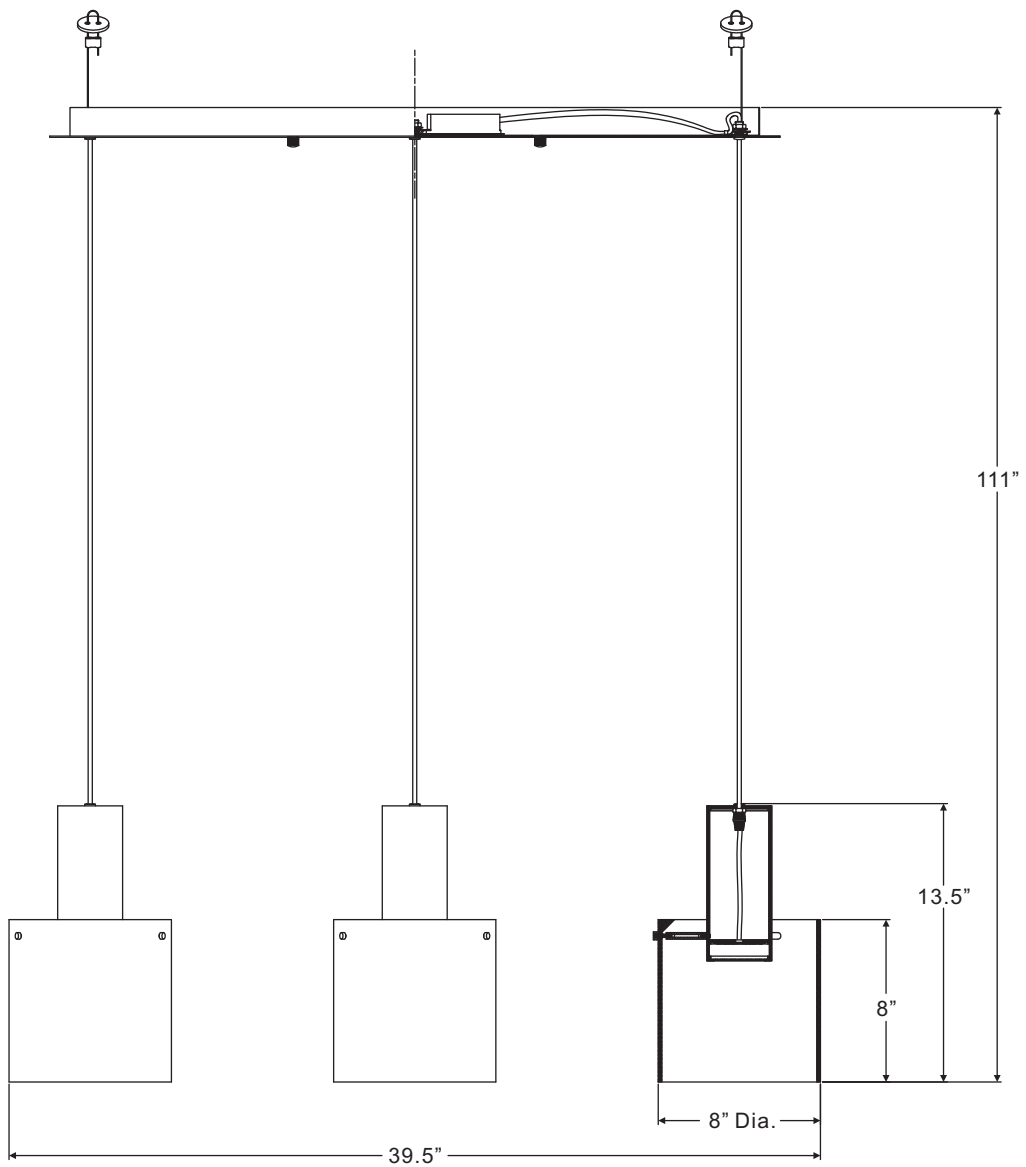
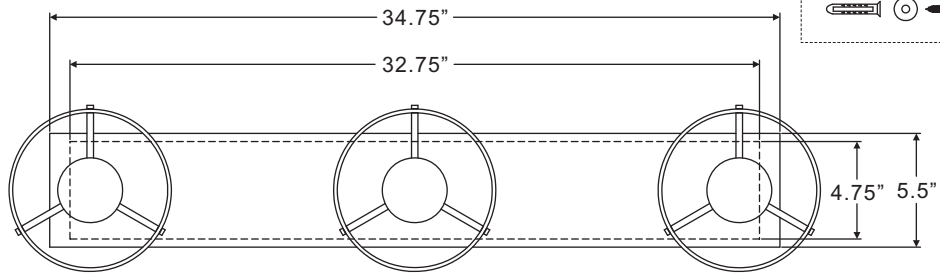
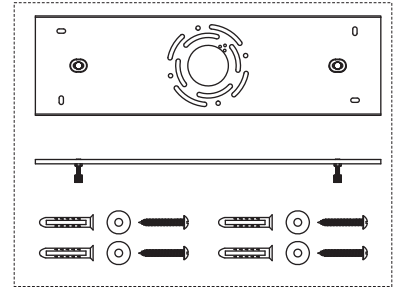


Figure 8

PCKR336EK

FINISH: EARTH BLACK



NOTE: ALL DIMENSIONS ARE ROUNDED UP TO THE NEAREST 1/4"