

Assembly Instruction Sheet #IS-OZ1613

For Style OZ1613PN and OZ1613IN

Quoizel, Inc.
6 Corporate Parkway
Goose Creek, SC 29445

Customer Service
Phone 631.273.2700
Fax 631.231.7102
www.quoizel.com

Tools Required: Flathead screwdriver, Phillips screwdriver, pliers, wire cutters, wire strippers, electrical tape, safety glasses.

Bulb Recommended: (2) Medium Base 60W Maximum, Alternate bulb (2) 13W CFL

Estimated Assembly Time: 20-30 minutes

Preparation: Identify and inspect all parts before beginning installation. Check package content list and diagrams below to be sure all parts are present. If any parts are missing or damaged, do not attempt to assemble, install, or operate the fixture. Contact customer service for replacement parts.

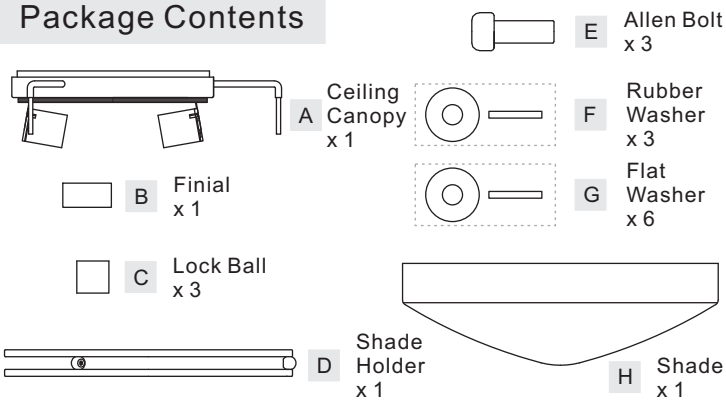
⚠ Warnings and Cautions

Turn off electricity at circuit breaker or main fuse box before installation. Consult a licensed electrician if in doubt.

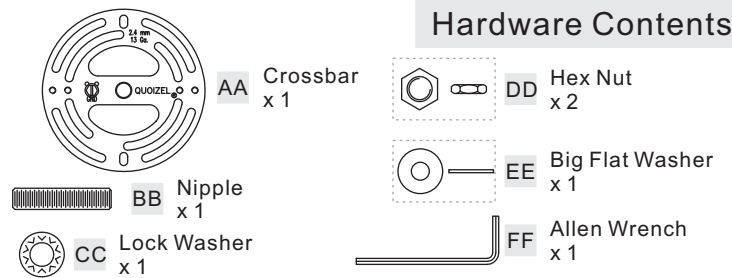
These instructions are provided for your safety. It is very important you read them completely before installing the fixture. We strongly recommend that a licensed, professional electrician perform the installation.

Disconnect fixture from power source before replacing bulbs. Make sure bulbs are given sufficient time to cool before removal. Do not subject glass parts to any shock while in operation or shattering may result.

Package Contents



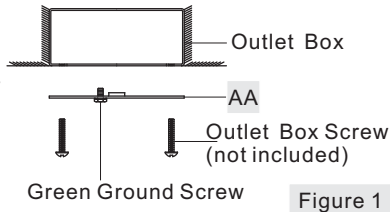
Hardware Contents



(BB). Thread this Hex Nut (DD) on just enough so the inside surface of the Ceiling Canopy (A) rests against it. * You may have to trial fit the Ceiling Canopy (A) one more times to insure this distance also. This Hex Nut (DD) is needed here to prevent you from crushing down the center of the Ceiling Canopy (A).

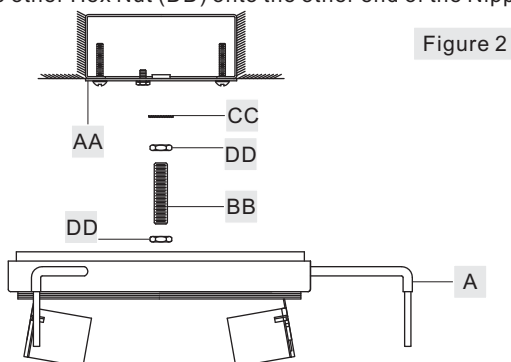
STEP 1 - Install Crossbar

A. Attach the Crossbar (AA) to the Outlet Box with the head of the Green Ground Screw facing you. Secure it with Outlet Box Screws (not included). Tighten until snug.



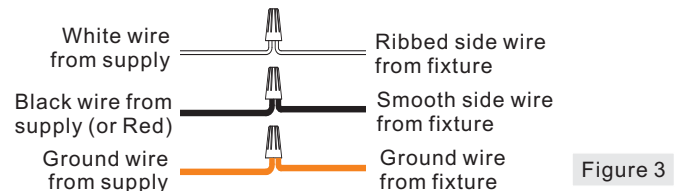
STEP 2 - Attach Nipple to Crossbar

- Thread one Hex Nut (DD) onto the top end of the Nipple (BB).
- Place one Lock Washer (CC) over the top end of the Nipple (BB) and then thread the Nipple (BB) into the center lock hole of the Crossbar (AA).
- Using pliers, thread the Hex Nut (DD) against the Crossbar (AA) and hand tighten until snug.
- Thread the other Hex Nut (DD) onto the other end of the Nipple



STEP 3 - Wire Connections

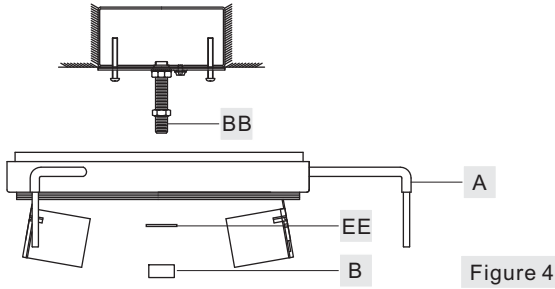
- Use standard wire connectors (not included) to make all wire connections. (Connectors are not included with fixture.) Strip and prepare wire ends according to instructions supplied with connectors.
- Connect White Supply Wire from the Outlet Box to Ribbed side Wire from fixture.
- Connect Black (or Red) Supply Wire from the Outlet Box to Smooth side Wire from fixture.
- Connect Ground Wire from the Outlet Box to Ground Wire from fixture.
- Twist connectors until wires are tightly joined together.
- Wrap each connection with approved electrical tape and carefully stuff all the connected wires into the Outlet Box.



Thank you for purchasing a Quoizel product.
Need assistance with parts or assembly? Call Quoizel customer service at 1-631-273-2700
or visit us on-line at www.quoizel.com

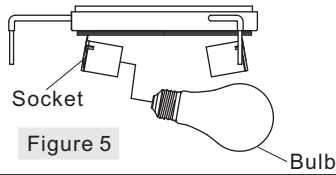
STEP 4 – Attach Ceiling Canopy

- A. Position the Ceiling Canopy (A) to the ceiling by passing the Nipple (BB) through the center hole.
 - B. Slip on the Big Flat Washer (EE) and then thread the Finial (B) to the bottom end of the Nipple (BB). Snug down assembly until the Ceiling Canopy (A) is flush against the ceiling.
- * Be sure that there are no trapped or pinched wires along the edge of the Ceiling Canopy (A).



STEP 5 – Install Bulb

- A. This fixture uses standard bulb with a medium screw base. Maximum 60 watts.
- B. Insert bulb and screw snugly into place.



STEP 6 – Attach Shade to Shade Holder

- A. Place Flat Washers (G) and the Rubber Washer (F) over the Allen Bolt (E).
- B. Place the Shade (H) into the Shade Holder (D), line up the holes on the side of the Shade (H) and the mounting holes on the Balls. Pass the Allen Bolts (E) with washers (F/G) through the holes on the Shade (H), thread into the mounting holes on the Balls by using the Allen Wrench (FF). Please make sure that the Allen Bolts (E) don't penetrate opening of the Ball, this will allow the support arms to pass through the Ball to attach the Shade (H) to the Ceiling Canopy (A).

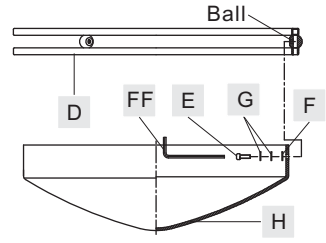


Figure 6

STEP 7 – Install Shade

- A. Pass the hole on the Shade Holder (D) through the Bolts on the side of the Ceiling Canopy (A) and secure with the Lock Balls (C). Hand tighten until snug.

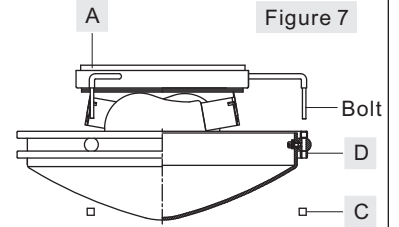
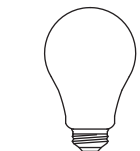
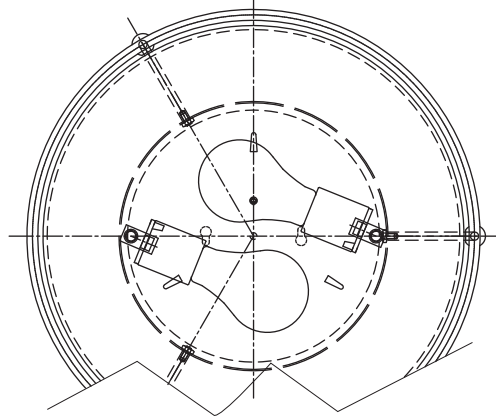
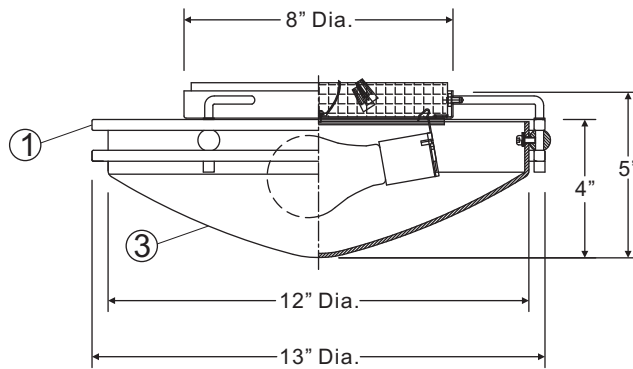
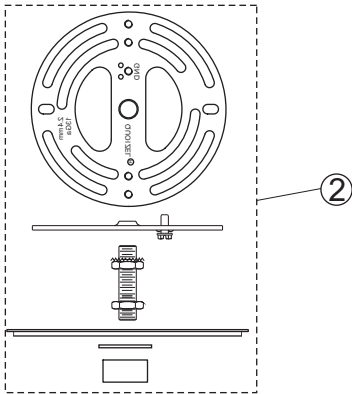


Figure 7

Your fixture is now assembled and ready to use. Enjoy!

OZ1613PN/OZ1613IN

FINISH: PALLADIAN BRONZE /IRON GATE



(2) 60W Medium Base Bulbs (Not Supplied)

NOTE: ALL DIMENSIONS ARE ROUNDED UP TO THE NEAREST 1/2"

NO.	PART NUMBER	REPLACEMENT PART DESCRIPTION	REQ.	ITEM NUMBER
1	11613INOZ	BASE IRON GATE FOR OZ1613IN	1	OZ1613IN
2	8602KIT	KIT QMH-13 REPLACEMENT	1	
3	G2236SH	SHADE ETCHED WITH WHITE PAINTED INSIDE 12.5"D	1	

Thank you for purchasing a Quoizel product.
Need assistance with parts or assembly? Call Quoizel customer service at 1-631-273-2700 or visit us on-line at www.quoizel.com