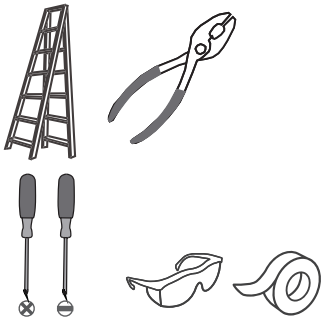
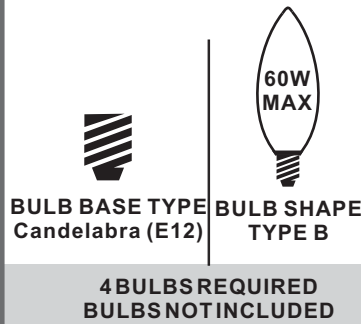


**Tools Required**



**Light Source**



**Warnings and Cautions**

Turn off the electricity at the circuit breaker before installation. Consult a licensed electrician if in doubt about installation.

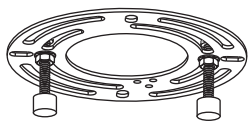
Turn off power to the fixture and allow the bulbs to cool before replacing.

**Package Contents**

**Preparation:** Identify and inspect all parts before beginning the installation.

Missing or damaged parts? Contact your original place of purchase.

**PARTS BAG**



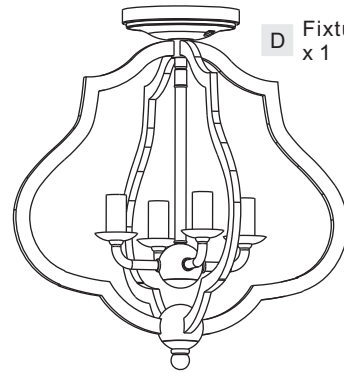
**A** Crossbar Assembly x 1



**B** Outlet Box Screw x 2



**C** Wire Connector x 3



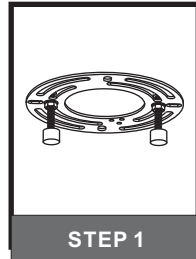
**D** Fixture Body x 1



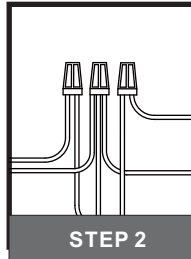
**E** Optional Candle Cover x 4

**Table of Contents**

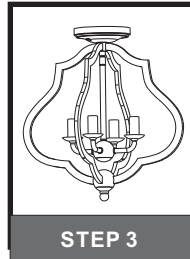
**Crossbar Assembly**



**Wiring**



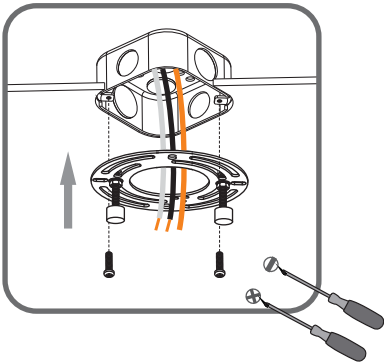
**Fixture Body**



## STEP 1

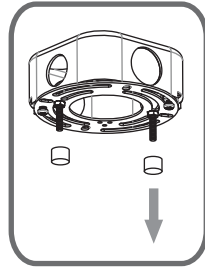
1

Step 1  
Install crossbar assembly

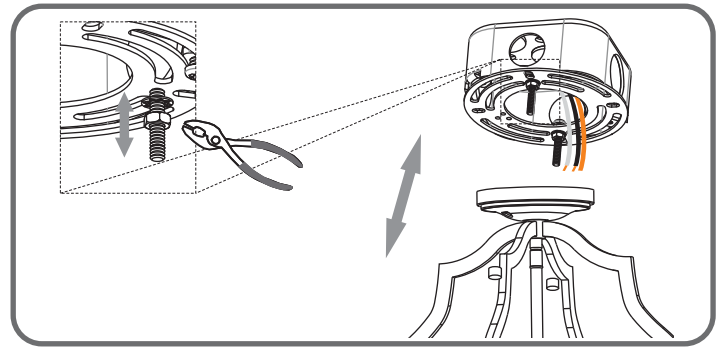


2

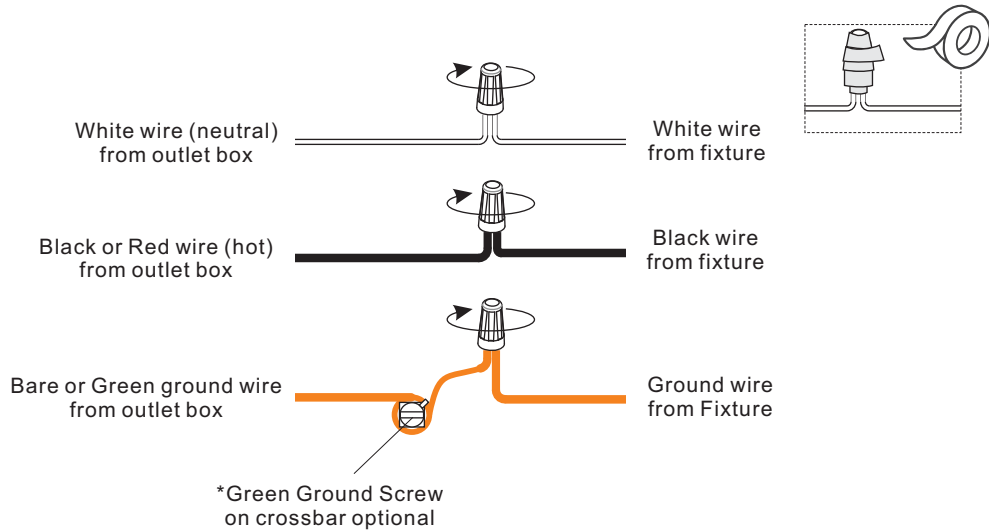
Step 2 - 3  
Test fitting backplate to mounting screws



3



## STEP 2



## STEP 3

