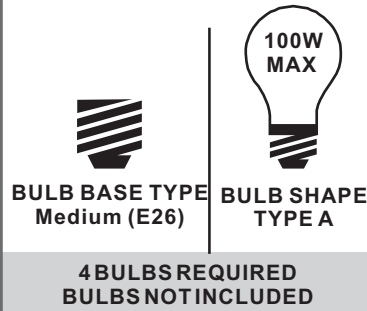


Tools Required



Light Source



Warnings and Cautions

Turn off the electricity at the circuit breaker before installation. Consult a licensed electrician if in doubt about installation.

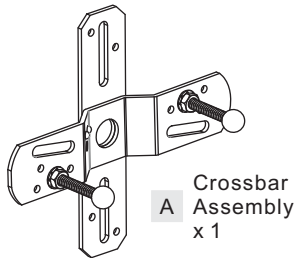
Turn off power to the fixture and allow the bulbs to cool before replacing.

Package Contents

Preparation: Identify and inspect all parts before beginning the installation.

Missing or damaged parts? Contact your original place of purchase.

PARTS BAG



- B** Alternate Mounting Screw x 2
- C** Outlet Box Screw x 2
- D** Wire Connector x 3

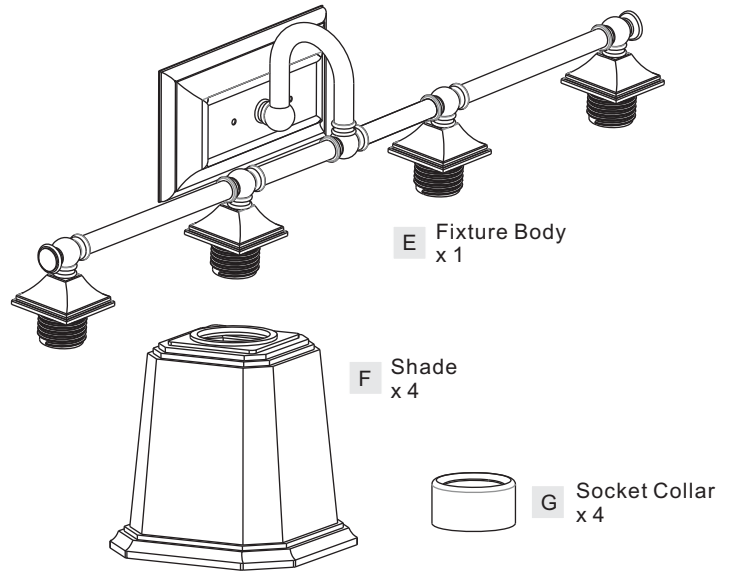
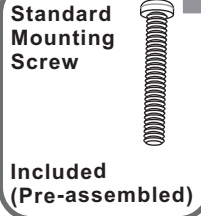


Table of Contents

Alternate Mounting Screw	Crossbar Assembly	Wiring	Fixture Body	Shade & Bulb
STEP 1	STEP 2	STEP 3	STEP 4	STEP 5

STEP 1

OPTION 1



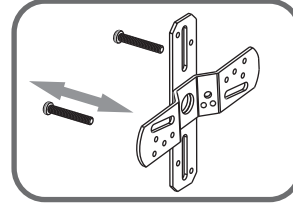
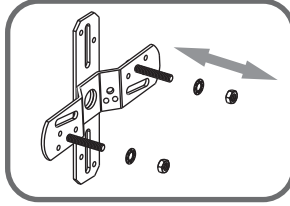
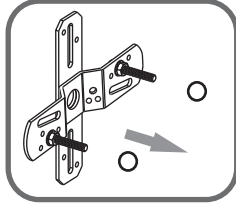
skip to next page

1

2

3

Steps 1-3 to remove standard mounting screws



OPTION 2



Steps 4-6 to reassemble with alternate mounting screws

6

5

STEP 2

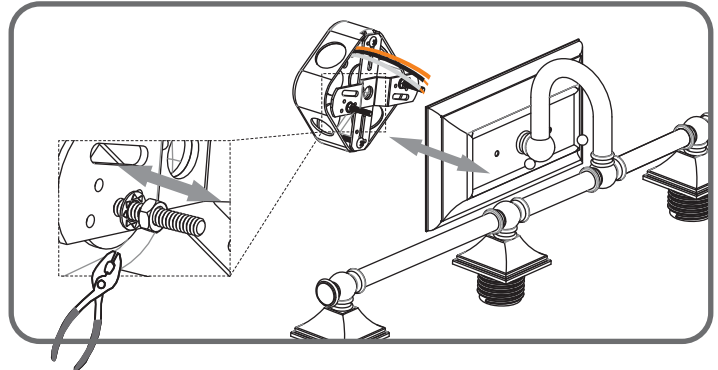
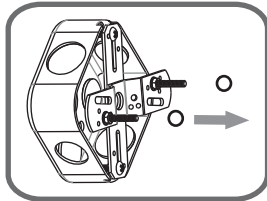
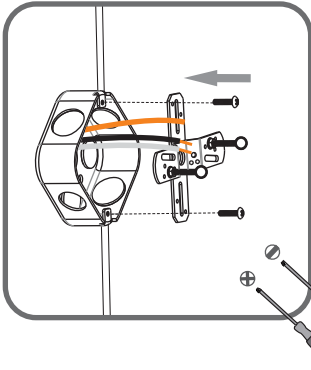
1

2

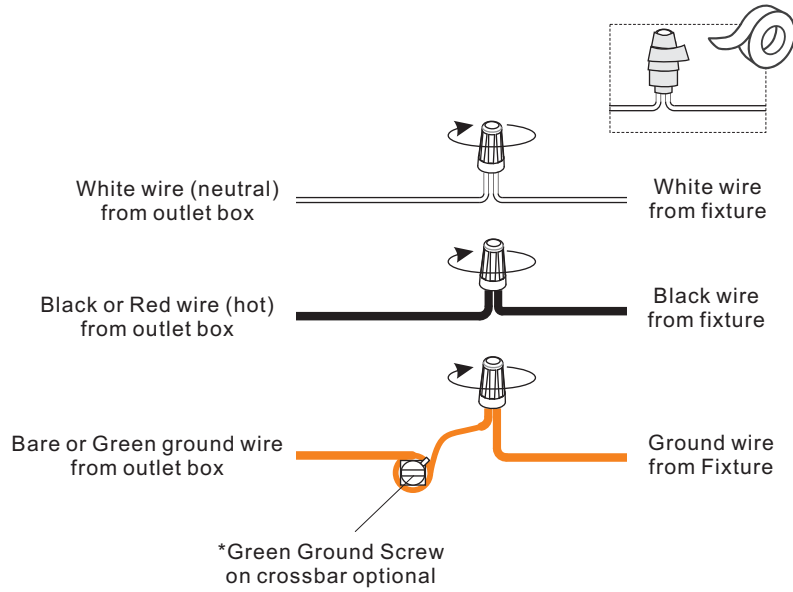
3

Step 1
Install crossbar assembly

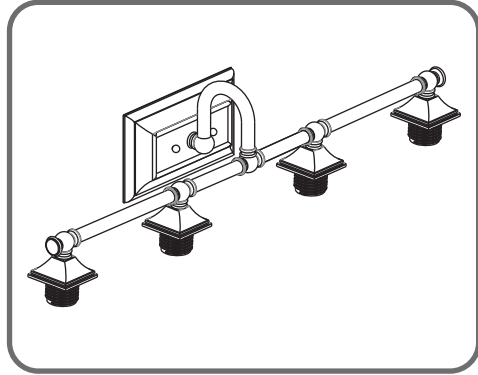
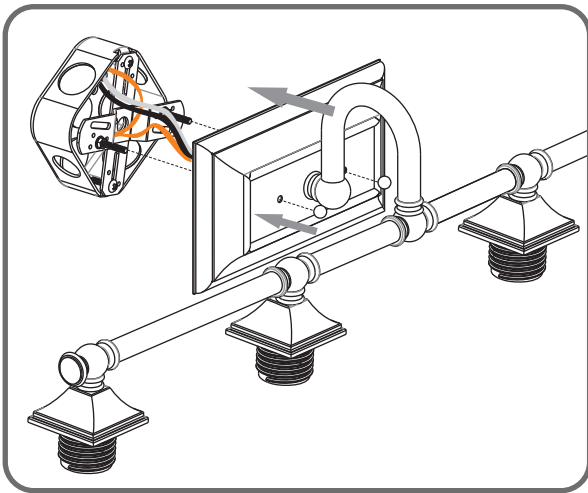
Step 2 - 3
Test fitting backplate to mounting screws



STEP 3



STEP 4



STEP 5

