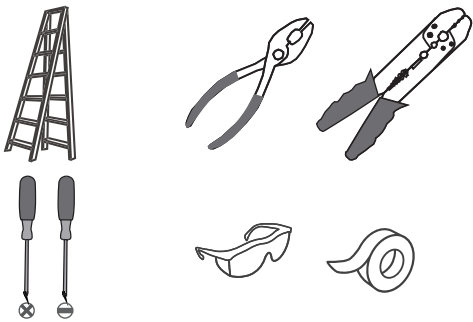
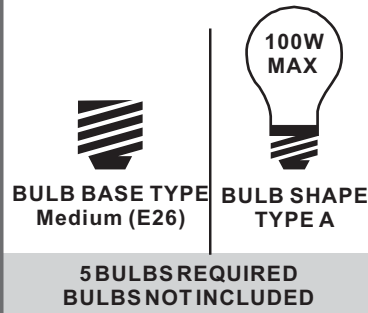


**Tools Required**



**Light Source**



**Fixture Height Adjustable  
14.25" to 50"**

**Warnings and Cautions**

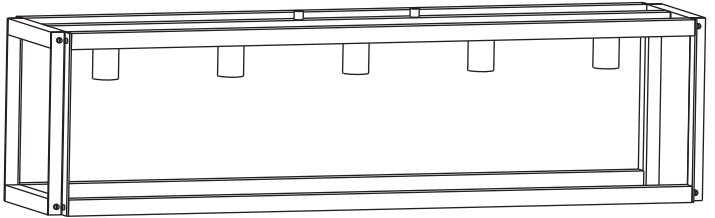
Turn off the electricity at the circuit breaker before installation. Consult a licensed electrician if in doubt about installation.

Turn off power to the fixture and allow the bulbs to cool before replacing.

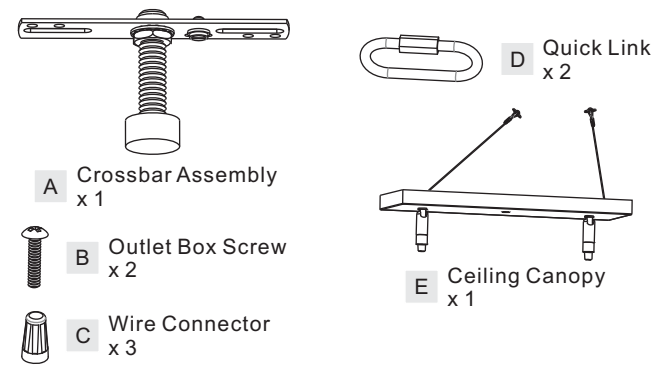
**Package Contents**

**Preparation:** Identify and inspect all parts before beginning the installation.

Missing or damaged parts? Contact your original place of purchase.



**PARTS BAG**



F Fixture Body x 1

G 6" L Rod x 4

H 12" L Rod x 4

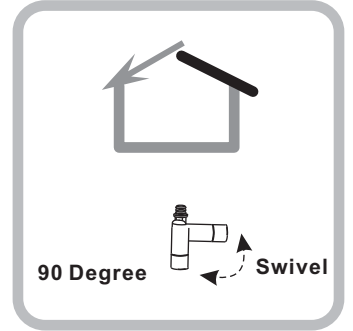
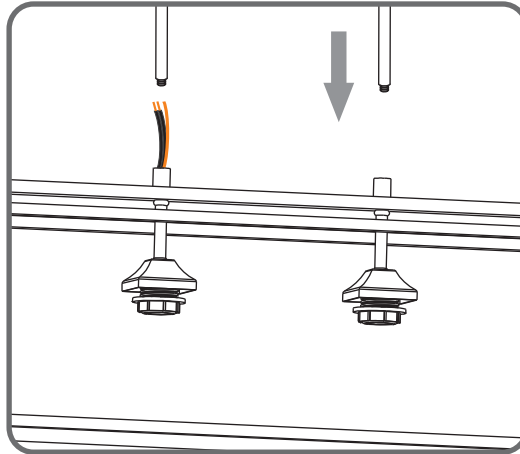
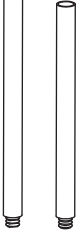
**Table of Contents**

Rods	Crossbar Assembly	Ceiling Canopy	Lanyard	Wiring	Ceiling Canopy	Bulb
STEP 1	STEP 2	STEP 3	STEP 4	STEP 5	STEP 6	STEP 7

## STEP 1

### Optional Rods

- 8' ceiling:  
(2) 6"L + (2) 12"L rods
- 9' ceiling:  
(2) 6"L + (4) 12"L rods
- 10' ceiling:  
(4) 6"L + (4) 12"L rods

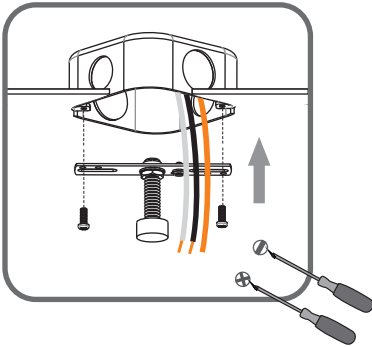


For angled ceilings,  
Swivel opening towards wall.

## STEP 2

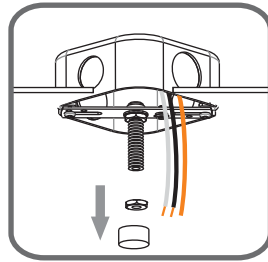
1

Step 1  
Install crossbar assembly

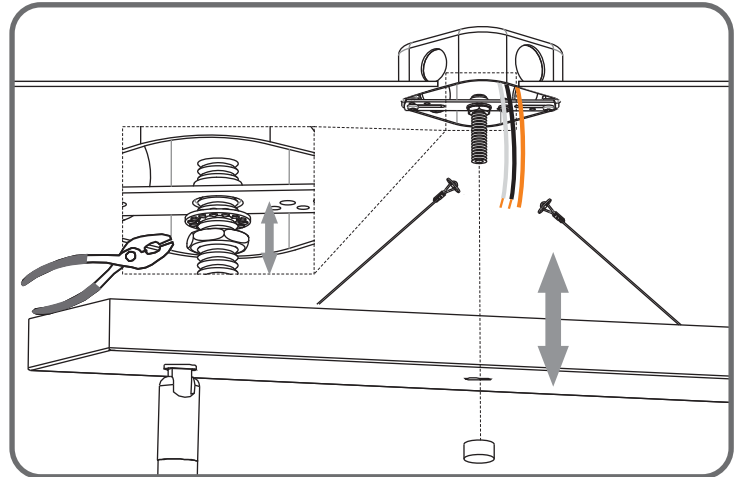


2

Step 2 - 3  
Test fitting ceiling canopy to nipple

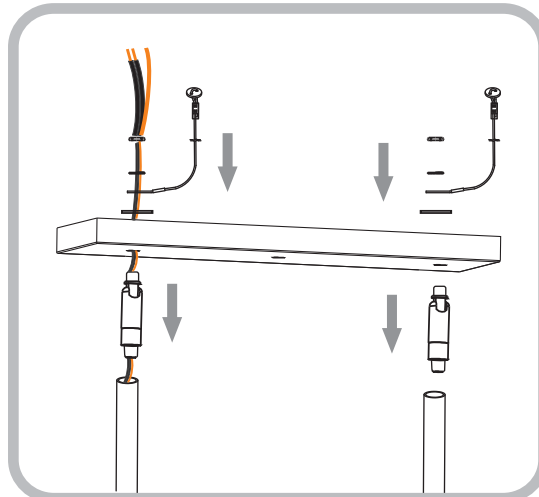
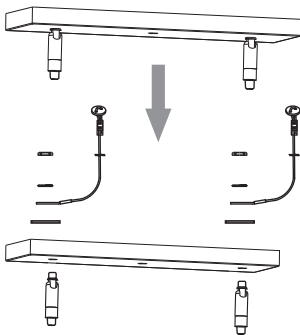


3

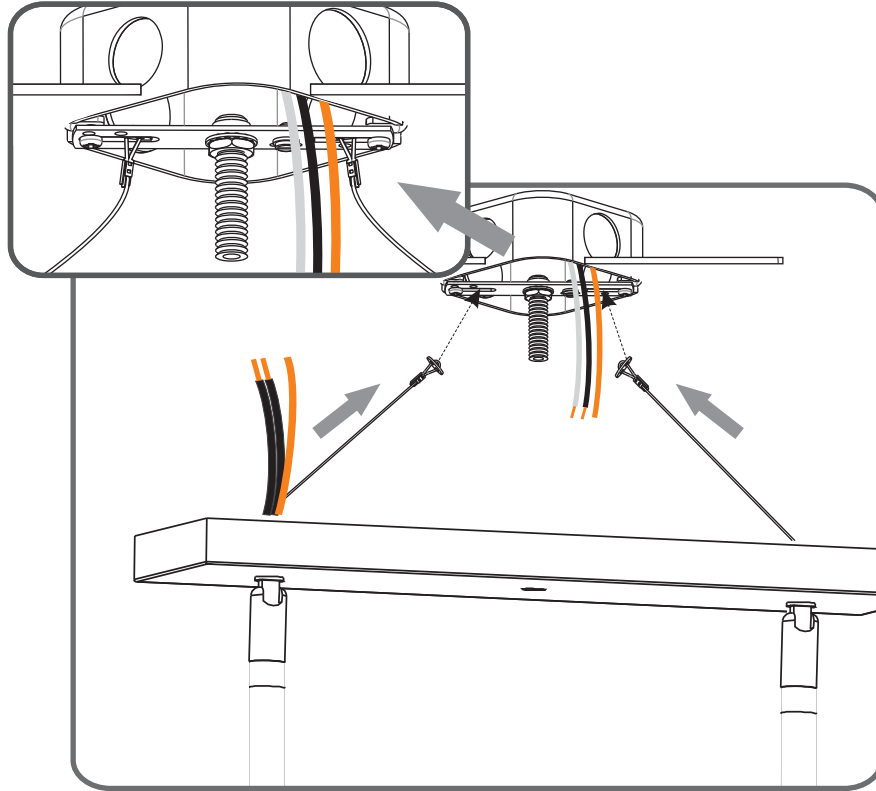


## STEP 3

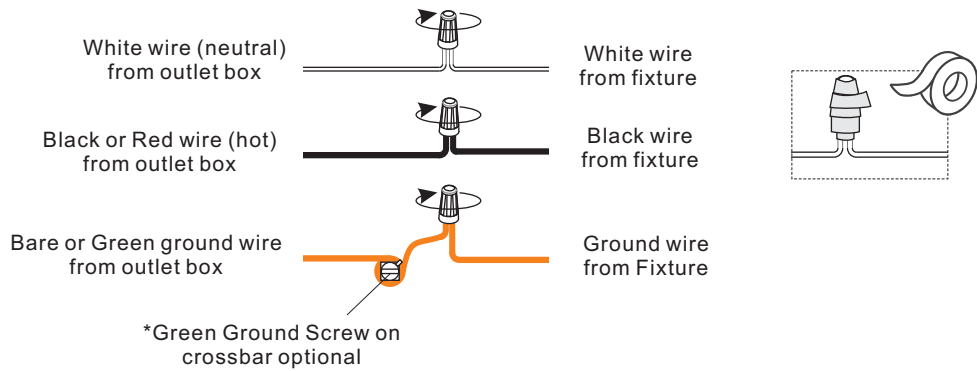
Unlock hex nuts inside of the ceiling canopy to separate swivels from the ceiling canopy.



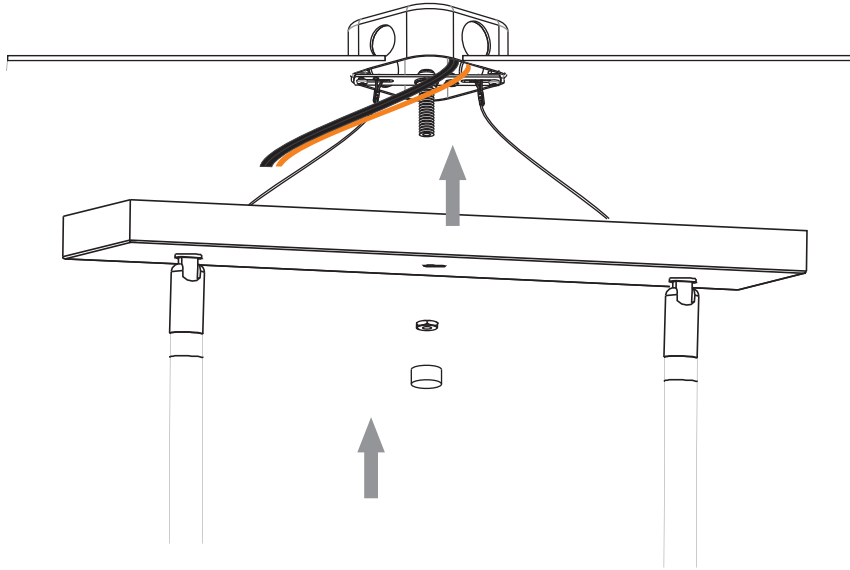
## STEP 4



## STEP 5



**STEP 6**



**STEP 7**

