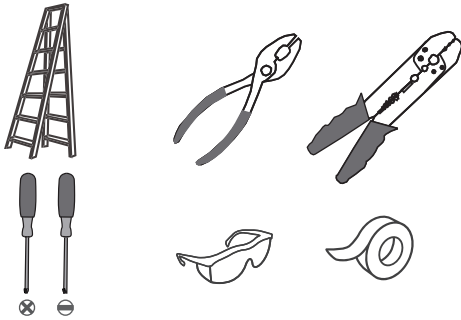
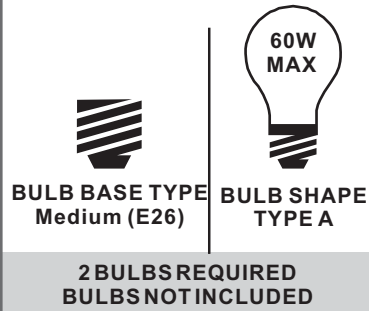


Tools Required



Light Source



Warnings and Cautions

Turn off the electricity at the circuit breaker before installation. Consult a licensed electrician if in doubt about installation.

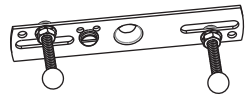
Turn off power to the fixture and allow the bulbs to cool before replacing.

Package Contents

Preparation: Identify and inspect all parts before beginning the installation.

Missing or damaged parts? Contact your original place of purchase.

PARTS BAG



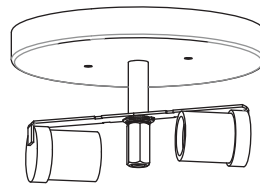
A Crossbar Assembly x 1



B Outlet Box Screw x 2



C Wire Connector x 3



D Fixture Body x 1



E Stem with Hex Nuts x 1



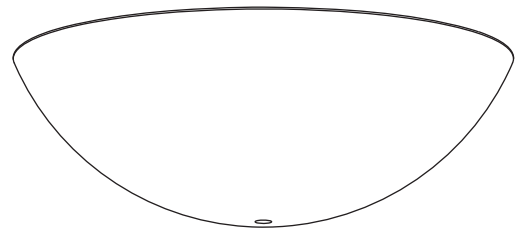
F Hex Nut x 1



G Flat Washer x 2



H Rubber Washer x 2



I Shade x 1



J Shade Holder x 1



K Cap x 1



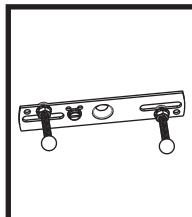
L Check Ring x 1



M Finial x 1

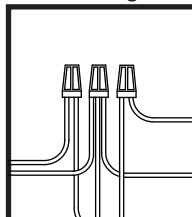
Table of Contents

Crossbar Assembly



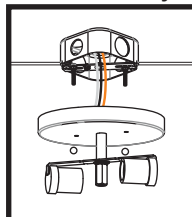
STEP 1

Wiring



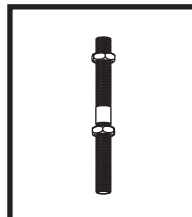
STEP 2

Fixture Body



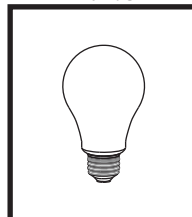
STEP 3

Stem & Hex Nuts



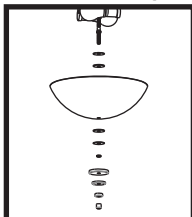
STEP 4

Bulbs



STEP 5

Shade & Cap

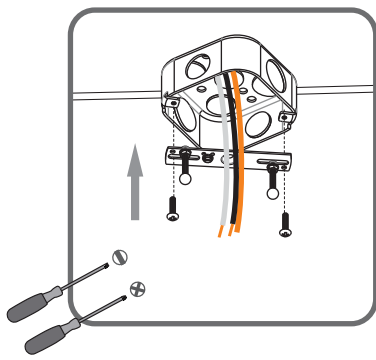


STEP 6

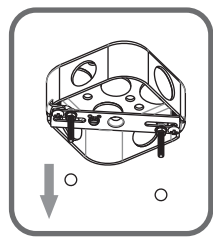
STEP 1

1

Step 1
Install crossbar assembly

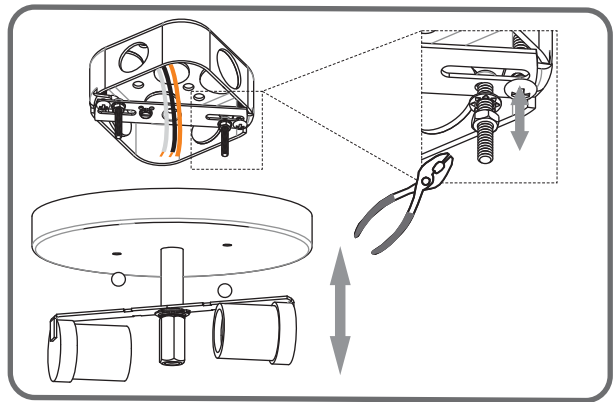


2

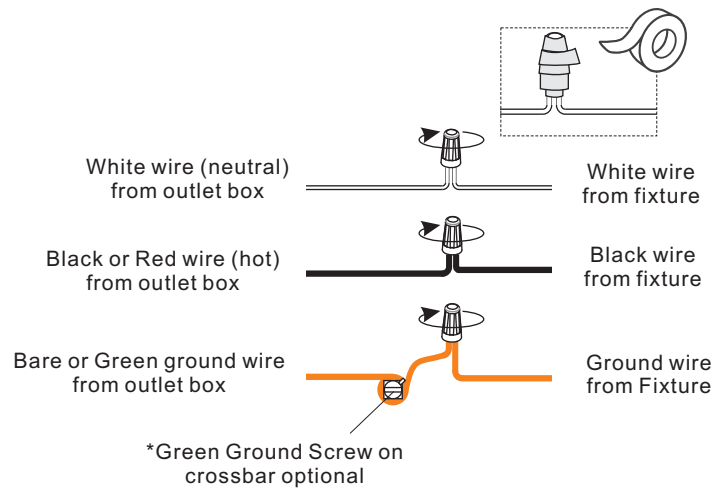


3

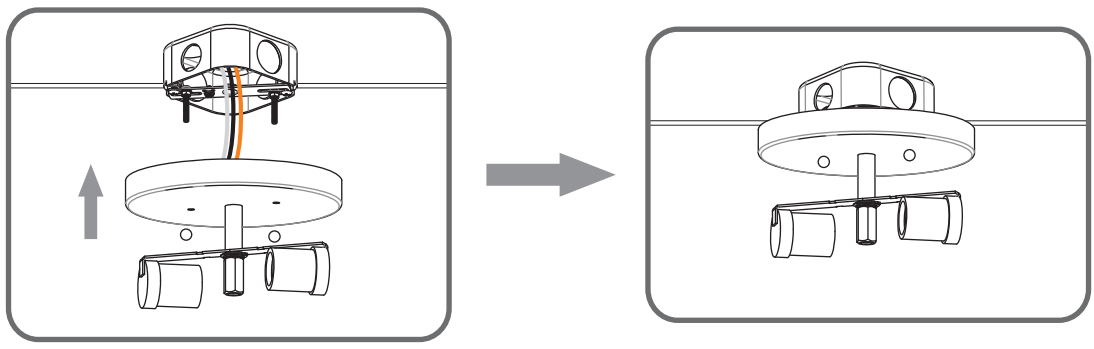
Step 2 - 3
Test fitting ceiling canopy to mounting screws



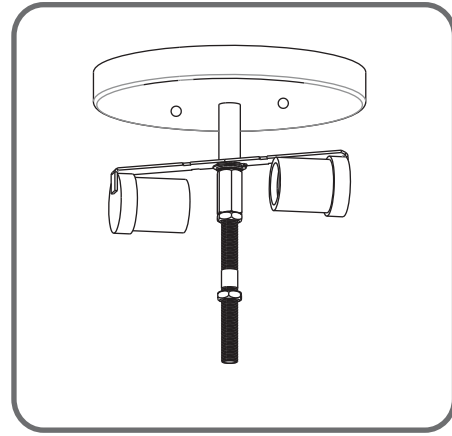
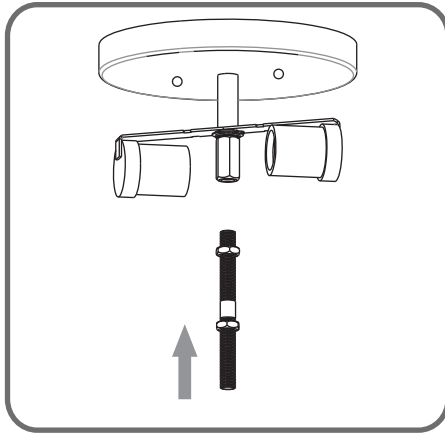
STEP 2



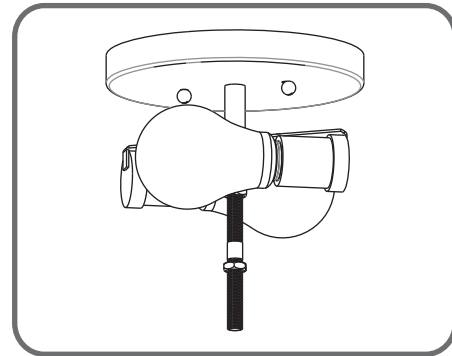
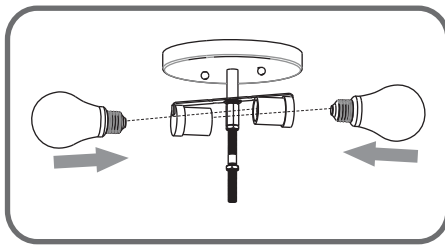
STEP 3



STEP 4



STEP 5



STEP 6

