

# AYLESBURY

## Features

- Solid brass construction
- Temperature-adjust handle for thermostatic valve
- Lever handle assembly for control valve
- Intended for use with Newport Brass rough valve(s) as specified (Required Accessory)
- ADA Compliant

## Codes / Standards Compliance

Meets or exceeds the following at date of manufacture:

- ASME A112.18.1/CSA B125.1-18
- IAMPO/cUPC
- IPC
- ADA & ICC/ANSI A117.1
- All applicable US Federal and State material regulations

## Colors / Finishes

- 10B: Oil Rubbed Bronze
- 15: Polished Nickel
- 15S: Satin Nickel - PVD
- 26: Polished Chrome
- Other: Refer to the Newport Brass catalog for additional color/finish options.

## Thermostatic Shower System Trim

# 3-2414TR

Also 3-373



3-2414TR



3-373

## Specified Model

| Model    | Description  | Colors   Finishes            |                             |                              |                             |                                |
|----------|--|------------------------------|-----------------------------|------------------------------|-----------------------------|--------------------------------|
| 3-2414TR | Thermostatic Shower System Trim                      | <input type="checkbox"/> 10B | <input type="checkbox"/> 15 | <input type="checkbox"/> 15S | <input type="checkbox"/> 26 | <input type="checkbox"/> Other |
| 3-373    | Shower System Control Valve Trim (Escutcheon/Handle) | <input type="checkbox"/> 10B | <input type="checkbox"/> 15 | <input type="checkbox"/> 15S | <input type="checkbox"/> 26 | <input type="checkbox"/> Other |

## Required Accessory

| System Element    | Shower Temp. Control | Flow Control Valve Option A |                         | Flow Control Valve Option B*** |        |
|-------------------|----------------------|-----------------------------|-------------------------|--------------------------------|--------|
| Description       | Thermostatic         | 3-Outlet Diverter w/OFF     |                         | Single Outlet ON/OFF           |        |
| Inlet/Outlet Size | 3/4"                 | 1/2" (no share function)    | 1/2" (w/share function) | 1/2"                           | 3/4"   |
| Part Number       | 1-540                | 1-701*                      | 1-702**                 | 1-606U                         | 1-607U |
| Image             |                      |                             |                         |                                |        |

Flow Control Option A: Select ONE (1-701 or 1-702) per system.

\* 1-701 is a diverter valve with NO share function capability between outlets.

\*\* 1-702 is a diverter valve with share function capability between primary outlet and each of the other two outlets.

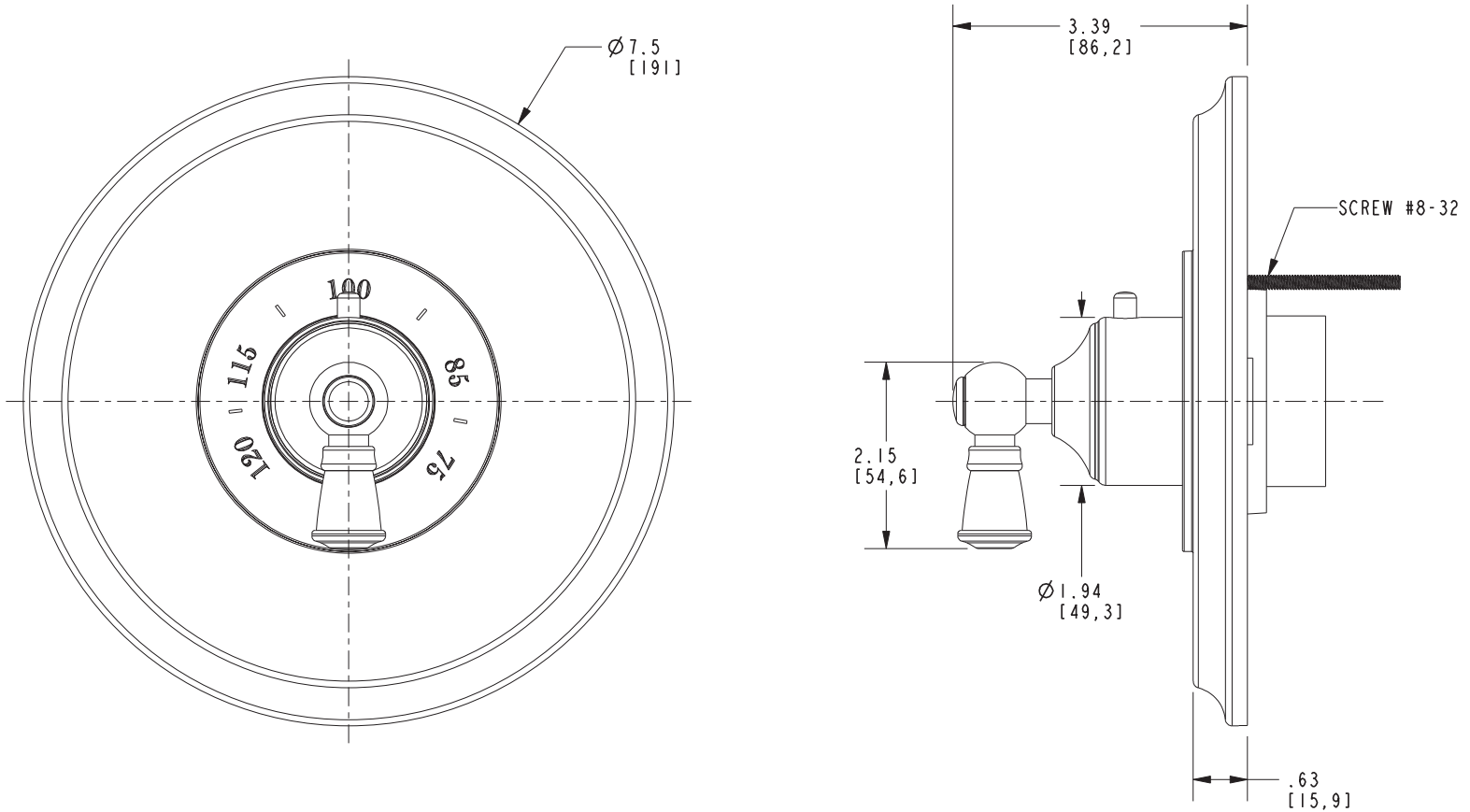
Flow Control Option B: Select ONE (1-606U or 1-607U) per each outlet fixture (ie showerhead, handshower, overhead soaker).

## Product Specification Add "Color / Finish" suffix to Model number, below.

The Thermostatic Shower System Trim shall be made of solid brass construction. Thermostatic Shower System Trim shall include a faceplate and temperature-adjust handle. Shower System Control Valve Trim(s) (Escutcheon/Handle) shall be ADA compliant when used with specified Shower System Control Valve(s). Thermostatic Shower System Trim shall be Newport Brass Model 3-2414TR/\_\_\_\_ and Thermostatic Shower System Valve shall be Newport Brass Model 1-540. Shower System Control Valve Trim (Handle/Escutcheon) shall be 3-373/\_\_\_\_ and Shower System Control Valve(s) shall be 1-70\_\_\_\_ (1 required) or 1-60\_\_\_\_ (one required per outlet fixture).

# 3-2414TR

Product Dimensions are provided for reference only. For specific product installation guidelines, please reference the Installation Instructions of the product being installed.



NOTE: Product Dimensions for the Shower System Control Valve Handle Trim (Handle/Escutcheon can be found within the Spec Sheet for that specific part number.

## Aylesbury Thermostatic Shower System Trim 3-2414TR