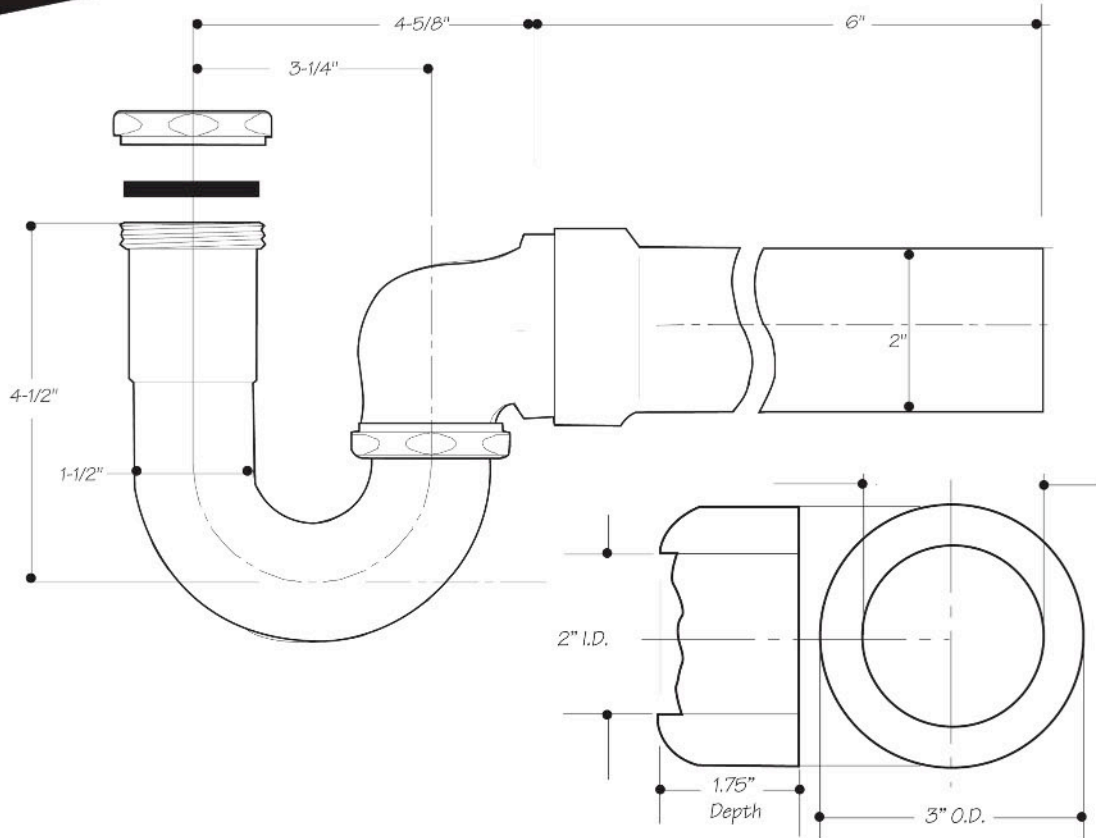


INSTALLATION DIMENSIONS



This model offers you the following features & benefits:

- Full 1-1/2" inlet with reducing washer for 1-1/4"
- 1-1/2" IPS size outlet
- Can be used for exposed installations
- Traditional-Style Trap designed to meet the requirements of the Commonwealth of Massachusetts Plumbing Codes
- Includes Flange and PVC and ABS adaptors

• Available in 13 finishes

- | | |
|---|--|
| <input type="checkbox"/> CPB - Polished Chrome | <input type="checkbox"/> ORB - Oil Rubbed Bronze |
| <input type="checkbox"/> SC - Satin Chrome | <input type="checkbox"/> VB - Venetian Bronze |
| <input type="checkbox"/> PN - Polished Nickel | <input type="checkbox"/> PVDBB - Brushed Bronze |
| <input type="checkbox"/> BRN - Brushed Nickel | <input type="checkbox"/> FG - PVD French Gold |
| <input type="checkbox"/> PRN - PVD Pearl Nickel | <input type="checkbox"/> GPB - Polished Gold |
| <input type="checkbox"/> TB - Tuscan Brass | |
| <input type="checkbox"/> EB - English Bronze | |

Warranty

*ALL MOUNTAIN PRODUCTS CARRY A 1 YEAR WARRANTY ON ALL WORKING PARTS.(except disposers)

*MOST SPECIAL FINISHES HAVE A 1 YEAR WARRANTY IF INSTRUCTIONS ARE FOLLOWED PROPERLY. ORB, EB, MHB, WCP, AND TB HAVE A 90 DAY WARRANTY IF INSTRUCTIONS ARE FOLLOWED PROPERLY.

*ALL PVD FINISHES COME WITH A LIFETIME WARRANTY IF INSTRUCTIONS ARE FOLLOWED PROPERLY

*ALL XENYO COLORED PRODUCTS HAVE A LIFETIME WARRANTY

*USE OF PLUMBERS PUTTY ON PRODUCTS VOIDS WARRANTY