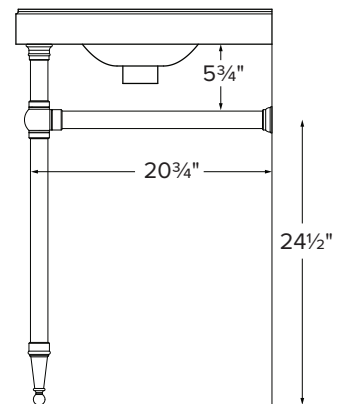
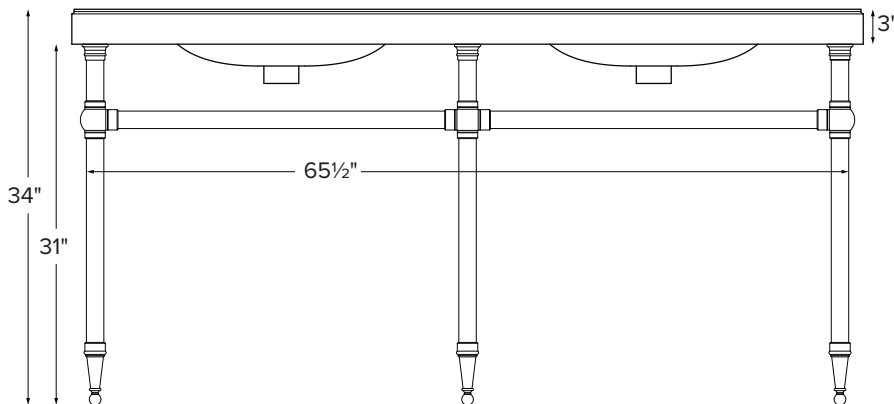
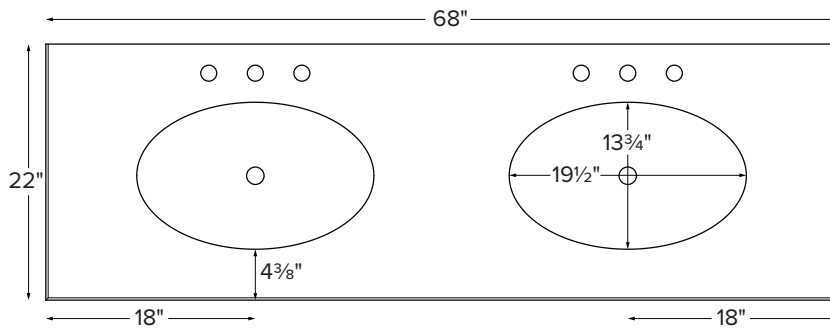


68" Traditional Vanity

Model # CP841-68

68" x 22" x 34"



Due to the nature of this product, it is not offered in custom sizes. Measurements are  $\pm 1/2"$  and are subject to change without notice. Data herein supersedes all previous prior to publication date indicated below.

**CONSTRUCTION AND STANDARD FEATURES**

- 68" Traditional Top includes the Alissa bowl (5" depth).
- Double-bowl design; 1.5" drain opening.
- The top is one-piece construction using SculptureStone® material, which is solid through and through.
- This material is non-porous, stain, mold and mildew-resistant, making cleaning and maintenance easy.
- Same material and color all the way through, with minor variations due to use of natural minerals.
- Palmer legs systems are fabricated from solid brass tubing and components.
- All leg fittings are precision machined, not cast, from solid rod.
- Metal finishes are architectural grade, polished and plated to perfection.
- Five-Year Limited Residential Warranty for MTI tops and Palmer console leg system.

Size and Style	Details	Top Finish	Part #	List Price
68" Traditional without shelves	<u>Top:</u> Double Alissa bowls with Cove Edge Treatment	Matte White	CP841-68MT	<b>\$10,010</b>
	<u>Legs:</u> Palmer Tapered Foot 1.5 Legs standard in chrome finish	Gloss White	CP841-68GL	<b>\$10,865</b>
68" Traditional with shelves	<u>Top:</u> Double Alissa bowls with Cove Edge Treatment	Matte White	CPS841-68MT	<b>\$12,080</b>
	<u>Legs:</u> Palmer Tapered Foot 1.5 Legs standard in chrome finish <u>Shelf:</u> Two shelves made of SculptureStone, each measuring 30" x 16 <sup>3</sup> / <sub>8</sub> "	Gloss White	CPS841-68GL	<b>\$13,245</b>

**Palmer Leg Finish Options**

Finish	Shelf Option	Part #	List Price Adders
Chrome	with shelf	CPS68PC-T	<b>No Charge</b>
	without shelf	CP68PC-T	<b>No Charge</b>
Polished Nickel	with shelf	CPS68PN-T	<b>No Charge</b>
	without shelf	CP68PN-T	<b>No Charge</b>
Polished Brass, Unlaquered	with shelf	CPS68UPB-T	<b>+\$605</b>
	without shelf	CP68UPB-T	<b>+\$470</b>
Satin Nickel	with shelf	CPS68SN-T	<b>+\$1,710</b>
	without shelf	CP68SN-T	<b>+\$1,305</b>
Oil Rubbed Bronze	with shelf	CPS68ORB-T	<b>+\$1,710</b>
	without shelf	CP68ORB-T	<b>+\$1,305</b>
Aged Brass, Unlaquered	with shelf	CPS68UAB-T	<b>+\$1,710</b>
	without shelf	CP68UAB-T	<b>+\$1,305</b>
Matte Black	with shelf	CPS68MB-T	<b>+\$1,710</b>
	without shelf	CP68MB-T	<b>+\$1,305</b>

To see the finish options, visit [www.mtibaths.com](http://www.mtibaths.com)

**Console Top Options**

Faucet Holes	None	CFHN	<b>No Charge</b>
	Up to 3	CFH	<b>No Charge</b>
Overflow	None	CION	<b>No Charge</b>
	Rear	CIOB	<b>No Charge</b>
Backsplash	68" length	CPBL	<b>\$795</b>
Sidesplash	Left Sidesplash	CPL	<b>\$210</b>
	Right Sidesplash	CPR	<b>\$210</b>

**Crate / Handling Fee**

Counter Top and Legs	<b>Contact MTI</b>
Counter Top and Legs with Shelf	<b>Contact MTI</b>



Close-up of Tapered Foot 1.5 detail



Close-up of Traditional corner fitting.