

Model:

390
SERIES

CareGiver® Straight & Angled Grab Bars



READ ALL INSTRUCTIONS CAREFULLY AND INSPECT PRODUCT FOR DAMAGE BEFORE STARTING YOUR INSTALLATION.



Straight



Angled 90°



Angled 120°



Inside Corner

INCLUDED IN CARTON:

- One (1) straight or angled CareGiver® grab bar
- One (1) set of installation instructions

TOOLS AND MATERIALS REQUIRED FOR INSTALLATION:

- Electric drill
- 1/8" wood or metal drill bit
- 1/4" masonry drill bit (Only needed if installing on a tiled wall. See instructions, Step 1)
- Tape measure
- Screwdriver
- Level
- Eight (8) #12 x 2" pan head self-tapping screws

PREPARATION:

Check local code for proper placement of Grab Bar to meet requirement such as ADA or ANSI 117.1 Consumer Safety Requirements.

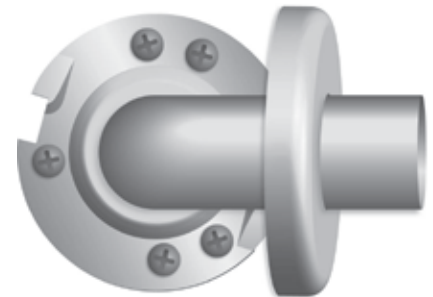
Before installing the Grab Bar you will have to prepare the area.

Rough-in Installation: Determine where the Grab Bar will be mounted and install bracing to the rough-in framing to support the Grab Bar through the shower wall.

Existing Wall Installation: Locate stud behind the existing shower wall to determine where the Grab Bar can be safely mounted.

Clean that portion of the shower wall where the Grab Bar will be installed.

Please read the instructions before proceeding with the installation.



Twist-Lock Concealed Flange



CareGiver® Grab Bars are only as strong as the strength and rigidity of the material to which they are mounted. They must be mounted through shower wall and screwed directly to wood or metal stud.

INSTALLATION

STEP 1:

Position mounting flanges and mark where holes need to be placed. Drill $\frac{1}{8}$ " pilot holes through the shower wall into wood or metal stud.

NOTE: If wall is tiled, drill through tile (only) with a $\frac{1}{4}$ " dia. masonry or ceramic tile drill and then change to the $\frac{1}{8}$ " drill to complete.

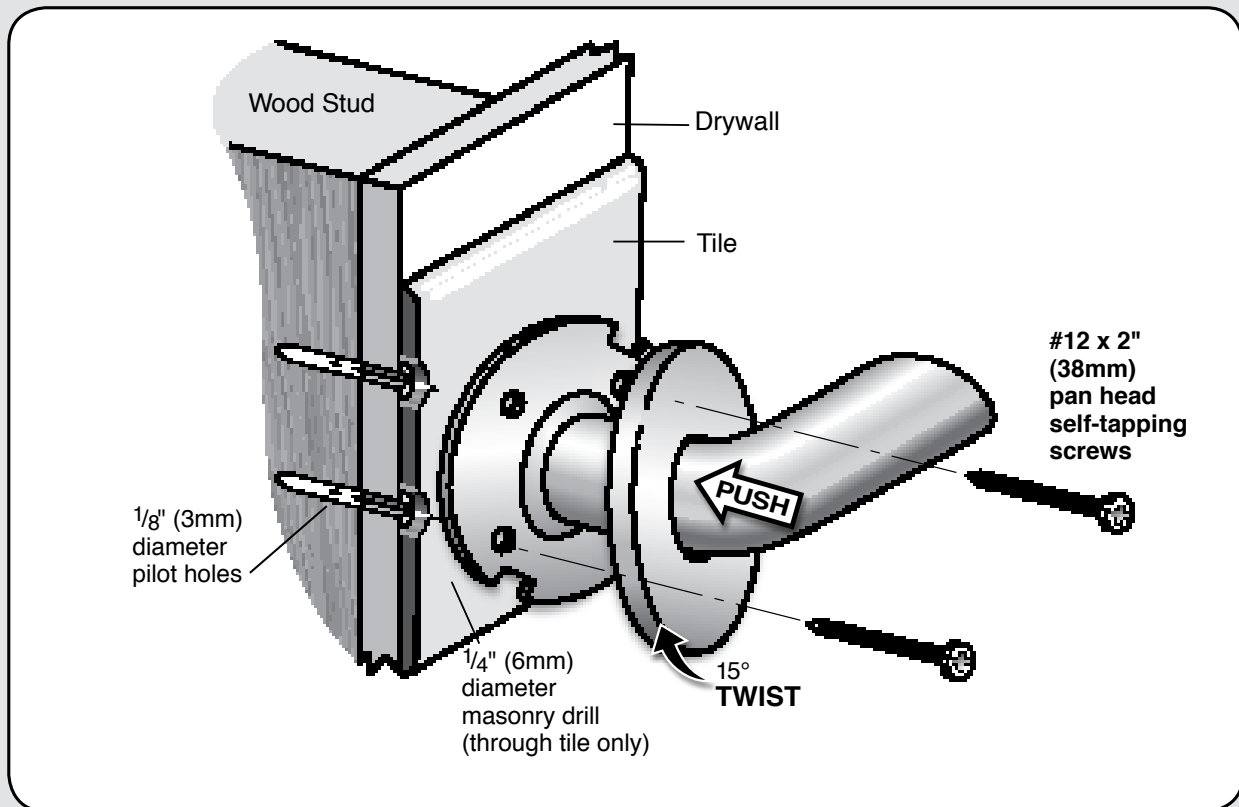
STEP 2:

Install mounting screws (#12 x 2" Pan Head – not supplied) through grab bar mounting bracket and directly into the wood or metal stud or bracing.

STEP 3:

Once the grab bar is securely fastened to wall, align the cover plate locking tabs with the slots in the flange. Turn the "Twist-Lock" cover plate clockwise approx. $\frac{1}{4}$ " turn to lock in place.

Twist-Lock Installation



CARE & CLEANING

To clean, wipe bars with any non-corrosive household cleaner.

INSTALLATION QUESTIONS

Questions on the installation or missing parts, call 216-267-3100 or e-mail customerservice@mustee.com for assistance. Hours of operation are Monday to Friday, 8:30 a.m. to 4:30 p.m. E.S.T.

Please have the installation manual available when calling. DO NOT RETURN PRODUCT TO THE PLACE OF PURCHASE.