



Installation and Operation Manual

AromaSteam Fragrance & Caddy

Instructions for the Use and Installation of
Residential and Day Spa Fragrances and Caddy

mr.steam® | Feel Good Inc.®



MrSteam Aroma Fragrances (MS OIL 1-5)

THE AROMASTEAM SYSTEM FRAGRANCE DISPENSING PUMP

The AromaSteam’s state-of-the-art pump introduces fragrance into the steam pipe and into your steam shower.

MrSteam Aroma is Available in These Five Fragrances:

FRAGRANCE	PART NO.	CONTAINER VOL.
Eucalyptus A deeply refreshing aroma with cleansing effects, eucalyptus may help open air passageways.	(MS OIL 1)	1 liter /33 fl.oz.
Lavender A sweet, lightly floral scent, lavender may help soothe anxiety with its calming and restorative properties.	(MS OIL 2)	1 liter /33 fl.oz.
Evergreen A refreshing blend of spruce, fir and pine reminiscent of a forest on a crisp morning.	(MS OIL 3)	1 liter /33 fl.oz.
Energizing Mint A blend of mint, citrus and herbs that may stimulate and energize.	(MS OIL 4)	1 liter /33 fl.oz.
Breathe A tropical combination that may help clear chest, nose and sinuses.	(MS OIL 5)	1 liter /33 fl.oz.

The Safety Data Sheet provides comprehensive information about MrSteam Aroma fragrances. Contact 1-800-767-8326 or go online at www.mrsteam.com for a copy of the Safety Data Sheet.

IMPORTANT NOTE: As you follow these instructions, you will notice warning and caution symbols. This blocked information is important for the safe and efficient installation and use of the fragrance and caddy. These are types of potential hazards that may occur during installation and operation:

⚠️ WARNING states a hazard may cause serious injury or death if precautions are not followed.

⚠️ CAUTION signals a situation where minor injury or product damage may occur if you do not follow instructions.

IMPORTANT NOTE: This highlights information that is especially relevant to a problem-free installation.

WARNING

FLAMMABLE LIQUID AND VAPOR

- Keep away from heat, sparks, electrical outlets, open flames such as candles and hot surfaces.
- No smoking.
- Keep Out of the Reach of Children.
- Contains denatured ethyl alcohol.
- Use only non-sparking tools. Take precautionary measures against static discharge.
- In case of fire: Use CO₂, dry chemical, alcohol foam, and water spray for extinction.
- Always store the MrSteam Aroma fragrances in a secure location. Keep container tightly closed and store in a cool, dry and well-ventilated place.

WARNING

- Avoid contact with eyes. May cause mild eye irritation. Ingestion may cause irritation, nausea, vomiting.
- Vapors may cause drowsiness, allergic reactions, difficulty breathing or skin irritation. If condition persists get medical attention.
- The Safety Data Sheet provides comprehensive information about MrSteam Aroma fragrances. Contact 1-800-767-8326 or go online at www.mrsteam.com for a copy of the Safety Data Sheet.
- MrSteam fragrances (MS OIL 1- 5) are only for use with the MrSteam AromaSteam dispensing pump (part number MS AROMA and MS AROMAC). Never use MrSteam fragrances in any other pump, spray or dispensing device. The use of MrSteam fragrances in any other device may cause personal injury.
- The use of any fragrances other than MrSteam fragrances with a MrSteam AromaSteam dispensing pump may introduce excessive concentration of fragrances into the steam room, resulting in personal injury.
- Keep out of reach of children.
- The AromaSteam system has been factory set to deliver a suitable amount of fragrance into a typical sized residential or Day Spa steam room. Start with the AromaSteam dispensing pump volume at a very low setting. Gradually increase the volume setting until a comfortable fragrance level is reached. Do not exceed the "Recommended Setting" indicated on the pump volume.
- Do Not alter or modify any MrSteam product. Doing so may result in a personal injury.

FIRST AID

IN CASE OF EYE CONTACT: Rinse the eyes immediately with plenty of water, also under the eyelids, for at least 15 minutes. If eye irritation persists: Get medical attention.

IN CASE OF SKIN CONTACT: Remove/Take off immediately all contaminated clothing. Rinse skin with soap and water or shower. If skin irritation persists, get medical attention.

IF SWALLOWED: Do not induce vomiting. Rinse mouth thoroughly with water. If conscious, give large amounts of water. If symptoms persist, call a physician.

IMPORTANT NOTES:

- MrSteam Aroma fragrances are only for use in residential and day spa installations. Do Not use MrSteam Aroma fragrances in commercial installations.
- Not for use in acrylic or fiberglass rooms. Check with the room manufacturer to determine compatibility of these fragrances with room construction materials.
- Do Not alter or modify any MrSteam product. Doing so will void the warranty.
- MrSteam Aroma fragrances must be disposed of as hazardous waste.

Installing the Caddy:

Box Contents:

- Stainless steel caddy
- Mounting screws (2)
- Instructions

Tools required:

- Cordless drill with a Phillips bit
 - Level
- *Use only non-sparking tools. Take precautionary measures against static discharge

Locating the Caddy:

1. Place in a location that allows visual monitoring of the fragrances level.
2. Place in a location that allows for easy replacement of the fragrance container.
3. The caddy should not be installed in areas accessible to children. A locked room is strongly recommended (ie: utility room).
4. The caddy must be installed below the pump. The maximum distance from the pump to the bottom of the caddy is 6 feet. (Diagram 1)
5. The caddy is designed and intended for indoor use only. Do not install outdoors.
6. Do not install in an unheated location where water could freeze.
7. Locate in a area where the ambient temperature does not exceed 88° F.

Mounting the Caddy on a Wall:

1. Use a level to make sure the caddy is level.
2. Use the two mounting screws provided to secure the caddy using the two holes at the top of the caddy (Diagram 2).
3. Use anchors or other hardware as required for secure mounting. Test the the caddy for secure mounting.
4. Insert the fragrance container with the label facing outward so it is visible through the caddy window (Diagram 4). The label contains important information.
5. Connect the fragrance container to the pump according to instructions in the AromaSteam Fragrance Dispensing Pump Installation, Operation Manual (PUR 100402) (Diagram 5).
6. Always keep the container in the caddy while it is connected to the dispensing pump.

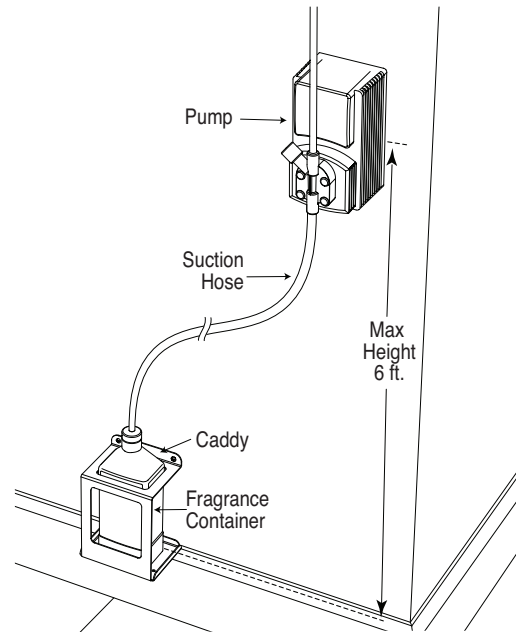


Diagram 1

Drawing details removed for clarity

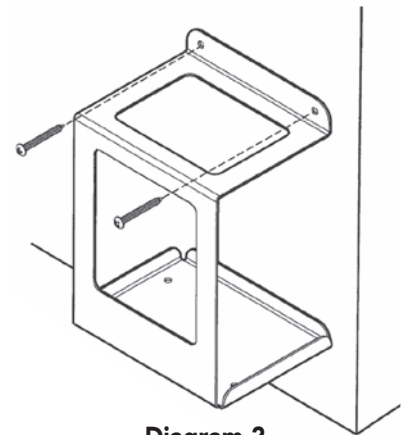


Diagram 2

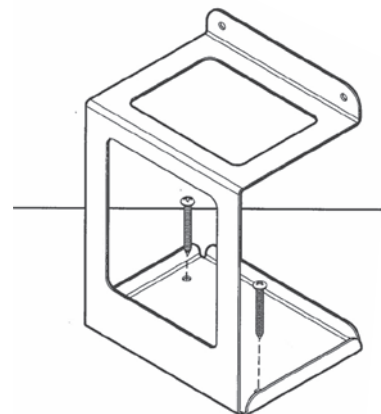



Diagram 3

 WARNING
<p>Using a fragrance container that is not secured in the caddy, or using a caddy that is not mounted may result in spillage, excessively strong vapors or a fire hazard.</p>

Mounting the Caddy on a Floor:

1. Use the two mounting screws provided to secure the caddy using the two holes at the bottom of the caddy (Diagram 3).
2. Use anchors or other hardware as required for secure mounting. Test the the caddy for secure mounting.
3. Insert the fragrance container with the label facing outward in a manner it is visible through the caddy window (Diagram 4). The label contains important information.
4. Connect the fragrance container according to instructions in the AromaSteam Fragrance Dispensing Pump Installation, Operation Manual (PUR 100402).
5. Always keep the container in the caddy while it is connected to the dispensing pump.

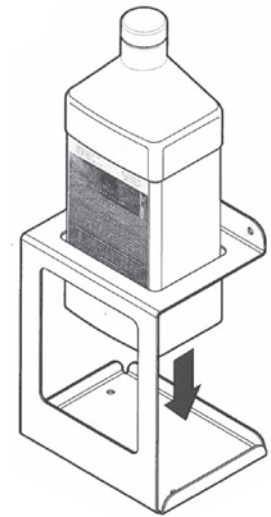



Diagram 4

 WARNING
Using a fragrance container that is not secured in the caddy, or using a caddy that is not mounted may result in spillage, excessively strong vapors or a fire hazard.

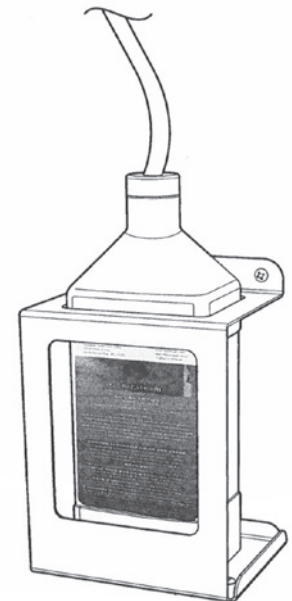


Diagram 5

All diagrams for illustrative purposes only

Products, information and specifications are subject to change without notice.

For more information please call Sales & Support at

1.800.76.STEAM (East Coast) **1.800.72.STEAM** (West Coast) www.mrsteam.com