

# INSTALLATION INSTRUCTIONS

For Model#6460 (Rev. 02/27/2012)

READ AND SAVE THESE INSTRUCTIONS

**WARNING! SHUT POWER OFF AT FUSE OR CIRCUIT BREAKER.**  
**AVERTISSEMENT! COUPER LE COURANT AU NIVEAU DES FUSIBLES OU DU DISJONCTEUR.**

## MOUNTING THE FIXTURE (Fig.1)

1. Shut off the power at the circuit breaker and remove old fixture, including the crossbar.
2. Carefully unpack your new fixture and lay out all the parts on a clear area. Take care not to lose any small parts necessary for installation.
3. Attach the circular strap (A) to the outlet box using two outlet box screws (B) (Size: #8-32N\*L0.5"). The side of the circular strap marked "GND" must face out.
4. Thread the two mounting screws (C) about 1/4" into the pre-drilled holes in the circular strap (A) spaced the same distance apart as the holes in the back plate (F).

## CONNECTING THE WIRES (Fig. 2)

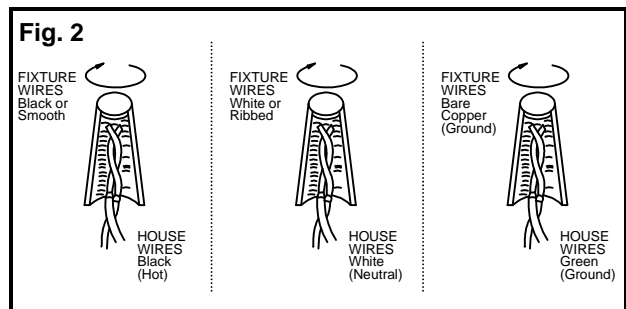
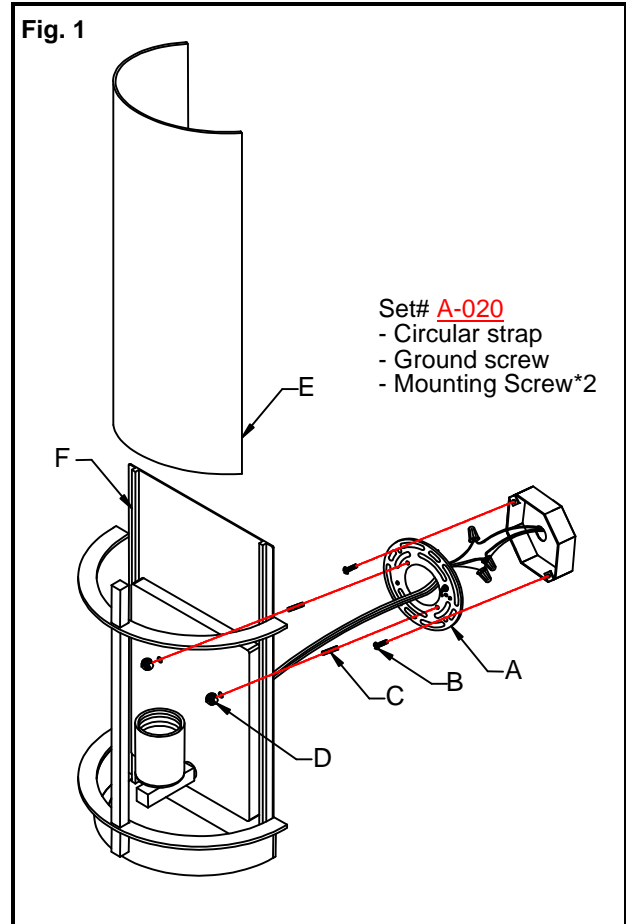
5. At the point, connect the electrical wires as follow; connect the black wire from the fixture to the black house (hot) wire. Connect the white wire from the fixture to the white (neutral) house wire. Make sure all wire nuts are secured. You may wrap the connections with electrical tape. If your outlet has a ground wire (green or bare copper) connects fixture's ground wire to it. Otherwise connect fixture's ground wire directly to the circular strap using the green screw provided. After the wires are connected tuck them carefully inside the outlet box.

## COMPLETING THE INSTALLATION (Fig. 1)

6. Place the back plate (F) over the circular strap (A) and adjust the holes to fit the mounting screws (C), and then secure the back plate (F) against the wall using cap nuts (D).
7. Install light bulbs in accordance with fixtures specification. **(DO NOT EXCEED MAXIMUM WATTAGE RATING!) (NE PAS DEPASSER LA PUISSANCE NOMINALE MAXIMALE!).**
8. Install glass shade (E) by referring to fig 1.

Your installation is now complete. Return power to the junction box and test the fixture.

**Note: Illustration (Fig. 1) on this manual is for installation purposes only. It may or may not be identical to the fixture purchased.**



**MIN 90°C SUPPLY CONDUCTORS**

