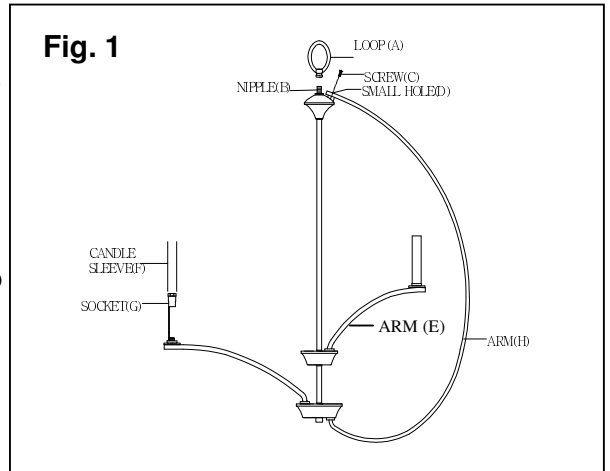


INSTALLATION INSTRUCTIONS FOR FIXTURE #4989-613

WARNING! SHUT POWER OFF AT FUSE OR CIRCUIT BREAKER.
AVERTISSEMENT! COUPER LE COURANT AU NIVEAU DES FUSIBLES OU DU DISJONCTEUR.

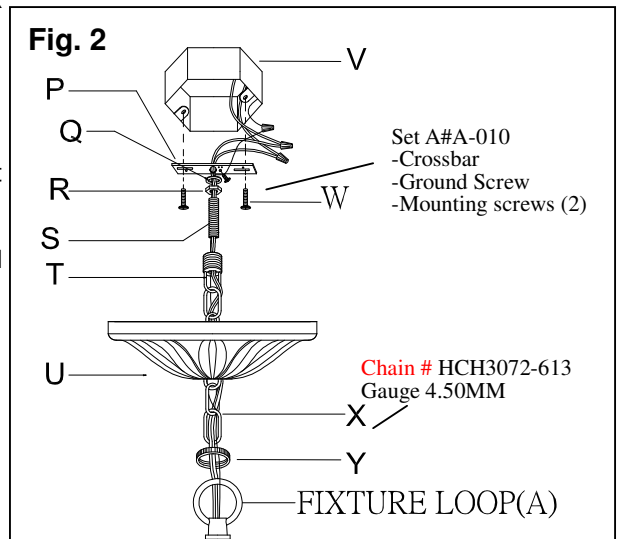
ASSEMBLING THE FIXTURE (FIG. 1)

1. Shut off the power at the fuse box or circuit breaker. If necessary, remove the existing fixture and its mounting hardware from the ceiling.
2. Carefully remove the new fixture from the carton and check that all parts are included as shown in the illustration.
3. Adjust the arms (E) & (H) to its desired position.
4. Attach the top end of the arms (H) onto the top housing by tightening the screw (C) through the small holes (D).
5. Thread the fixture loop (A) onto the nipple (B) tightly.
6. Put the candle sleeve (F) over the socket (G), then install the light bulb in accordance with fixture's specifications. **(DO NOT EXCEED THE MAXIMUM WATTAGE RATING!) (NE PAS DEPASSER LA PUISSANCE NOMINALE MAXIMALE!).**



MOUNTING THE FIXTURE (FIG. 2)

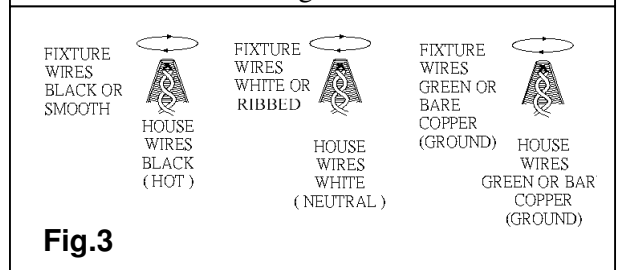
7. Thread one end of nipple (S) into the crossbar (P). Then place lock washer (Q) and hex nut (R) over the end of nipple (S), then thread hex nut (R) until snug.
8. Thread the ceiling loop (T) onto the nipple (S) until snug.
9. Take this crossbar assembly and mount to the ceiling outlet box (V) using outlet box screws (W). The side of crossbar (P) marked "GND" must face out.
10. Use proper chain pliers to open one end link of the chain and connect to the fixture loop (A). Then close the link.
11. By measuring, determine the correct number of links needed for the desired hanging height. Using the chain pliers, disconnect and discard the remaining chain.
12. Slip the lock collar (Y) and canopy (U) over the chain (X). Allowing them to rest onto the fixture loop (A).
13. Open the other end link of the chain (X) and connect to ceiling loop (T). Then close the link.
14. Carefully lace the fixture wires through the chain (X).
15. Feed the fixture wires through the ceiling loop (T) and nipple (S) and pull tight.



****the above drawing is for reference.****

CONNECTING THE WIRES (FIG. 3)

16. At this point, connect the electrical wires as shown in Fig. 3 making sure that all wire connections are secured. If your outlet box has a ground wire (green or bare copper), connect the fixture's ground wire to it. Otherwise, connect the fixture's ground wire directly to the crossbar (P) using the green screw provided.
17. After the wires are connected, tuck them carefully into the ceiling outlet box. Raise the canopy (U) to the ceiling, then raise the lock collar (Y) and thread onto the ceiling loop (T) protruding through the canopy (U).



Your installation is now complete. Return power to the outlet box and test the fixture.



Notice: It is important to use proper chain pliers (not included) to OPEN and CLOSE the chain included with this fixture. Do not open them with other tools that may twist or stress the chain links. It is important to use proper chain pliers like the ones shown in the diagram.