



# **Britt™ All-in-One Commercial Filter Faucet**

**KFF-1691**

## **Congratulations on the purchase of your new Kraus plumbing fixture!**

Please keep the box and packaging materials until your product is completely installed. If you have any questions, require technical assistance or have any problems with your product:



**DO NOT RETURN TO STORE**

**Please contact our Customer Service Team  
1-800-775-0703 / [customerservice@kraususa.com](mailto:customerservice@kraususa.com)**

Have the model number available and retain a copy of your receipt with purchase date for reference.

If for any reason this product does not meet your expectations, please be sure to repack this product in the original box and packaging material to avoid damage during transit.

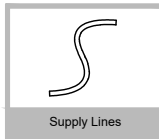
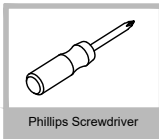
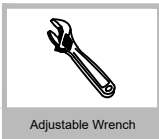
## Prior to Installation:

- Make sure you have all necessary parts by checking the diagram and parts list. If any part is missing or damaged, please contact Kraus Customer Service at 800-775-0703 for a replacement.
- Turn off the hot and cold water supply at the angle stops and turn on the old faucet to release any built up pressure. Remove existing faucet. Clean sink or countertop to remove any debris, plumber's putty, or silicone.
- Flush angle stops to release any debris prior to installation.
- Pre-drilled hole size requirement: 1 3/8" (min) - 1 1/2" (max)
- Max countertop thickness: 2"

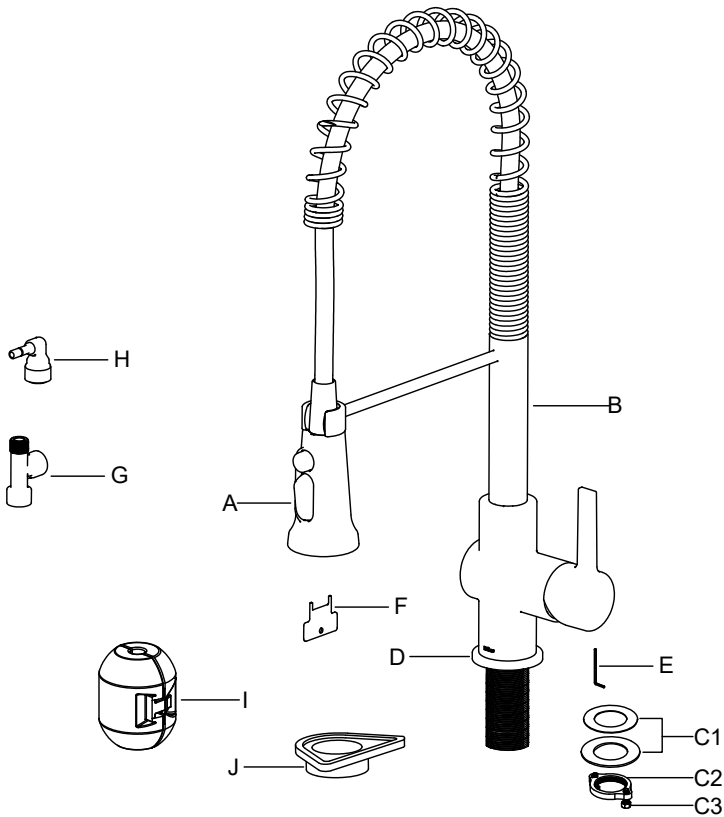
**For technical assistance or replacement parts, please contact Kraus Customer Service and one of our representatives will be happy to help:**

Toll-Free: 800-775-0703 or [customerservice@kraususa.com](mailto:customerservice@kraususa.com)

## Tools you will need:

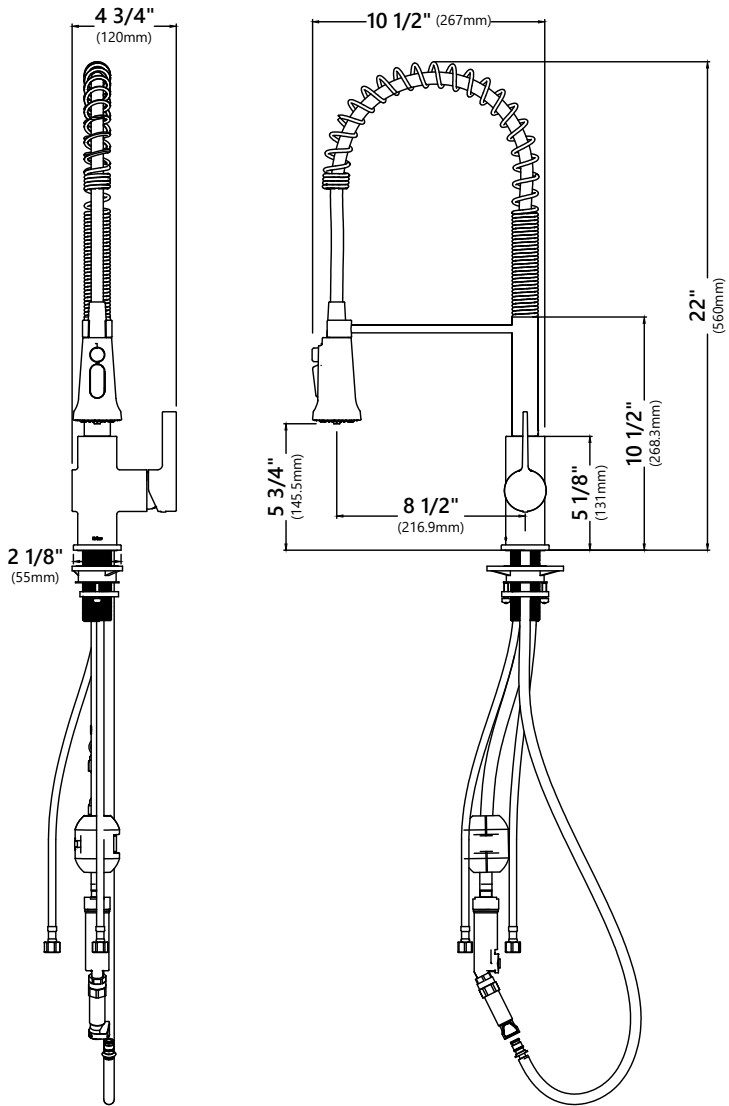


## Diagram and Parts List



- |                           |                             |
|---------------------------|-----------------------------|
| A. Spray Head             | E. 2.5 mm Hex Wrench        |
| B. Faucet Body            | F. Aerator Key              |
| C. Mounting Hardware      | G. 3-Way Connector          |
| C1. Rubber & Metal Washer | H. 1/4 to 3/8 Connector x 2 |
| C2. Mounting Nut          | I. EZ-Weight                |
| C3. Mounting Screw        | J. Plastic Stabilizing Base |
| D. Flange & Washer        |                             |

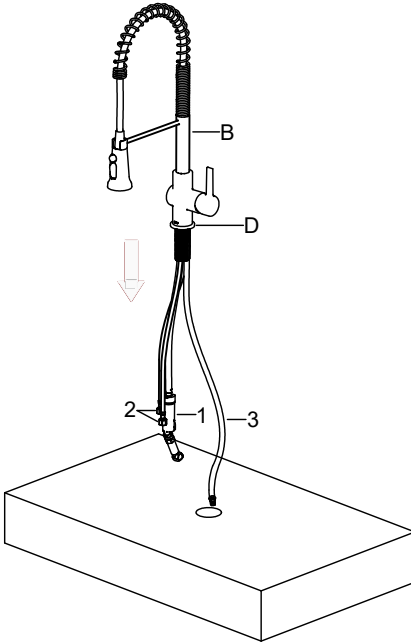
## Faucet Dimensions



### Installer Tip:

Shut off main water supply before installing new faucet.

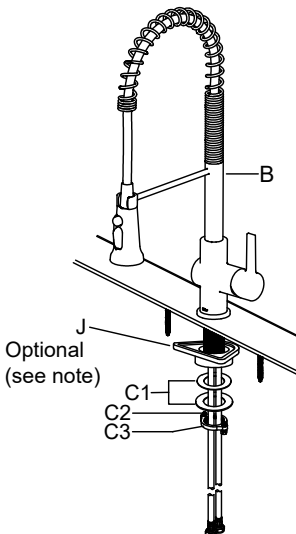
## Step 1. Install the faucet assembly



Before installation, ensure that the flange (D) is placed on the bottom of the new faucet assembly (B). Insert the faucet body and all hoses through the hole in the sink.

1. Install the pull down hose with connector first.
2. Install the hot and cold inlet hoses.
3. Install the supply hose.

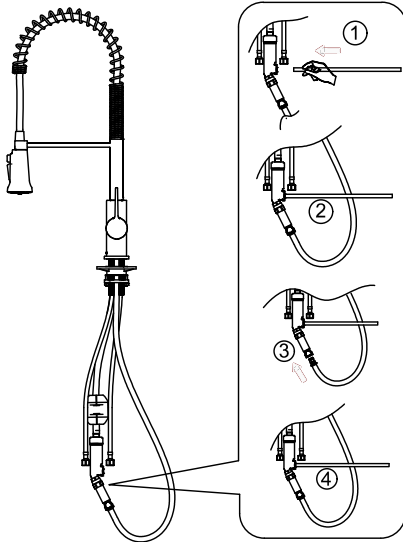
## Step 2. Secure the faucet assembly



Install the plastic washer and metal washer (C1) onto the threaded mounting shank. Thread the nut (C2) onto the mounting shank. Lock the nut (C2) into position by tightening the screws (C3). Do not overtighten.

**NOTE:** If the stainless steel sink is thinner than 5mm you **MUST** use the plastic stabilizing base (J).

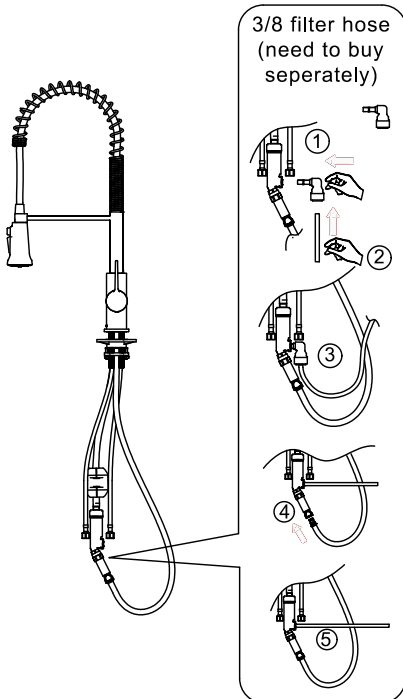
### Step 3. Connecting the filter connection and water line



Connect the 1/4 in. water line from the filtration system by pushing the line into the connector (G). Pull down on the 1/4 in. line slightly to ensure the quick connect fitting has engaged.

**NOTE:** The filter activates by pressing the top button on the sprayer.

**NOTE:** Use the 1/4" to 3/8" connector if you have a 3/8" tube.



3/8 filter hose  
(need to buy  
separately)

Connect the 3/8 in. water line from the filtration system by pushing the line into the connector (G). Pull down on the 3/8 in. line slightly to ensure the quick connect fitting has engaged.

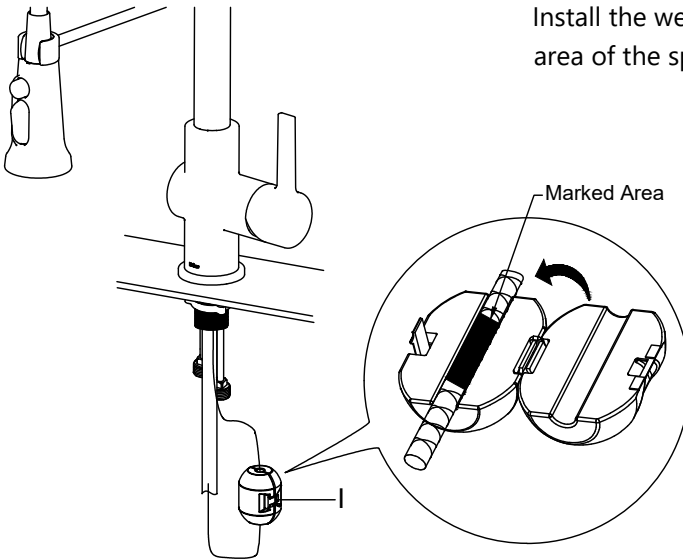
**NOTE:** The filter activates by pressing the top button on the sprayer.

**NOTE:** Use the 1/4" to 3/8" connector if you have a 3/8" tube.

## Step 4. Attach the counterweight

---

Install the weight on the marked area of the spray hose.

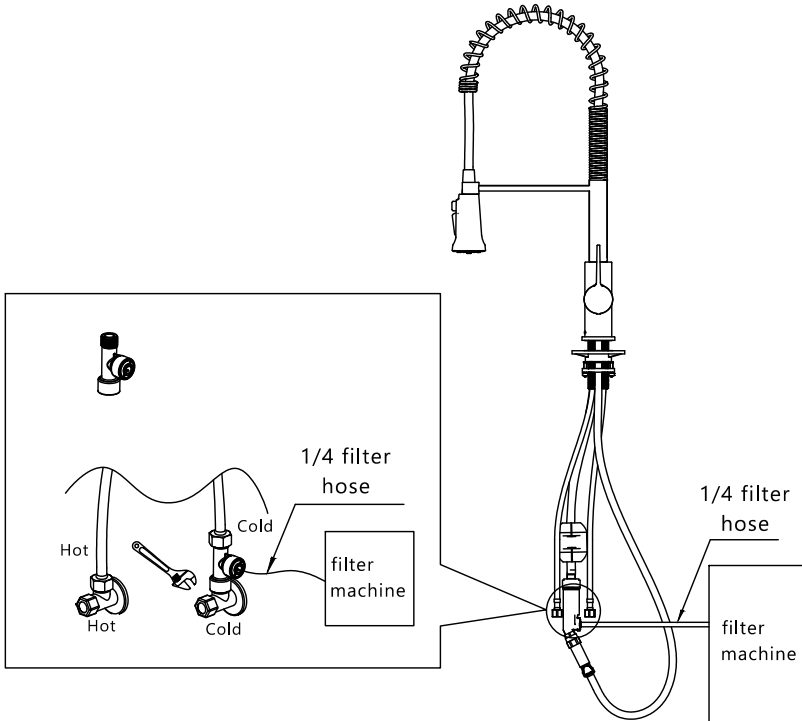




## Step 5. 1/4 Filter Connection (optional-sold separately)

---

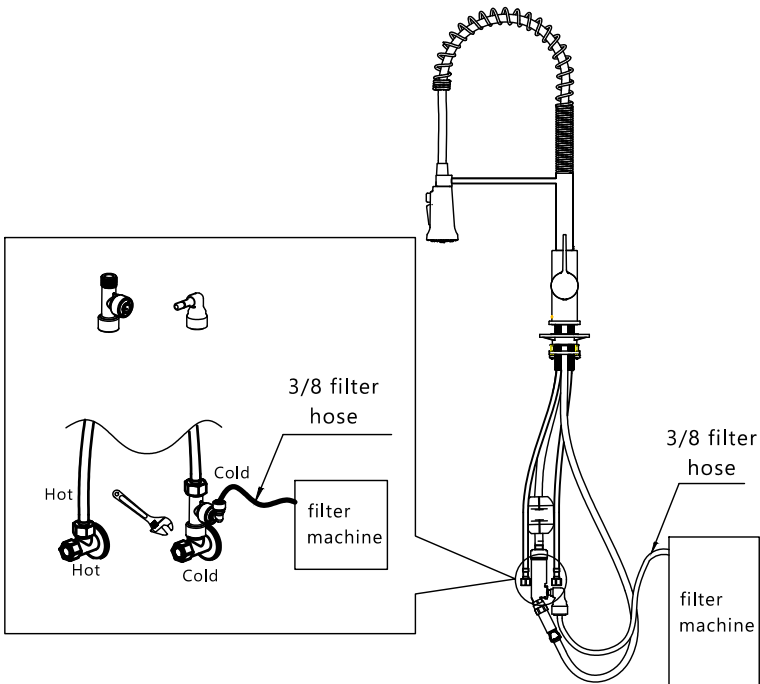
Thread the nut on the supply line onto the outlet of the water supply valve and tighten with a wrench. Do not overtighten. (use 3-Way Connector for Cold valve if needed)



## Step 6. 3/8 Filter Connection (optional-sold separately)

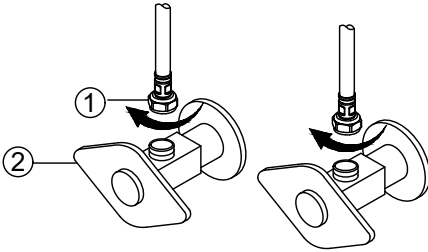
---

Thread the nut on the supply line onto the outlet of the water supply valve and tighten with a wrench. Do not overtighten. (use 3-Way Connector for Cold valve if needed)



## Step 7. Connect the waterlines

---

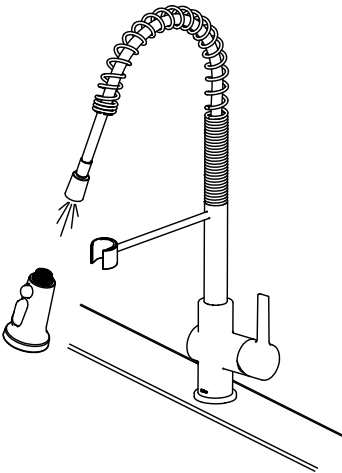


Thread the nut (1) on the supply line onto the outlet of the water supply valve (2) and tighten with wrench. Do not overtighten.

**NOTE:** Please make sure filter washers are installed before connecting to the main valve.

## Step 8. Flush and check for leaks

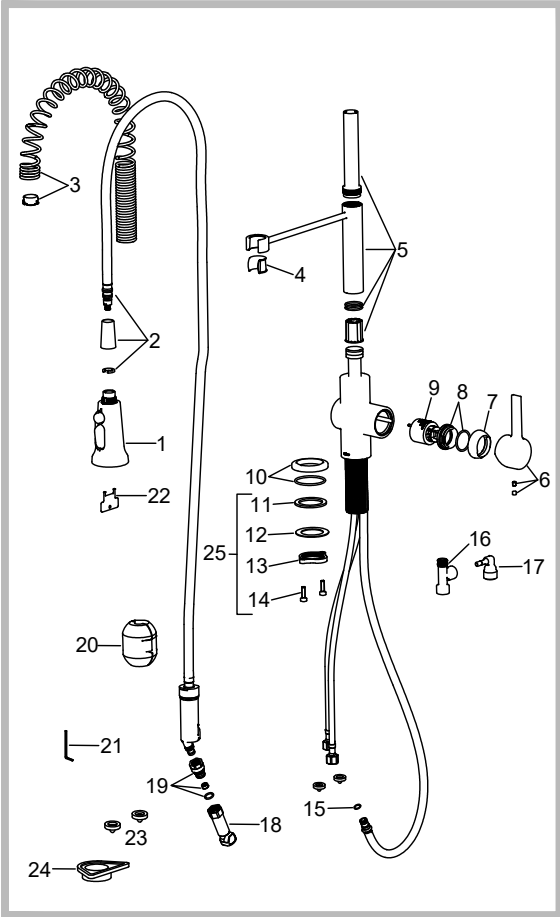
---



Pull hose assembly out of spout and remove spray head by unscrewing from hose in a counterclockwise direction. Hold the end of the hose down into the sink and turn the faucet on to the warm position. Flush water lines for one minute to flush away any debris. Check for leaks.

Re-tighten any connections if needed. Do not overtighten. Reinstall spray head by hand tightening it back onto the spray needed. After installation is completed, turn on the hot and cold water supplies to check for leaks.

# Replacement Parts



Replacement Parts List	Finish/Color	Part #
1. Sprayer Head	CH,SFS,MB,BG*	KP46035
2. Sprayer Hose Assembly	CH,SFS,MB,BG*	KP46036
3. Spring	CH,SFS,MB,BG*	KP46027
4. Sprayer Seat		KP46037
5. Sprayer Support Assembly	CH,SFS,MB,BG*	KP46028
6. Handle Assembly	CH,SFS,MB,BG*	KP46029
7. Cartridge Cover	CH,SFS,MB,BG*	KP46041
8. Locking Nut		KP46042
9. Cartridge		KP46012
10. Base Seat Assembly	CH,SFS,MB,BG*	KP46030
11. Rubber Washer		KP46004
12. Metal Washer		KP46006
13. Mounting Nut		KP46007
14. Mounting Screw		KP46008
15. O-Ring		KP46032
16. 3-Way Connector		KP46031
17. 1/4 to 3/8 Connector		KP46033
18. Quick Connector		KP46043
19. 1.8GPM Flow Restrictor	WH*	KP46011
20. EZ-Weight		KP46040
21. Hex Key		KP46017
22. Aerator Key		KP46034
23. Filter Washer		KP46024
24. Plastic Stabilizing Base		KP46005
25. Mounting Hardware Kit (includes KP46004, KP46006, KP46007, KP46008)		KP46038

\*Denotes faucet component color options:

- CH - Chrome
- SFS - Spot Free Stainless Steel
- MB - Matte Black
- BG - Brushed Gold
- BL - Black
- WH - White

## Troubleshooting

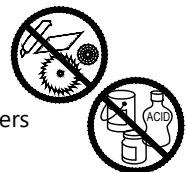
If you have followed the instructions carefully and your faucet still does not work properly, take the following corrective steps:

PROBLEM	CAUSE	ACTION
Leakage under faucet handle	Locking nut has come loose or cartridge needs to be reseated.	Remove button located at top of handle. Loosen set screw with hex wrench. Remove handle and unscrew cartridge cover by hand. Tighten locking nut with an adjustable wrench.
Water does not shut off completely	Cartridge may need to be adjusted or replaced.	Remove button located at top of handle. Loosen set screw with hex wrench. Remove handle and unscrew cartridge cover by hand. Unscrew locking nut with an adjustable wrench. Remove ceramic disc cartridge. Check for cracks, and if O-ring is seated correctly. Reseat cartridge.
Leaking between spray head and the hose	Spray head may be loose or washer is not seated correctly in the hose connection.	Tighten spray head by hand until snug. Make sure washer is seated correctly.
Hose does not retract	Weight may be installed incorrectly.	Readjust weight on hose.
Low flow	Aerator may be clogged	Unscrew aerator with aerator key. Hold tip of spray head and turn on water to flush debris.
	The screen filter in the hose connectors is dirty.	Turn off the water supply at water valve and unscrew the hose connectors from water supply lines. Clean the screen in the water lines with hot water, removing any debris or calcium build up.

## Care & Maintenance

\* To keep the product clean & shining, follow the steps below:

1. Rinse with clean water & dry with a soft cloth
2. Do not clean with soaps, acid, polish, abrasives or harsh cleaners
3. Do not use cloth with a coarse surface
4. Unscrew the aerator and clean when necessary



\* This installation manual is subject to change without further notice.

## Codes/Standards Applicable:



ASME A112.18.1  
1.8GPM 6.8L/min maximum

## FAUCET WARRANTY

Kraus products are manufactured and tested to the highest quality standards by Kraus USA Inc. ("Kraus").

Kraus extends this warranty to the original purchaser for personal household use of the "Faucet" in its original location. The warranty is non-transferable.

Kraus warrants the structure and finish of the product to be free from defects in material and workmanship under normal usage for the lifetime of the product. The warranty commences from the initial date of purchase by the owner or trade professional, from an authorized Kraus dealer, through the lifetime of the original owner or end-user.

Kraus warrants the mechanical components such as but not limited to sprayhead assembly (includes engine, aerators, structure, restrictors, back flow preventers, sprayer hoses, braided supply line hoses which encompasses nylon, silicon and stainless steel, etc) of the product to be free from defects in material and workmanship under normal usage for a period of one (1) year. The warranty commences from the initial date of purchase by the owner or trade professional, from an authorized Kraus dealer, through the one (1) year term of the original owner or end-user.

Kraus warrants the mechanical component (cartridge) of the product to be free from defects in material and workmanship under normal usage for a period of five (5) years. The warranty commences from the initial date of purchase by the owner or trade professional, from an authorized Kraus dealer, through the five (5) year term of the original owner or end-user.

Any product reported to the authorized dealer or to Kraus as being defective within the warranty period will be repaired or replaced with a product of equal value at the option of Kraus. This warranty extends to the original owner or end-user, and is not transferable to a subsequent owner.

## RESTRICTIONS

This warranty does not cover antediluvian, discontinued, or display products, whether such items are purchased at discount outlets, unauthorized dealers, and/or sold on clearance.

This warranty does not cover instances of negligence, misuse, abuse, improper installation, carelessness, accident, hard water or mineral deposits, exposure to corrosive materials, misapplication, damages caused by improper maintenance, alteration of the product, or failure to follow care or installation instructions enclosed with your product. Avoid using abrasive cleaners such as powders, bleach, ammonia, alcohol, or chlorine. Avoid using abrasive pads, steel wool, or wire brushes, as these will damage and wear down the finish.

This warranty does not apply to Products that have not been installed or operated in accordance with instructions supplied by Kraus and all applicable rules, regulations, and legislation pertaining to such installations.

This warranty does not apply unless the Kraus product is installed by a fully insured and licensed trade professional. Kraus insists that such professionals have experience in the installation of bathroom and kitchen manufactured goods.

This warranty does not cover labor charges or costs of removal and reinstallation of said product. This warranty does not allow recovery of incidental or consequential damages, such as loss of use, delay, property damage, or other consequential damages, and Kraus accepts no liability for such damages.

This warranty does not cover Marine or Outdoor Installation.

Except as otherwise provided above, Kraus makes no warranties, expressed or implied, including warranties of merchantability and fitness for a particular purpose, or compliance with any code.

Shipping charges will be covered for the first (1) year of the warranted replacement part or product (HI, AK, and Puerto Rico shipping charges may apply). International shipping fees are not included.

## **COMMERCIAL WARRANTY**

Kraus extends the above warranty for a period of one (1) year to purchasers of products for industrial, commercial, and business use.

All incidental or consequential damages are specifically excluded. No additional warranties, express or implied, are given, including but not limited to any implied warranty of merchantability or fitness for a particular purpose.

Some states do not allow the exclusion or limitation of incidental or consequential damages or limitations on how long an implied warranty lasts, so the above limitations or exclusions may not apply to you.

This warranty gives you specific legal rights, and you may also have other rights which vary from state to state.

KRAUS USA has the right to change, modify, and/or update the warranty policy at any time. For the latest, most up to date comprehensive warranty, go to [www.kraususa.com/warranty](http://www.kraususa.com/warranty)

### **If you are a homeowner please contact a Kraus Customer Service Representative at:**

Kraus USA, Inc.  
12 Harbor Park Drive  
Port Washington, NY 11050  
Toll-free 800-775-0703  
Customerservice@kraususa.com

### **If you are a plumbing contractor or trade professional please contact a Kraus Pro Representative at:**

Kraus USA, Inc.  
12 Harbor Park Drive  
Port Washington, NY 11050  
516-801-8955  
Proservice@kraususa.com

### **If you are an Authorized Partner please contact a Partner Support Representative at:**

Kraus USA, Inc.  
12 Harbor Park Drive  
Port Washington, NY 11050  
516-801-8954  
Partnersupport@kraususa.com

### **In requesting warranty service, please be ready to provide:**

1. Proof of purchase.
2. A description of the problem.

**Download the Kraus Care & Maintenance Guide at:**  
<http://www.kraususa.com/maintenance>

# IMPORTANT

## Register Your Kraus Product

**Activate** Your Warranty

**Access** Premium Customer Support

**Get** Product Information

**REGISTER TODAY**

<http://www.kraususa.com/registration>



**Kräus**<sup>®</sup>  
www.kraususa.com