

KOHLER®

Toccata™ Top-mount double-equal bowl kitchen sink K-RH3346-4

Features

- 36" minimum base cabinet width.
- Double-equal bowls.
- 8" (203 mm) depth.
- Includes installation hardware.

Installation

- Top-mount.

Recommended Products/Accessories

- K-8801 Sink drain and strainer with tailpiece
- K-8799 Sink drain and strainer basket
- K-23726 Drain treatment
- K-23729 Stainless steel cleaner

Optional Products/Accessories

- K-3294 Hardwood cutting board for kitchen sinks
- K-6401 Sink Rack
- 1177161 Installation Clip Kit
- K-11352 Disposal Flange with Stopper

Included Components

Product consists of:

- 1177160 Hardware Kit, Self-Rimming



Codes/Standards

ASME A112.19.3/CSA B45.4

Lifetime Limited Warranty for KOHLER® Stainless Steel Sinks

See website for detailed warranty information.

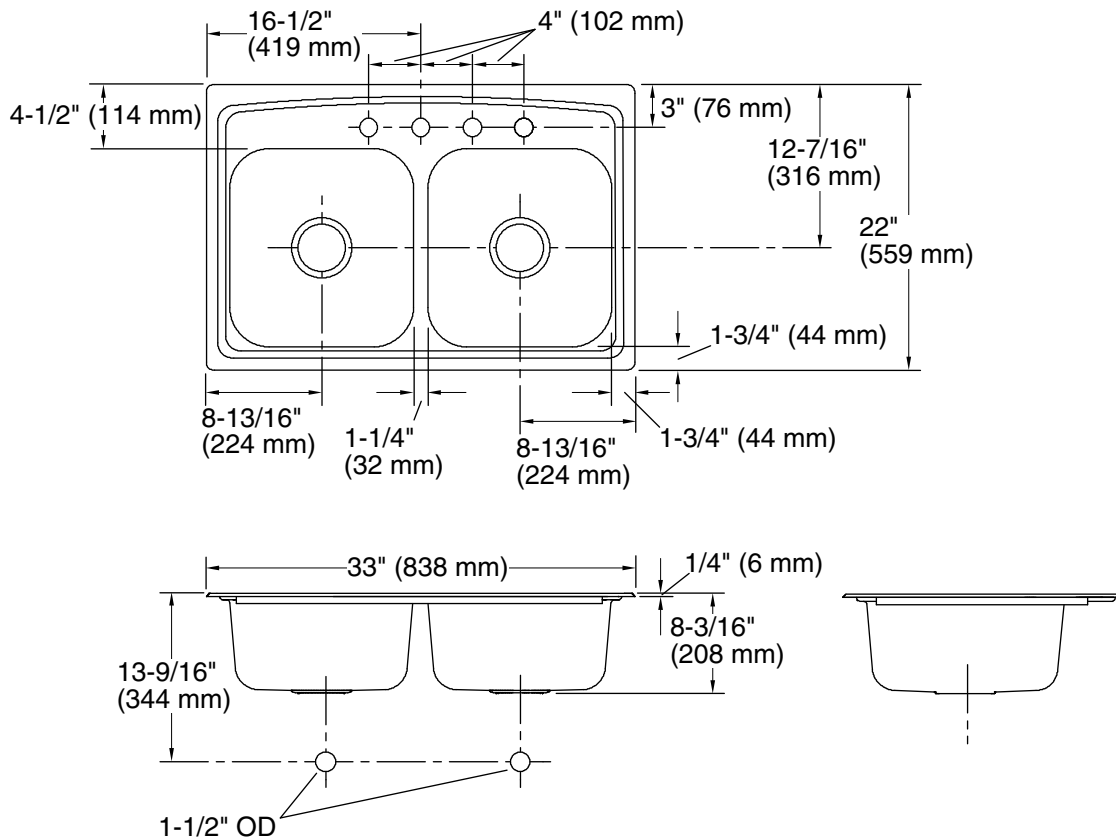
1-800-4KOHLER (1-800-456-4537)

Kohler Co. reserves the right to make revisions without notice to product specifications.

For the most current Specification Sheet, go to www.kohler.com.

5-30-2021 00:50 - US/CA

THE BOLD LOOK
OF **KOHLER®**



Technical Information

All product dimensions are nominal.

- Bowl configuration: Double equal
- Installation: Top-mount
- Cutout: Top-mount, 32-1/2" x 21-1/2" (826 mm x 546 mm) with 1/2" (13 mm) radius corners
- Min. base cabinet width: 36" (914 mm)
- Bowl area (Left): Length: 14-3/16" (360 mm)
 Width: 15-3/4" (400 mm)
 Bowl depth: 8" (203 mm)
 Water depth: 8" (203 mm)
- Bowl area (Right): Length: 14-3/16" (360 mm)
 Width: 15-3/4" (400 mm)
 Bowl depth: 8" (203 mm)
 Water depth: 8" (203 mm)
- Number of deck holes: 4
- Faucet hole spacing: 4" (102 mm)
- Faucet hole(s): 1-7/16" (37 mm)
- Drain hole: 3-5/8" (92 mm)

Notes

Install this product according to the installation instructions.