



# Tea-for-Two®

60" Heated BubbleMassage™ air bath  
K-852-GH96

## Features

- 44 airjets release thousands of heated bubbles that surround, support, and massage the body.
- Variable-speed blower lets you adjust massage intensity to 18 levels.
- Automatic and manual purge cycles remove residual water from air channels after use.
- Lighted keypad control.
- 60-minute automatic shutoff timer.
- Safeguard® slip-resistant surface on bath floor.
- Integral lumbar support.
- Color-matched jet trim.

## Material

- KOHLER® enameled cast iron.

## Technology

- Heated BubbleMassage™ technology warms and humidifies air before it enters the bath.

## Installation

- Drop-in or undermount.
- Reversible drain.
- Requires two 120V dedicated circuits.

## Required Products/Accessories

K-7169-AF 1-1/2" Contoured Pop-up Drain

## Recommended Products/Accessories

K-1172 Adjustable feet  
K-1491 Bath/Whirlpool Pillow  
K-1601 Bath/Whirlpool Footstop  
K-1705 Whirlpool/BubbleMassage™ Remote Control  
K-586 Under-Mount Installation Kit  
K-9498 3" Keypad Trim  
K-1179 Vinyl Tiling-in Bead



## Codes/Standards

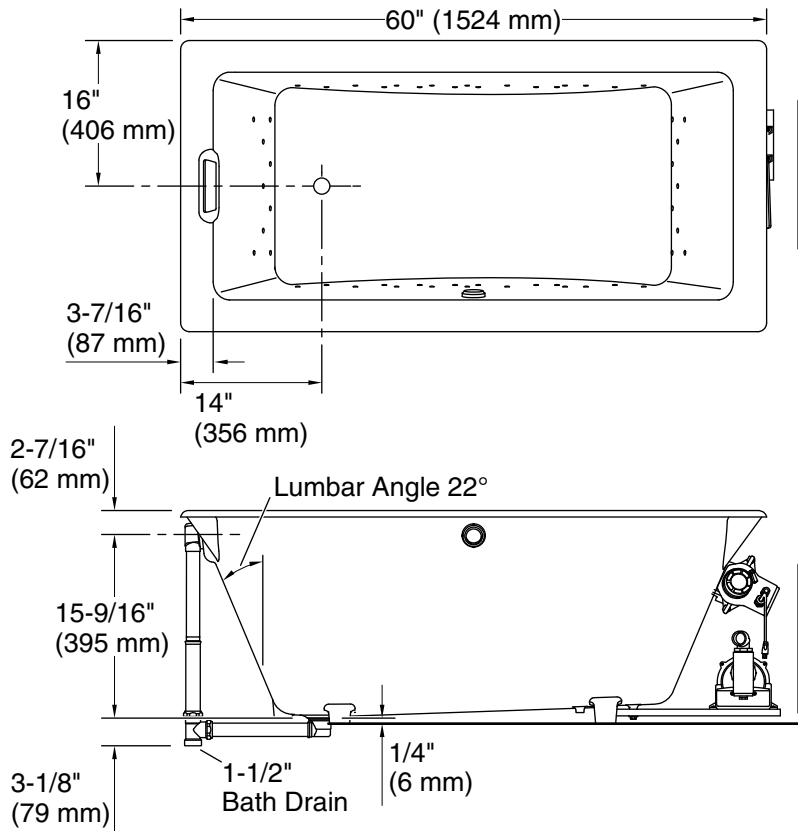
ASME A112.19.7/CSA B45.10  
ASME A112.19.1/CSA B45.2  
ASTM F462  
UL 1795  
CSA C22.2 No. 218.2

## KOHLER® Enameled Cast Iron Bath and Shower Base Lifetime Limited Warranty

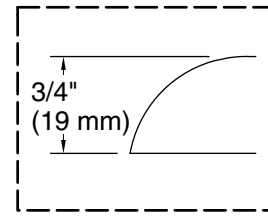
See website for detailed warranty information.



**Tea-for-Two®**  
 60" Heated BubbleMassage™ air bath  
**K-852-GH96**

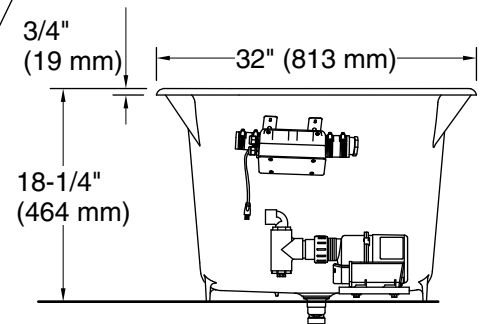


No change in measurements if connected with drain illustrated. (K-7169AF)



**Drop-in Rim Detail**

Blower Motor Access  
 20" (508 mm) W x 15" (381 mm) H Min



**Required Electrical Service**

Two dedicated circuits required, protected with Class A Ground-Fault Circuit-Interrupter (GFCI). Outside North America, this device may be known as a Residual Current Device (RCD).

- Blower: 120 V, 15 A, 60 Hz
- Air bath: 120 V, 15 A, 60 Hz

**Technical Information**

All product dimensions are nominal.

- Installation: Drop-in, Undermount
- Drain location: End
- Basin area, bottom: 40-1/2" x 20" (1029 mm x 508 mm)
- Basin area, top: 52-3/4" x 24" (1340 mm x 610 mm)
- Weight: 350 lbs (158.8 kg)
- Minimum floor load: 60 lbs/ft² (292.9 kg/m²)
- Water depth: 13-5/8" (346 mm)
- Water capacity: 60 gal (227.1 L)
- Cutout: Drop-in, 58-1/2" x 30-1/2" (1486 mm x 775 mm)
- Template: K-586, required, not included
- Electrical component rating: Blower: 120 V, 10 A, 60 Hz  
 Air bath: 120 V, 5 A, 60 Hz

**Notes**

- Measure your actual product for rough-in details. Install this product according to the installation instructions.
- The hot water supply should be 70% of the capacity of the bath or greater. Installations will vary.