

Features

- Single faucet hole.
- Undulating oval basin.
- Overflow drain.

Material

- KOHLER® enameled cast iron.

Installation

- Drop-in

Recommended Products/Accessories

K-7107 Decorative Drain
K-7108 Decorative Drain
K-7129 Drain
K-9018 P-Trap



ADA **CSA B651** **OBC**

Codes/Standards













ASME A112.19.1/CSA B45.2
ADA
ICC/ANSI A117.1
CSA B651
OBC

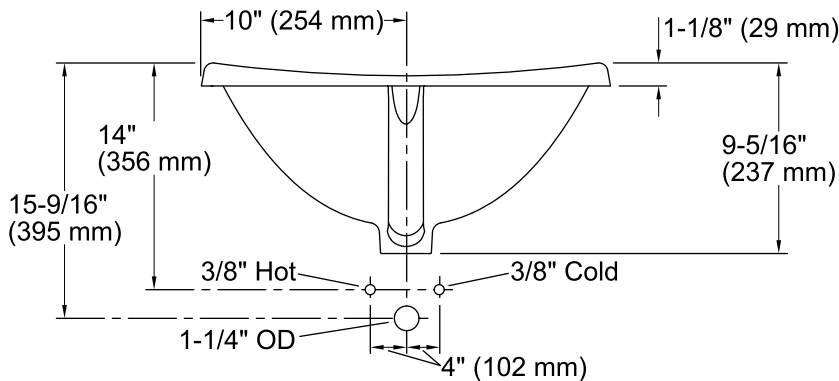
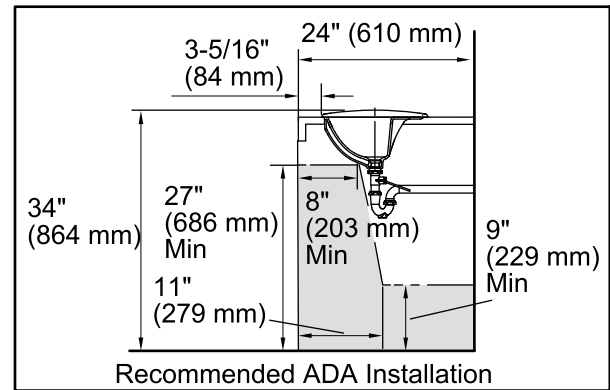
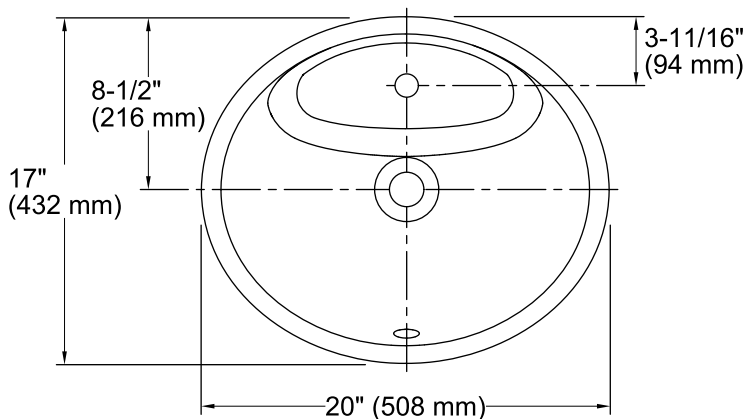
Lifetime Limited Warranty for KOHLER® Cast Iron Components

See website for detailed warranty information.

Available Colors/Finishes

Color tiles intended for reference only.

Color	Code	Description
	0	White
	FF	Sea Salt™
	96	Biscuit
	47	Almond
	FD	Cane Sugar™
	NY	Dune
	95	Ice™ Grey
	G9	Sandbar
	FT	Basalt
	J14	Piccadilly Yellow
	KA	Black 'n Tan
	7	Black Black™



Technical Information

All product dimensions are nominal.

- Bowl configuration: Single
- Installation: Drop-in
- Bowl area (Only): Length: 18-1/16" (459 mm)
Width: 10-3/16" (259 mm)
Water depth: 7-1/2" (191 mm)
- Number of deck holes: 1
- Faucet hole(s): 1-3/8" (35 mm)
- Drain hole: 1-3/4" (44 mm)
- Template: 1147017-7, required, included

Notes

Install this product according to the installation instructions.

Spout must be 5" (127 mm) long (min) for adequate clearance into the bathroom sink when installed with the centerline as shown.

NOTICE: Countertop manufacturer or cutter must use the cut-out template provided with product, or a current one provided by Kohler Co. (call 1-800-4-KOHLER). Kohler Co. is not responsible for the cut-out errors when the incorrect cut-out template is used.

ADA, OBC, CSA B651 compliant when installed to the specific requirements of these regulations.