

Features

- Eight Flexjet® hydromassage jets can be individually adjusted for water flow and direction.
- Built-in heater.
- Comfort Depth® design offers a convenient 19" step-over height while retaining the same depth as a standard 21" bath.
- Generous 72" length provides spacious bathing for up to two people.
- Integral lumbar support.
- Multiple pump location options give you more choices for installation and access. (See specification sheet for pump locations.)
- Coordinates with other products in the Memoirs collection.

Material

- Acrylic.

Technology

- Whirlpool jets recirculate water, providing targeted relief for the bather.

Installation

- Drop-in.
- Center rear drain.

Required Products/Accessories

K-9698 Flexjet® Whirlpool Trim Kit

Recommended Products/Accessories

K-1491 Bath/Whirlpool Pillow
K-1601 Bath/Whirlpool Footstop
K-1703 Whirlpool Remote Control
K-24916 Wireless Music Kit
K-7161-AF 1-1/2" adjustable pop-up drain above- or through-floor

Included Components

Additional Components:
40" (1016 mm) cable



Codes/Standards




ASME A112.19.7/CSA B45.10
CSA B45.5/IAPMO Z124
ASTM E162
ASTM E662
UL 1795
CSA C22.2 No. 218.2

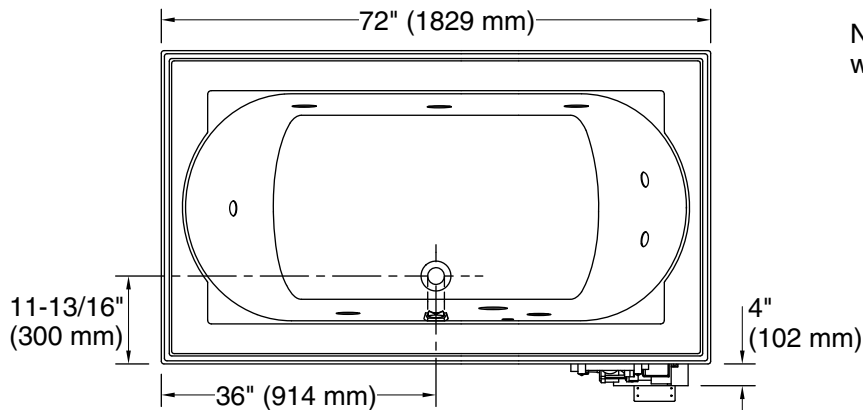
KOHLER® Hydrotherapy Components Five-Year Limited Warranty

See website for detailed warranty information.

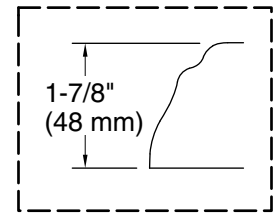
Available Colors/Finishes

Color tiles intended for reference only.

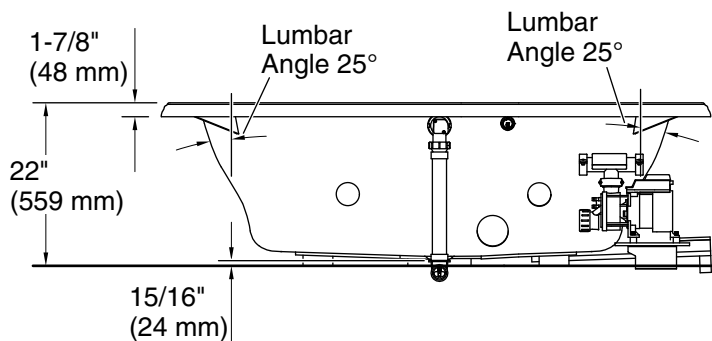
Color	Code	Description
	0	White
	96	Biscuit
	NY	Dune



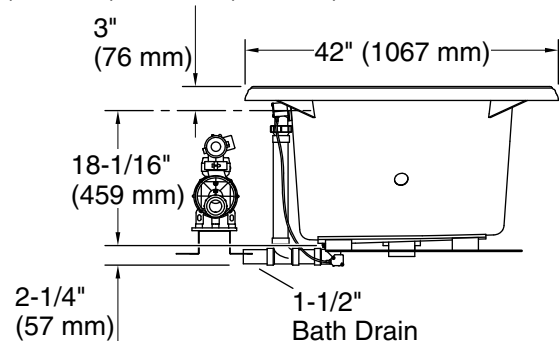
No change in measurements if connected with drain illustrated. (K-7161-AF)



Drop-in Rim Detail



Blower Control Access
34" (864 mm) W x 15" (381 mm) H



Required Electrical Service

Two dedicated circuits required, protected with Class A Ground-Fault Circuit-Interrupter (GFCI). Outside North America, this device may be known as a Residual Current Device (RCD).

Pump: 120 V, 15 A, 60 Hz
Heater: 120 V, 15 A, 60 Hz

Technical Information

All product dimensions are nominal.

Installation: Drop-in
Basin area, bottom: 48" x 27" (1219 mm x 686 mm)
Basin area, top: 60" x 30" (1524 mm x 762 mm)
Weight: 135 lbs (61.2 kg)
Minimum floor load: 45 lbs/ft² (219.7 kg/m²)
Water depth: 16" (406 mm)
Water capacity: 94 gal (355.8 L)
Cutout: Drop-in, 70-1/2" x 40-1/2" (1791 mm x 1029 mm)
Electrical component rating: Pump: 120 V, 7 A, 60 Hz
Heater: 120 V, 12 A, 60 Hz
Pump speed: Variable

Notes

Measure your actual product for rough-in details. Install this product according to the installation instructions.

The hot water supply should be 70% of the capacity of the bath or greater. Installations will vary.