

Features

- Kinesis™ technology with concealed sensor allows for a clean aesthetic and provides extraordinarily accurate and reliable actuation in varying installation environments
- Below-counter valving reduces the faucet footprint and provides easier service
- Design-forward aesthetic for commercial bathroom spaces
- 0.5 gpm (1.9 lpm) maximum flow rate
- Requires K-13480 single or K-13481 multiple AC adapter unit
- On-demand usage with 30-second max. continual run cycle to prevent vandalism and save water
- Vandal-resistant aerated outlet
- 18" (457 mm) stainless steel braided flexible supply hose for easy installation
- 8-9/16" (217 mm) spout reach
- Complies with the Safe Drinking Water Act (SDWA)

Material

- Brass spout
- Cast brass valve

Installation

- Wall-mount

Required Products/Accessories

K-13480-A AC Single Supply

or

K-13481-A Multi-Outlet Power Supply

Recommended Products/Accessories

K-23723 Faucet cleaner

K-23726 Drain treatment

Included Components

Additional Components:

7129-A



ADA

CSA B651

OBC

Codes/Standards

ASME A112.18.1/CSA B125.1

NSF/ANSI/CAN 61

NSF/ANSI/CAN 372

All applicable US Federal and State material regulations

DOE - Energy Policy Act 1992

California Energy Commission (CEC)

ADA

ICC/ANSI A117.1

CSA B651




OBC

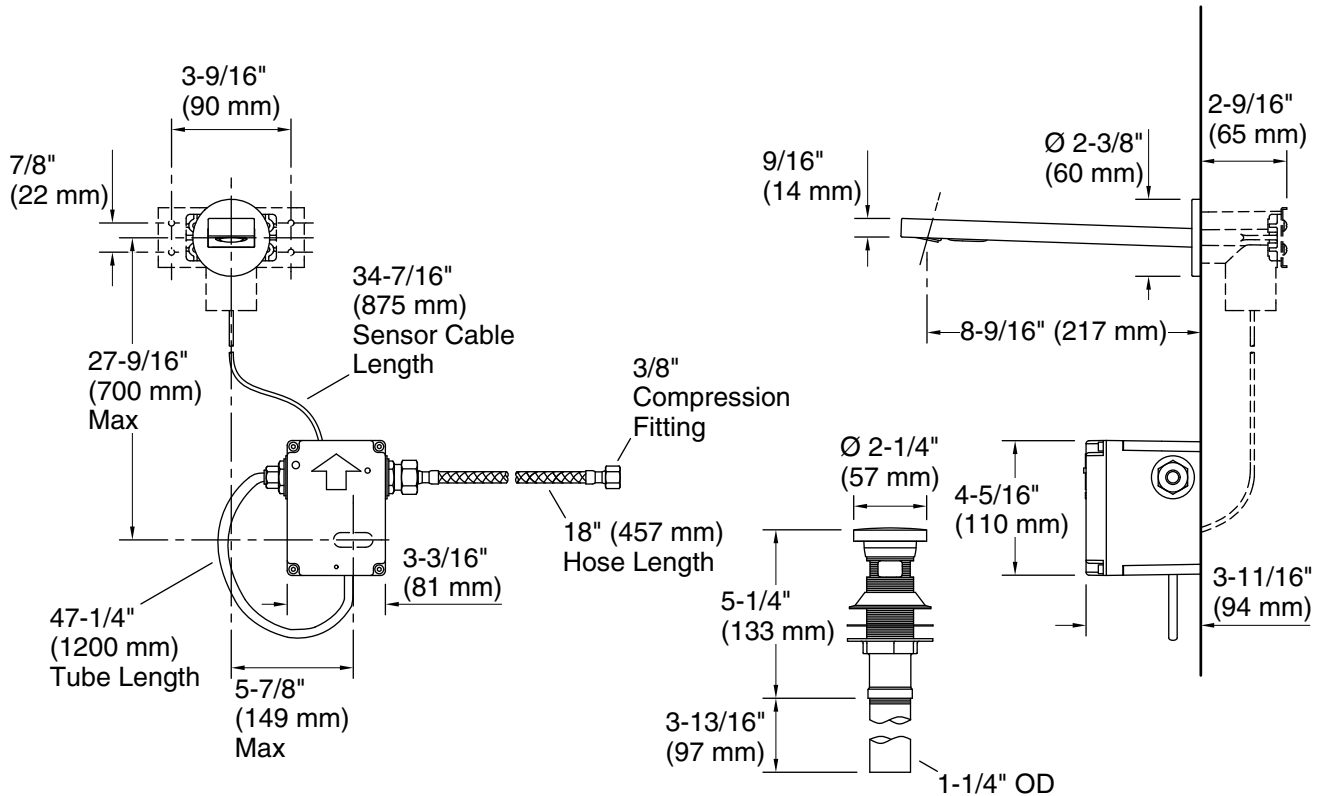
KOHLER® One-Year Limited Warranty

See website for detailed warranty information.

Available Colors/Finishes

Color tiles intended for reference only.

Color	Code	Description
	CP	Polished Chrome
	BN	Vibrant® Brushed Nickel
	BL	Matte Black



Required Electrical Service

One circuit required, protected with Class A Ground-Fault Circuit-Interrupter (GFCI). Outside North America, this device may be known as a Residual Current Device (RCD).

120/240 V, 50/60 Hz

Technical Information

All product dimensions are nominal.

Power source: Hardwire - AC and Plug - AC, not included

Faucet:

Flow rate: 0.5 gal/min (1.9 l/min)

Pressure: 60 psi (4.1 bar)

Valve body: Cast brass

Drain included: Yes

Notes

Install this product according to the installation instructions.

ADA, OBC, CSA B651 compliant when installed to the specific requirements of these regulations.