

Features

- Single-speed whirlpool offers performance and value, with 5 fully adjustable jets.
- Hydromassage flow and direction can be controlled at each jet.
- Built-in heater.
- Textured bottom surface
- Reversible drain.

Material

- Acrylic

Hydrotherapy

- Whirlpool

Installation

- Drop-in

Additional Hydrotherapy Options

- Soaking Bath - 1229-0
- Soaking Bath + Bask heated surface - 1229-W1
- BubbleMassage air bath - 1224-G
- VibrAcoustic - 1224-VB
- VibrAcoustic + Bask heated surface - 1224-VBW
- Whirlpool - 1224-0
- Whirlpool + heater - 1224-H
- Whirlpool + Bask heated surface - 1224-W1

Recommended Products/Accessories

K-1234 Removable Apron
K-7161-AF Bath Drain
K-24916 Wireless Music Kit
K-1601 Bath/Whirlpool Footstop
K-7213 27" Cable Bath Drain
K-7214 27" Cable Bath Drain
K-37380 30" Rough-in Cable Bath Drain
K-37383 30" Rough-in Cable Bath Drain



Codes/Standards

ASME A112.19.7/CSA B45.10
CSA B45.5/IAPMO Z124
ASTM E162
ASTM E662
UL 1795






**KOHLER® Plastic Baths and Receptors
Lifetime Limited Warranty
KOHLER® Hydrotherapy Components
Five-Year Limited Warranty**

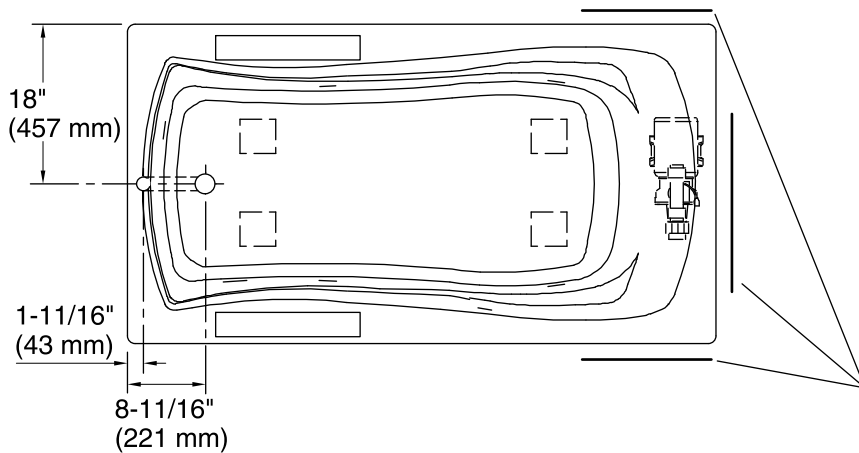
See website for detailed warranty information.

Available Colors/Finishes

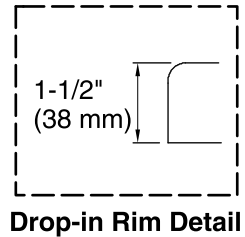
Color tiles intended for reference only.

Color Code Description

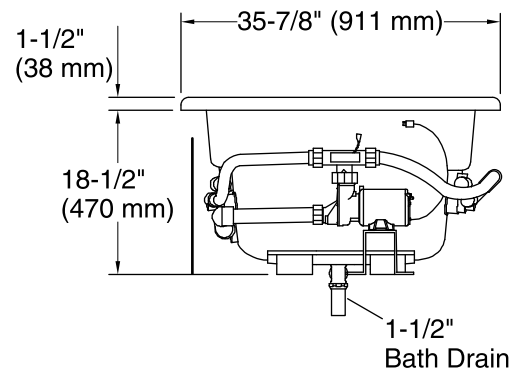
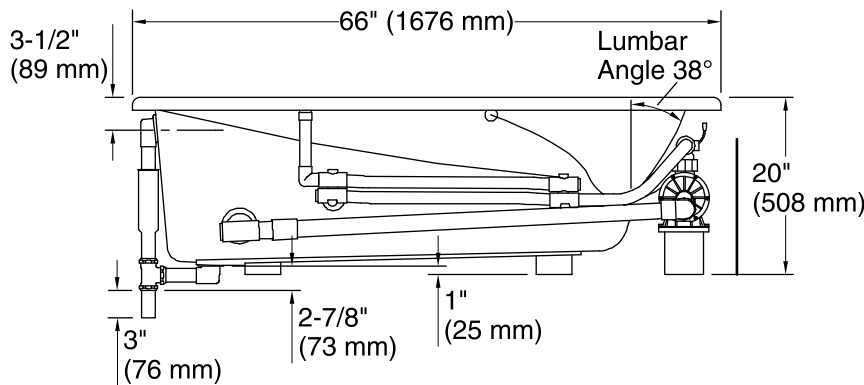
	0	White
	96	Biscuit
	47	Almond
	NY	Dune
	G9	Sandbar



No change in measurements if connected with drain illustrated. (K-7161-AF)
 Recommended Faucet Location



Pump/Control Access
 20" (508 mm) W x 15" (381 mm) H



Required Electrical Service

Two dedicated circuits required, protected with Class A Ground-Fault Circuit-Interrupter (GFCI). Outside North America, this device may be known as a Residual Current Device (RCD).

Pump: 120 V, 15 A, 60 Hz
 Heater: 120 V, 15 A, 60 Hz

Technical Information

All product dimensions are nominal.

Installation: Drop-in
 Drain location: End
 Basin area, bottom: 48" x 24" (1219 mm x 610 mm)
 Basin area, top: 59" x 30" (1499 mm x 762 mm)
 Weight: 115 lbs (52.2 kg)
 Minimum floor load: 43 lbs/ft² (209.9 kg/m²)
 Water depth: 14" (356 mm)
 Water capacity: 67 gal (253.6 L)
 Cutout: Drop-in, 64" x 34" (1626 mm x 864 mm)
 Electrical component rating: Pump: 120 V, 7.5 A, 60 Hz
 Heater: 120 V, 12.5 A, 60 Hz, 1500 W
 Pump speed: Single

Notes

Measure your actual product for rough-in details. Install this product according to the installation instructions.

The hot water supply should be 70% of the capacity of the bath or greater. Installations will vary.

Provide one grounded electrical outlet within 24" (610 mm) of each component.

If installing a rim-mount faucet, make sure there is no interference above or below the deck before drilling any holes.