

FEATURES

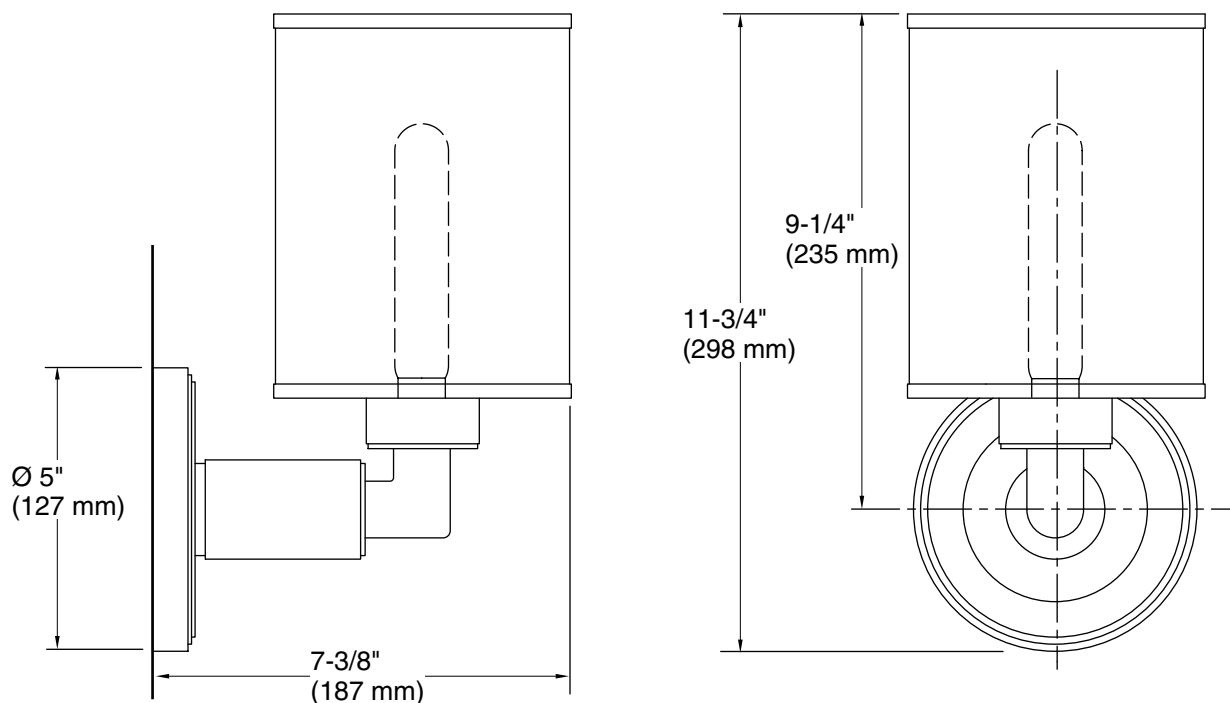
- Solid brass construction for durability and reliability
- Concealed mounting creates a finished look
- Quality white frosted glass shade
- 100-watt maximum
- Complements the Laura Kirar collection

CODES/STANDARDS APPLICABLE

Specified model meets or exceeds the following:

- UL 1598
- CSA C22.2 No. 250.0

P34021



NOTE:
For best performance,
a tubular T-10 incandescent
bulb is recommended.

IMPORTANT SAFETY NOTES

- This fixture has been rated for up to 100-watt incandescent bulbs (not included). To avoid risk of fire or overheating:
Do not exceed the recommended wattage.
- Not intended for outdoor use.

SPECIFIED MODEL

Model	Description	Finishes		
P34021-00	Laura Kirar Wall Sconce	<input type="checkbox"/> CP Polished Chrome	<input type="checkbox"/> AD Nickel Silver	<input type="checkbox"/> LB Bronze
		<input type="checkbox"/> AG Brushed Nickel	<input type="checkbox"/> BZ Antique Bronze	<input type="checkbox"/> ULB Unlacquered Brass

We reserve the right to make revisions without notice in the design of products or in packaging unless this right has specifically been waived at the time the order is accepted.