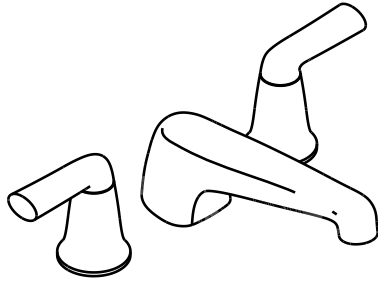
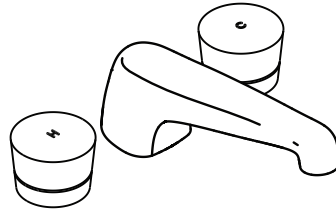


INSTALLATION INSTRUCTIONS



P23203-LV



P23203-RK

INSTALLATION INSTRUCTIONS

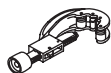
THANK YOU FOR CHOOSING KALLISTA

We appreciate your commitment to KALLISTA quality products. Please take a moment to review this manual before you install your KALLISTA product. If you encounter any installation or performance problems, please do not hesitate to contact us at the phone number listed at the bottom of the page.

TOOLS



Adjustable
Wrench



Tube Cutter



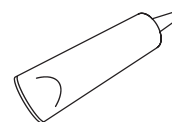
Hex
Wrench



Phillips
Screwdriver



Plumbers
Putty



Silicone Sealant

IMPORTANT INFORMATION

- Please read all instructions before you begin.
- Shut off the main water supply.
- Observe all local building codes.
- Complete the finished deck material before installing.
- Before installation, unpack the new faucet trim and inspect it for damage. Return it to the carton until installation.
- KALLISTA reserves the right to make revisions in the design of products without notice, as specified in the Price Book.

1. REMOVE THE PIPE PLUG

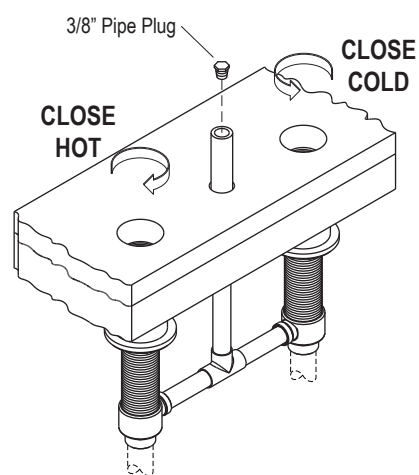


WARNING: Risk of personal injury. Lines may be pressurized. Do not lean over the pipe plug when turning or removing the plug.

- Make sure the valves are closed (cold = fully counterclockwise; hot = fully clockwise).
- Turn off the main water supply
- Wrap a rag around the pipe plug to prevent water spray.

IMPORTANT! Water may purge from the supply tube when you remove the plug.

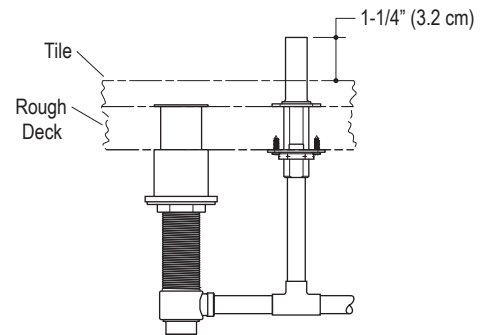
- Carefully remove the pipe plug.



INSTALLATION INSTRUCTIONS

2. PREPARE FOR SPOUT INSTALLATION

- Remove the plaster guard from the spout supply tube.
- Cut off the spout supply tube 1-1/4" (3.2 cm) above the rim, finished deck, or tile.
- Remove all burrs from the supply tube to prevent damage to the O-ring seal.



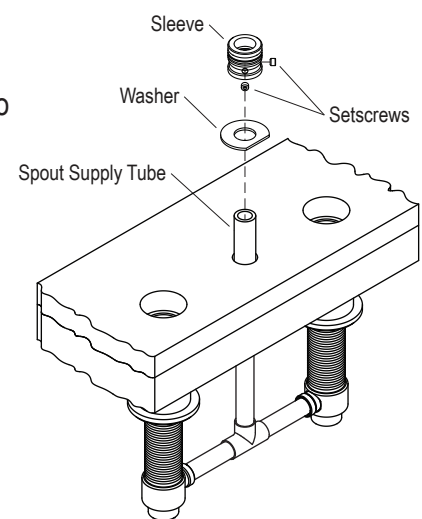
3. INSTALL THE SLEEVE

CAUTION: Risk of product damage. Use care when installing the spout assembly to prevent damage to the O-ring seal.

IMPORTANT! Keep the spout supply tube clean above the finished deck to avoid damage to the O-ring seal.

NOTE: The washer is not needed for rim/finished deck installation.

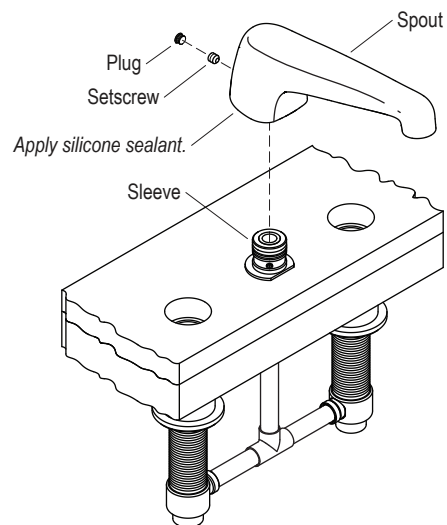
- If the installation includes a tile covered rough deck, slide the washer, flat side facing forward, onto the supply tube.
- Loosen the setscrews in the sleeve.
- Use a twisting motion to install the sleeve on the spout supply tube until it contacts the deck or washer.
- Align the sleeve with the setscrews offset from the center (not facing directly forward or backward) of the supply tube.



INSTALLATION INSTRUCTIONS

4. INSTALL THE SPOUT

- Remove the setscrew from the back of the spout assembly.
- Apply a bead of silicone sealant to the underside of the base of the spout according to the manufacturer's instructions.
- Position the spout on the sleeve, and carefully press down until the spout contacts the finished deck.
- Align the spout as desired and tighten the setscrew.
- Install the plug into the setscrew.
- Wipe away any excess silicone sealant with a damp cloth.



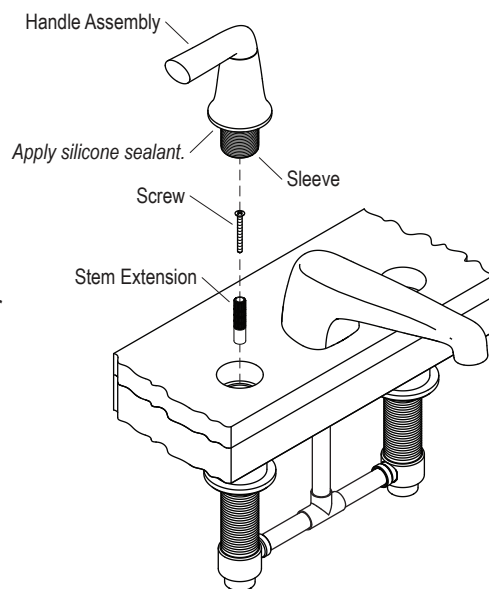
5. INSTALL THE HANDLES

NOTE: The hardware pack contains two different length stem extensions and screws. Choose the stem extension and screw combination that works for your installation.

- Make sure the valves are closed (cold = fully counterclockwise; hot = fully clockwise).
- Install a stem extension on one of the valve stems.
- Remove the sleeve from a handle assembly.
- With the handle oriented correctly, place a handle assembly over the stem extension and verify correct handle alignment.

NOTE: The handle alignment can be adjusted by removing the handle assembly and stem extension. Rotate the stem extension one tooth and replace. Replace the handle assembly and check the alignment. Repeat this procedure until the handle alignment is satisfactory.

- Remove the handle assembly and secure the stem extension to the valve with the screw.
- Re-install the sleeve into the handle assembly.
- Apply a bead of silicone sealant to the underside of the base of the handle assembly according to the manufacturer's instructions.
- With the handle oriented correctly, hold the handle with one hand and thread the handle assembly into the valve assembly with the other hand.



INSTALLATION INSTRUCTIONS

INSTALL THE HANDLES (CONT'D)

- Repeat the procedure with the other handle assembly.
- Wipe away any excess silicone sealant with a damp cloth.

6. COMPLETE INSTALLATION

- Ensure that both faucet handles are turned off (cold = fully counterclockwise; hot = fully clockwise).
- Turn on the main water supply, and check for leaks. Repair as required.
- Using the aerator tool (provided), remove the aerator.
- Turn on both hot and cold valves, and run water through the spout for about a minute to remove any debris.
- Turn off both hot and cold valves. Re-install the aerator. Retain the aerator tool for future use.

