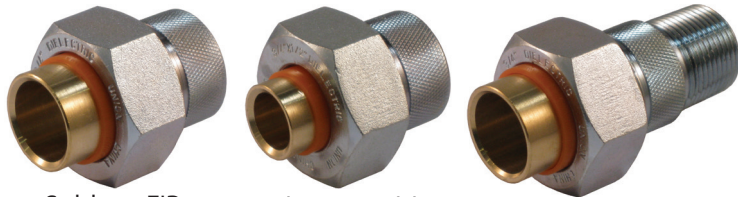


# Lead Free Dielectric Unions

## Brass Solder x Galvanized • 250 PSI



Solder x FIP

Reducing Solder  
x FIP

Solder x MIP

### Brass Solder x Galvanized

#### Features

- Prevents accelerated corrosion
- -20°F to 180°F - Buna Seats
- Wetted surfaces contain less than .25% lead content

#### Approvals

- Lead Free Compliant
- Meets ANSI B16.39
- ANSI B1.20.1
- ASME/ANSI B16.18

#### Pressure Ratings

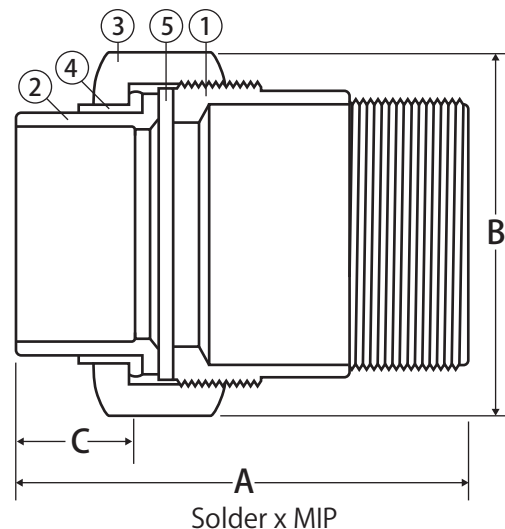
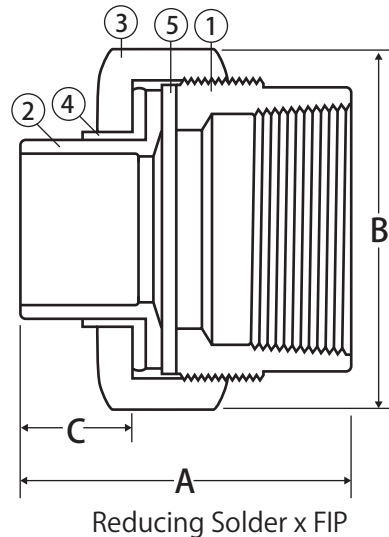
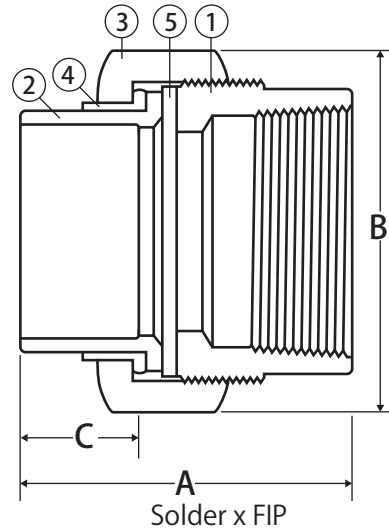
- 250 PSI

#### Material Specifications

No.	Part	Materials
1	Body	Steel - Zinc Plated
2	Tail Piece	Lead Free Brass
3	Union Nut	Steel - Zinc Plated
4	Dielectric Ring	Nylon 66
5	Gasket*	Buna-N

#### Dimensions

Part No.	Size	A	B	C
<b>Solder x FIP</b>				
701-103G	1/2" SWT x 1/2" FIP	1.87	1.61	0.65
701-104G	3/4" SWT x 3/4" FIP	2.11	1.83	0.79
701-105G	1" SWT x 1" FIP	2.34	2.15	0.86
701-106G	1-1/4" SWT x 1-1/4" FIP	2.50	2.59	0.94
701-107G	1-1/2" SWT x 1-1/2" FIP	2.79	2.95	1.11
701-108G	2" SWT x 2" FIP	3.09	3.75	1.32
<b>Reducing Solder x FIP</b>				
701-204G	1/2" SWT x 3/4" FIP	1.95	1.83	0.65
<b>Solder x MIP</b>				
701-303G	1/2" SWT x 1/2" MIP	2.85	1.61	0.65
701-304G	3/4" SWT x 3/4" MIP	3.01	1.83	0.79
701-305G	3/4" SWT x 1/2" MIP	2.62	1.83	0.65
701-306G	1" SWT x 1" MIP	3.18	2.15	0.86



**WARNING:** This product can expose you to chemicals including lead, which is known to the State of California to cause cancer, and lead, which is known to the State of California to cause birth defects or other reproductive harm. For more information go to [www.P65Warnings.ca.gov](http://www.P65Warnings.ca.gov).