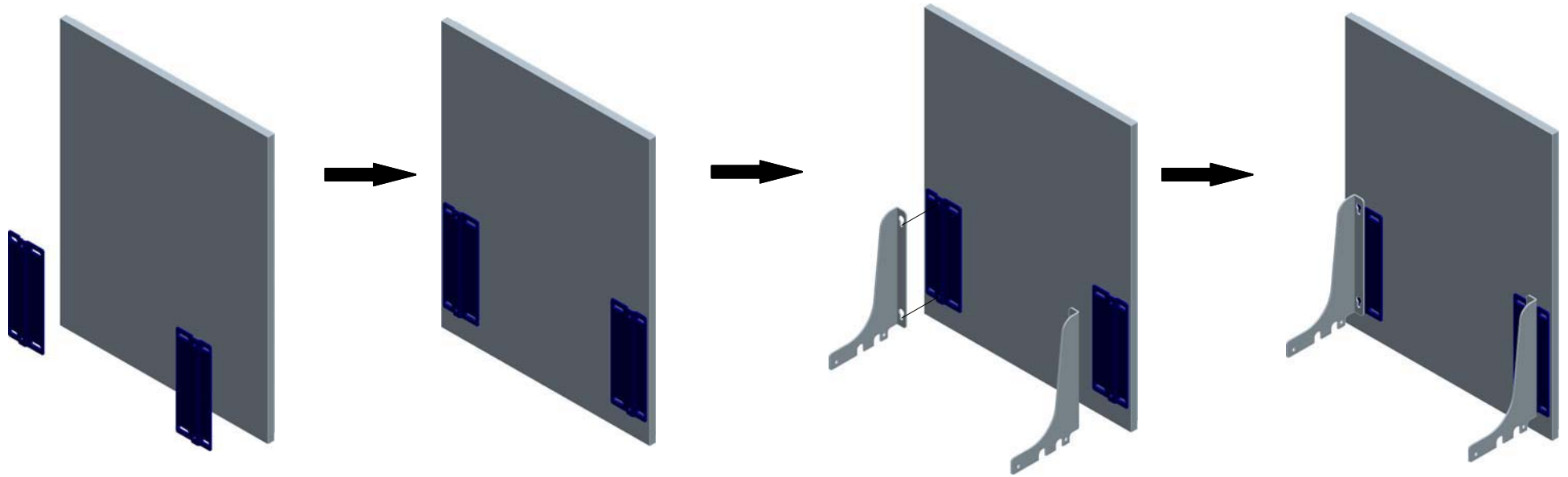
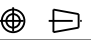
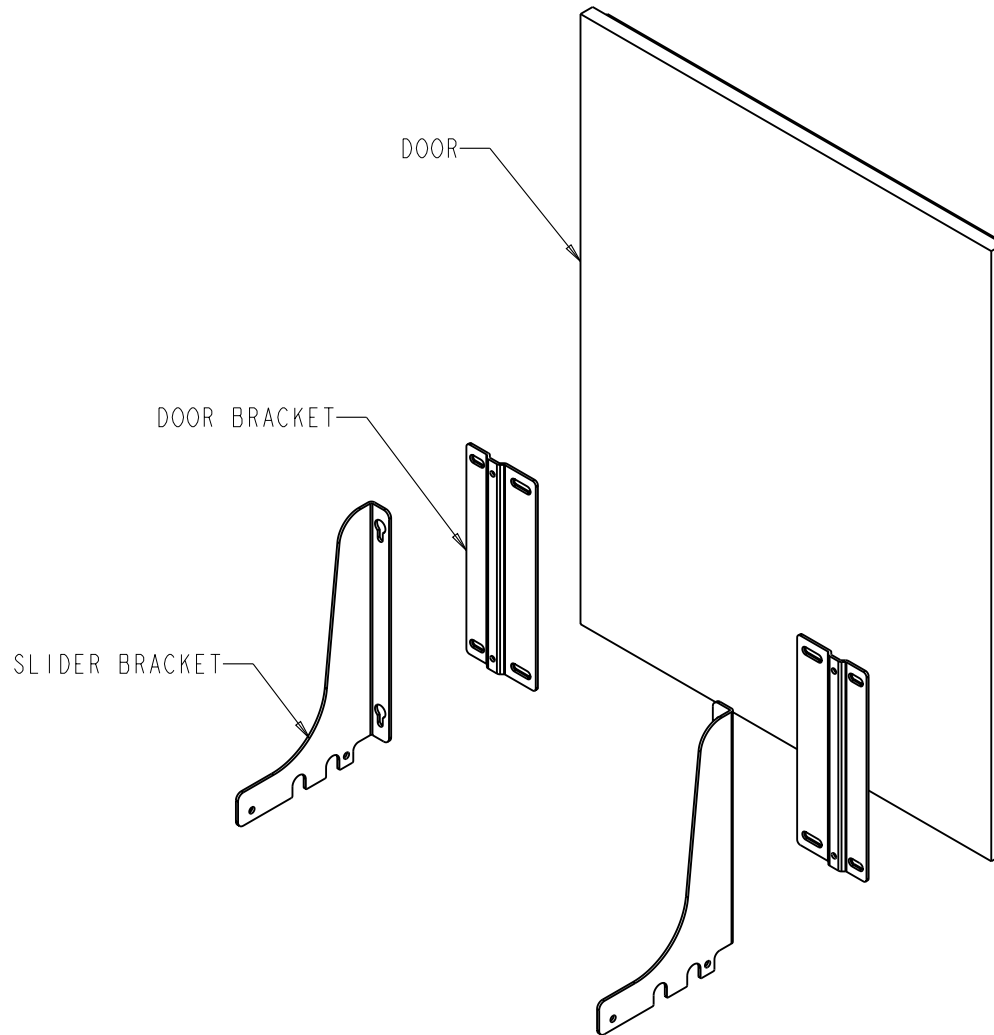


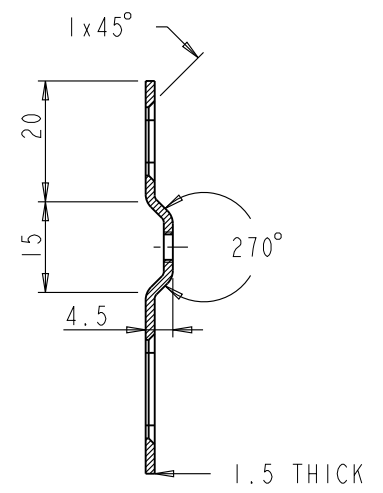
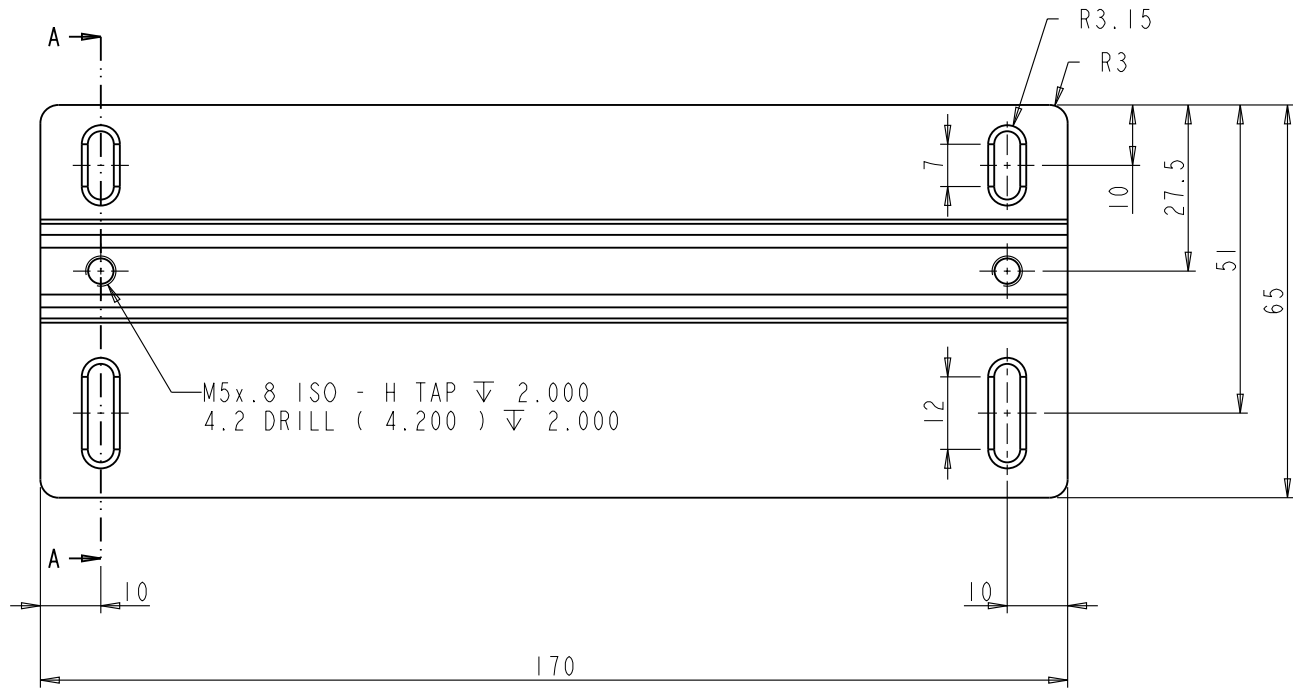
MOUNT PROCESS:



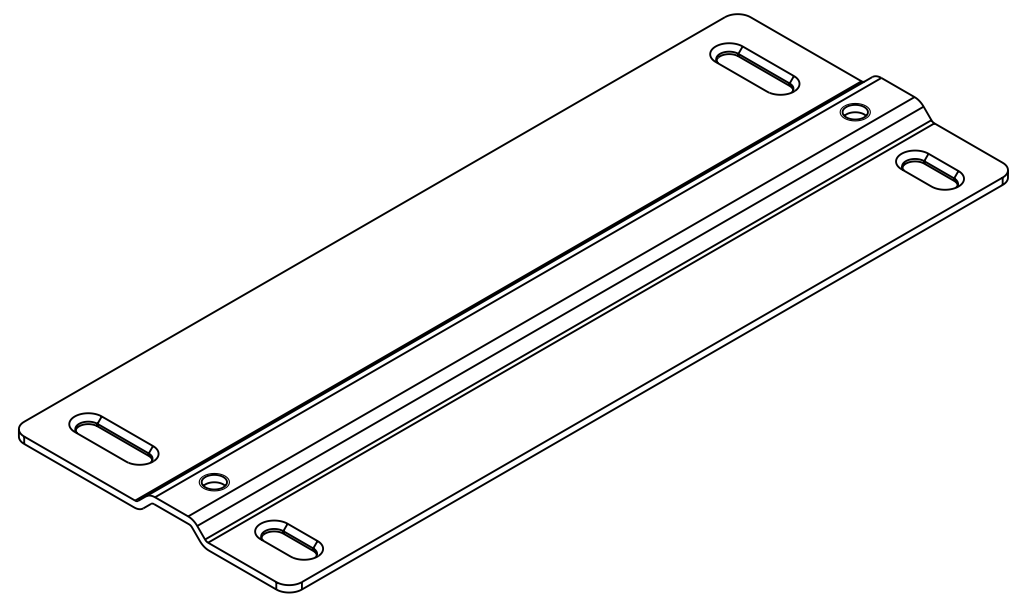
HARDWARE <b>HR</b> RESOURCES PROPRIETARY AND CONFIDENTIAL THE INFORMATION CONTAINED IN THIS DRAWING IS THE SOLE PROPERTY OF HARDWARE RESOURCES INC. ANY REPRODUCTION IN PART OR AS A WHOLE WITHOUT THE WRITTEN PERMISSION OF HARDWARE RESOURCES INC. IS PROHIBITED.	4319 HARLENA ST. BOSSIER CITY, LA71111	ITEM: ASSY	MATERIAL: WEIGHT: 9
	FINISH:	PROJECTION: 	UNIT: DRAWN BY: <i>alan.liu</i>
TOLERANCE UNLESS OTHERWISE SPECIFIED: X. MM ±0.20 X.X MM ±0.10 X.XX MM ±0.05 ANGULAR: ±0.5° DO NOT SCALE DRAWING	SIZE:	CHECKED BY:	DATE:
		APPROVED BY:	DATE:



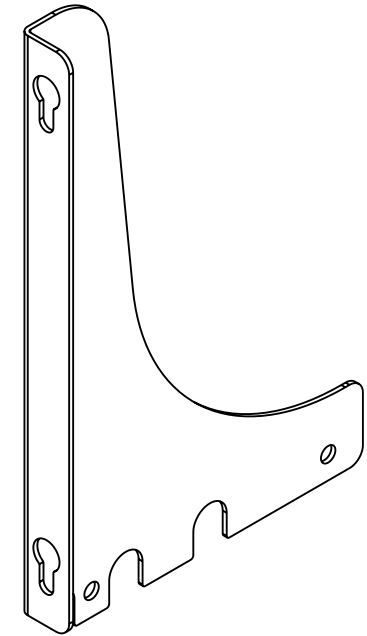
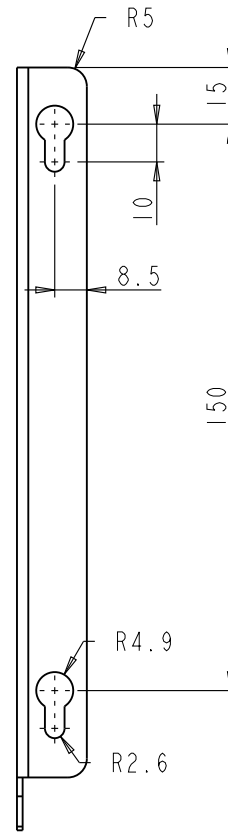
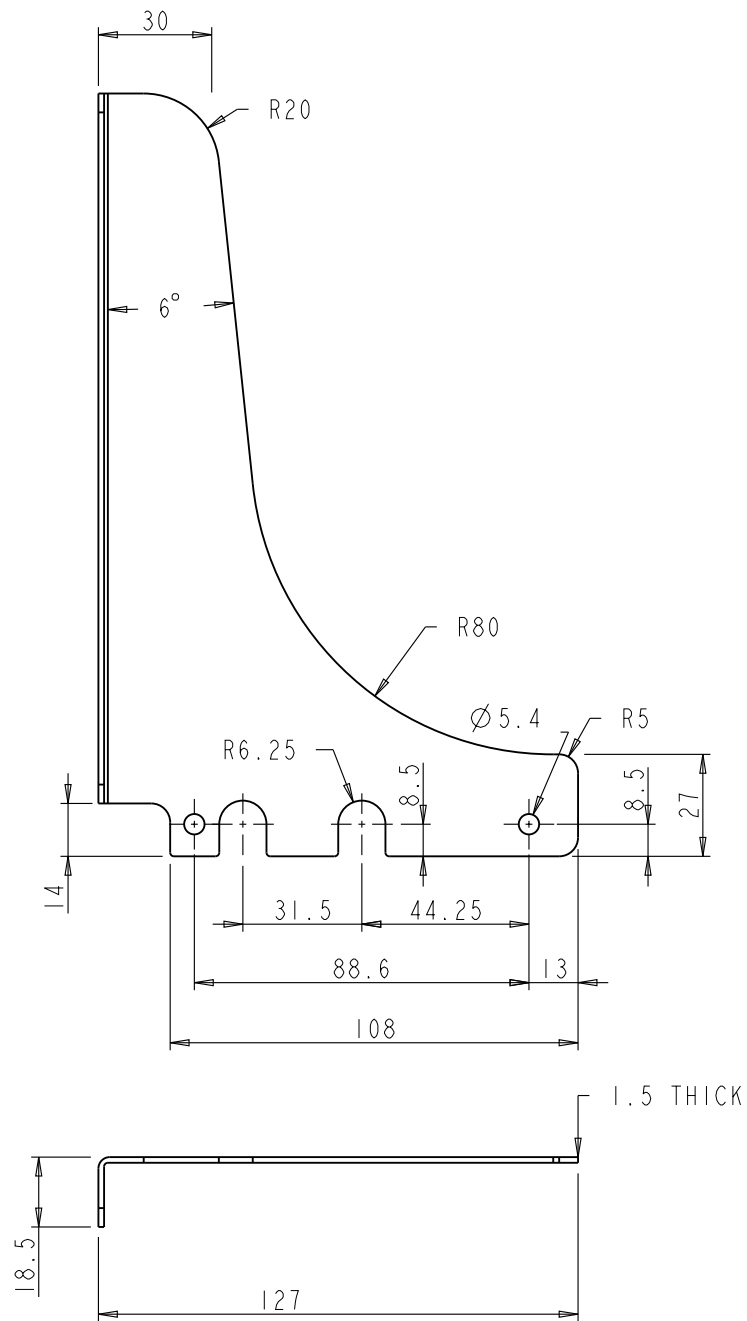
HARDWARE <b>HR</b> RESOURCES PROPRIETARY AND CONFIDENTIAL THE INFORMATION CONTAINED IN THIS DRAWING IS THE SOLE PROPERTY OF HARDWARE RESOURCES INC. ANY REPRODUCTION IN PART OR AS A WHOLE WITHOUT THE WRITTEN PERMISSION OF HARDWARE RESOURCES INC. IS PROHIBITED.	4319 MARLENA ST. BOSSIER CITY, LA71111	ITEM: ASSY	MATERIAL:
	FINISH:	WEIGHT:	9
TOLERANCE UNLESS OTHERWISE SPECIFIED: X: MM ±0.20 XX: MM ±0.10 XXX: MM ±0.05 ANGULAR: ±0.5° DO NOT SCALE DRAWING	UNIT:	DRAWN BY: <i>alan.liu</i>	DATE:
	SIZE:	CHECKED BY:	DATE:
		APPROVED BY:	DATE:



SECTION A-A



	ITEM: DOOR-BRACKET		MATERIAL: STEEL	
	FINISH:		WEIGHT: 173.5 g	
<b>PROPRIETARY AND CONFIDENTIAL</b> THE INFORMATION CONTAINED IN THIS DRAWING IS THE SOLE PROPERTY OF HARDWARE RESOURCES INC. ANY REPRODUCTION IN PART OR AS A WHOLE WITHOUT THE WRITTEN PERMISSION OF HARDWARE RESOURCES INC. IS PROHIBITED.	UNIT: MM		DRAWN BY: <i>alan.liu</i>	
	TOLERANCE UNLESS OTHERWISE SPECIFIED: X: MM $\pm$ 0.20 X.X: MM $\pm$ 0.10 X.XX: MM $\pm$ 0.05 ANGULAR: $\pm$ 0.5° DO NOT SCALE DRAWING		DATE:	
	SIZE:		CHECKED BY:	
	APPROVED BY:		DATE:	
PROJECTION:				



	ITEM:	SLIDER-BRACKET-R		MATERIAL:	STEEL
	FINISH:			WEIGHT:	198 g
<b>PROPRIETARY AND CONFIDENTIAL</b> THE INFORMATION CONTAINED IN THIS DRAWING IS THE SOLE PROPERTY OF HARDWARE RESOURCES INC. ANY REPRODUCTION IN PART OR AS A WHOLE WITHOUT THE WRITTEN PERMISSION OF HARDWARE RESOURCES INC. IS PROHIBITED.	TOLERANCE UNLESS OTHERWISE SPECIFIED:	UNIT:	DRAWN BY:	DATE:	
	X : MM $\pm 0.20$	MM	<i>alan.liu</i>	CHECKED BY:	DATE:
	X.X : MM $\pm 0.10$	SIZE:	APPROVED BY:	DATE:	
X.XX : MM $\pm 0.05$	ANGULAR:	$\pm 0.5^\circ$			
DO NOT SCALE DRAWING					