

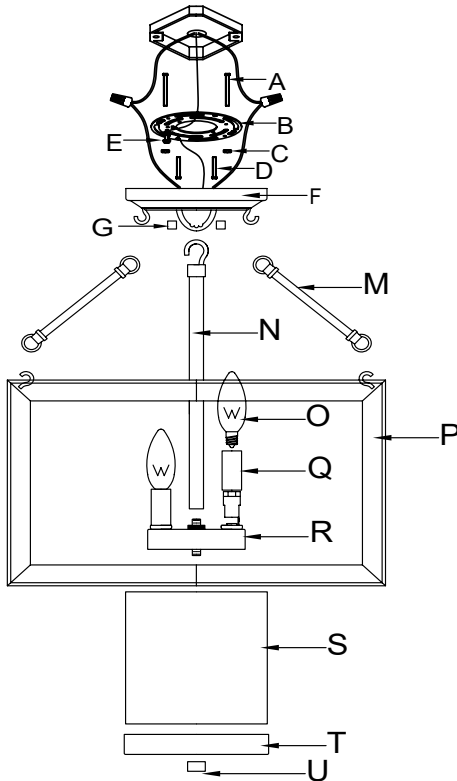
Assembly Instructions: 2073-SF (Smyth)

IMPORTANT:

- ALL INSTALLATION WORK SHOULD BE DONE BY ACCREDITED PROFESSIONAL.
- SHUT OFF POWER SUPPLY AT FUSE OR CIRCUIT BREAKER!
- USE ONLY THE SPECIFIED BULBS. DO NOT EXCEED THE MAXIMUM WATTAGE!

For Customer Service, contact the place of purchase.

FLUSH INSTALLATION



PREPARING FOR INSTALLATION

Remove all of the contents from the carton. See the important notes above. Remove the old fixture from the ceiling, including the old mounting strap.

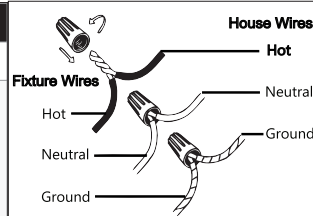
1. Take the mounting strap assembly from the parts bag. Mounting strap (B) contains threaded holes. Two of mounting screws (A) should be attached to mounting strap (B). You may need to tighten nuts (C) that hold these screws in place.
2. Place mounting strap (B) over the junction box so that mounting screws (A) are vertical, and in alignment with the hole locations on the fixture's canopy (F). Secure mounting strap (B) to the junction box with mounting screws (D) and a screwdriver. Tighten the screws securely.
3. Place the fixture's socket cluster (R) on a flat surface. Rod (N) is on the fixture's wires, but not attached to the body of the fixture. Pass the fixture's wires through rod (N) and pull the wires until taut.
4. Twist rod (N) onto the fixture's body until secure. Attach rods (M) to the hooks on the fixture's body.
5. Have an assistant hold the canopy above the fixture's body, then attach rod (N) to canopy (F). Attach rods (M) to the hooks on canopy (F). Push the wires through the center of canopy (F).

CONNECTING THE WIRES

6. Have an assistant support the fixture's weight while completing the wiring. Refer to the wiring diagram below and attach the fixture's wires to the power supply wires from the junction box. Connect Hot to Hot, Neutral to Neutral, and Ground to Ground. Twist the ends of the wire pairs together, and then twist on a wire connector. Make sure all twists are in the same direction. If there is no house ground wire coming from the junction box, locate ground screw (E) on the mounting bracket/mounting strap and wrap the fixture's ground wire around the ground screw. Use a screwdriver to tighten the top of ground screw (E) onto the wires and into the mounting bracket/mounting strap. Tuck the wires into the junction box.

How to Identify the Fixture's Wires

Hot	Neutral	Ground
Smooth	Ribbed	Bare Metal, Green, or Green Inner Thread
Black	White	
Black Inner Thread	White Inner Thread	



FINISHING THE INSTALLATION

7. Raise canopy (F) to the ceiling. Position mounting screws (A) so that they protrude through the openings of canopy (F). Secure canopy (F) in place with decorative nuts (G).
8. Slide candle sleeves (Q) over the sockets. Install light bulbs (O) (not included) in accordance with the fixture's specifications.
9. Place glass shade (S) onto bottom cap (T). Raise glass shade (S) and bottom cap (T) up beneath bottom assembly (R). Twist bottom finial (U) onto the threads of bottom assembly (R). Tighten securely.

Your installation is complete. Turn on the power and test the fixture.

CLEANING TIPS

Treat the fixture gently! Regular cleaning will reduce the need for deep cleaning. For regular cleaning, turn off the light and wipe down the fixture with a clean lint-free cotton or microfiber cloth. Never spray cleaner directly onto the fixture. For deep cleaning, turn off the light and remove the glass prior to cleaning. Hand wash glass with warm water and mild detergent. Dry with a lint-free or microfiber cloth.

Assembly Instructions: 2073-SF (Smyth)

IMPORTANT:

- ALL INSTALLATION WORK SHOULD BE DONE BY ACCREDITED PROFESSIONAL.
- SHUT OFF POWER SUPPLY AT FUSE OR CIRCUIT BREAKER!
- USE ONLY THE SPECIFIED BULBS. DO NOT EXCEED THE MAXIMUM WATTAGE!

For Customer Service, contact the place of purchase.

PENDANT INSTALLATION

PREPARING FOR INSTALLATION

Remove all of the contents from the carton. See the important notes above. Remove the old fixture from the ceiling, including the old mounting strap.

1. Take the mounting strap assembly from the parts bag. Mounting strap (B) contains threaded holes. Two of mounting screws (A) should be attached to mounting strap (B). You may need to tighten nuts (C) that hold these screws in place.

2. Place mounting strap (B) over the junction box so that mounting screws (A) are vertical, and in alignment with the hole locations on the fixture's canopy (F). Secure mounting strap (B) to the junction box with mounting screws (D) and a screwdriver. Tighten the screws securely.

3. Place the fixture's socket cluster (R) on a flat surface. Rod (N) is on the fixture's wires, but not attached to the body of the fixture. Pass the fixture's wires through rod (N) and pull the wires until taut.

4. By measuring, determine the correct number of chain links needed for proper hanging height. If necessary, use a pair of pliers to open and remove any excess chain. Attach one chain connector (K) to each end of chain (J). Use one of chain connectors (K) to attach chain (J) to top loop (L) and close the chain connector.

5. Have an assistant attach rods (M1) to the hooks on the fixture body then attach the hooks of rods (M1) to top loop (L). Hook the end of rod (N) onto top loop (L). Pull the wires through top loop (L). Feed the fixture's wires up through the chain (every three links or so), pulling the wires until taut. Slide canopy loop collar (H) and canopy (G) onto the chain/wires. Use the free chain connector (K) to attach chain (J) to canopy loop (H).

CONNECTING THE WIRES

6. Have an assistant support the fixture's weight while completing the wiring. Refer to the wiring diagram below and attach the fixture's wires to the power supply wires from the junction box. Connect Hot to Hot, Neutral to Neutral, and Ground to Ground. Twist the ends of the wire pairs together, and then twist on a wire connector. Make sure all twists are in the same direction. If there is no house ground wire coming from the junction box, locate ground screw (E) on the mounting bracket/mounting strap and wrap the fixture's ground wire around the ground screw. Use a screwdriver to tighten the top of ground screw (E) onto the wires and into the mounting bracket/mounting strap. Tuck the wires into the junction box.

FINISHING THE INSTALLATION

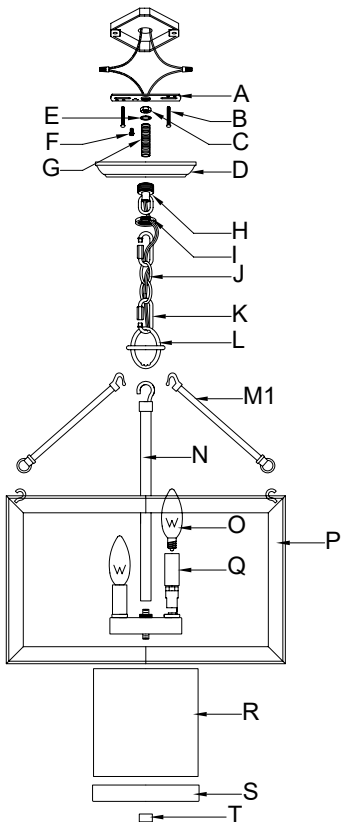
FINISHING THE INSTALLATION

7. Raise canopy (D) to the ceiling. Slide canopy loop (H) and canopy loop collar (I) up beneath the canopy. Tightly thread canopy loop collar (I) onto canopy loop (H) to secure canopy (G) in place.

8. Slide candle sleeves (Q) over the sockets. Install light bulbs (O) (not included) in accordance with the fixture's specifications.

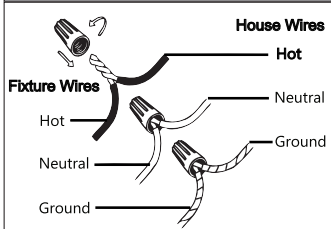
9. Place glass shade (R) onto bottom cap (S). Raise glass shade (R) and bottom cap (S) up beneath the light source. Twist bottom finial (T) onto the threads at the bottom of the light source. Tighten securely.

Your installation is complete. Turn on the power and test the fixture.



How to Identify the Fixture's Wires

Hot	Neutral	Ground
Smooth	Ribbed	Bare Metal, Green, or Green Inner Thread
Black	White	
Black Inner Thread	White Inner Thread	



CLEANING TIPS

Treat the fixture gently! Regular cleaning will reduce the need for deep cleaning. For regular cleaning, turn off the light and wipe down the fixture with a clean lint-free cotton or microfiber cloth. Never spray cleaner directly onto the fixture. For deep cleaning, turn off the light and remove the glass prior to cleaning. Hand wash glass with warm water and mild detergent. Dry with a lint-free or microfiber cloth.