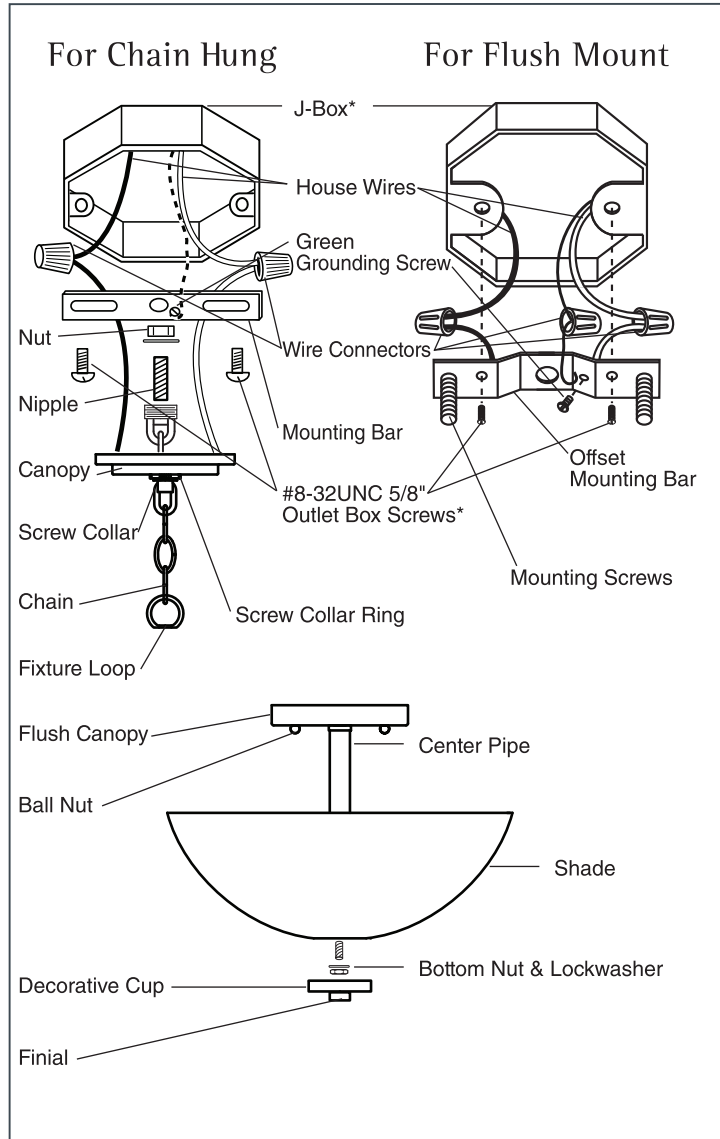


# Convertible Semi-Flush Mount

1.0

GENERATION LIGHTING  
CEILING

SAVE THESE INSTRUCTIONS!



## IMPORTANT SAFETY INSTRUCTIONS

- Be sure the electricity to the system you are working on is turned off; either the fuse removed or the circuit breaker set at off.
- Use of other manufacturers components will void warranty, listing and create a potential safety hazard.
- If you are unclear as to how to proceed, contact a qualified electrician.
- You don't need special tools to install this fixture.
- Be sure to follow the steps in the order given.
- Under no circumstances should a fixture be hung on house electrical wires, nor should a swag type fixture be installed on a ceiling which contains a radiant type heating system.
- Read instructions carefully.

### CAUTION - RISK OF FIRE

This product must be installed in accordance with the applicable installation code by a person familiar with the construction and operation of the product and the hazards involved.

Use minimum 90°C supply conductors.

### Before You Begin

Carefully remove the fixture from the carton and check that all parts are included, as shown in figure 1. Be careful not to misplace any of the screws or parts which are needed to install this fixture. **NOTE: This fixture may be installed either flush mount or chain-hung. Follow the steps for the mounting method you have chosen.**

### Installation

Important: do not attach fixture directly to outlet box.

#### For Chain Hung

1. Apply gentle tension to fixture wires. Thread fixture loop to top of fixture.
2. Secure mounting bar to outlet box with #8-32UNC 5/8" outlet box screws (not supplied). Thread nut on nipple so that 5 threads are exposed above nut. Thread nipple into mounting bar and secure with nut. Attach screw collar to nipple.
3. Using 2 pairs of pliers or chain breaks, open one link of chain and connect it to the fixture loop at the top of the fixture. Slide collar ring and canopy to top of fixture.
4. Open one link on the other end of the chain and attach it to the screw collar. Close all links of chain securely.

#### For Flush Mount

1. Remove fixture loop from fixture.
2. Unthread ball from flush canopy. Unthread ballnuts from flush canopy. Discard screws.
3. Run screws all the way down to the heads. Secure offset mounting bar to outlet box using #8-32UNC 5/8" outlet box screws (not supplied). Make sure head of green grounding screw is facing the floor. Secure fixture canopy with lockwasher and hexnut.

### Wiring

4. A. Use one of the supplied orange wirenuts to connect the fixture hot wire (black wire, or round and smooth tracer) to the supply hot wire.  
B. Use one of the supplied orange wirenuts to connect the fixture common wire (white wire, or square and rigid) to the supply common wire.  
C. Gently try to remove the wires from the connector. If you can remove the wires, carefully re-do the wiring connection.
5. **Grounding Instructions:** Connect the supply ground wire (green or bare conductor) and fixture ground wire (green or bare conductor) using the remaining orange wire nut. Gently pull on the ground wires to confirm a secure connection. If either conductor is loose remove the wire nut and reconnect the wires.

### Final Assembly

Make sure no bare wires can be seen outside wire connectors.

#### For Flush Mount

1. After wires are connected, tuck them carefully inside outlet box. Raise the fixture flush canopy to the ceiling and thread ball nuts to fixture mounting screws to secure.

#### For Chain Hung

1. After wires are connected, tuck them carefully inside outlet box. Raise canopy against ceiling and thread the screw collar ring to the screw collar.

### Shade Installation

1. Install lamps (not included).
2. Raise shade onto threaded part of the bottom of the center pipe. Secure by threading washer and hex nut, to bottom of center pipe. Raise decorative cup to diffuser and thread finial to bottom of center pipe to secure.

GENERATION LIGHTING  
7400 Linder Ave., Skokie, IL 60077  
T 847.410.4400 | F 847.410.4500  
www.generationlighting.com