

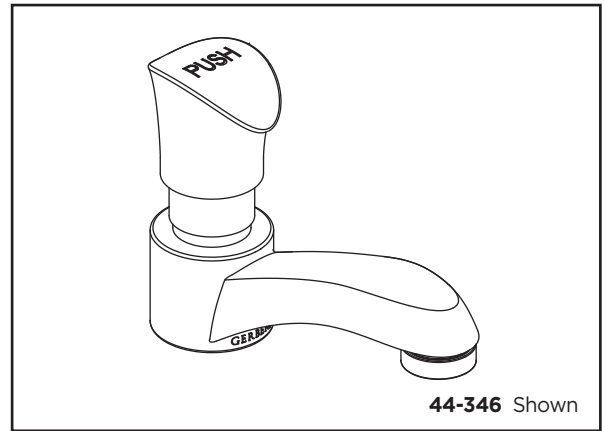


## Single Handle Metering Faucet



### Features:

- Chrome plated solid brass construction
- Optional 4" centers deck plate, P/N 44-347 available
- ADA compliant handle
- Concealed Vandal Resistant Screw
- Adjustable slow self closing from 10 to 30 seconds
- Vandal resistant aerator, pressure compensating between 20 psi and 80 psi
- 1/2" IPS Supply Shank
- Run time preset to 10 seconds
- 0.25 gallon max per cycle
- Optional 1.0 gpm and 0.5 gpm aerator for low flow applications
- Meets CEC requirements



### Technical Specifications:

- ASME A112.18.1M
- ANSI A117.1
- IAPMO/UPC

### Catalog Numbers:

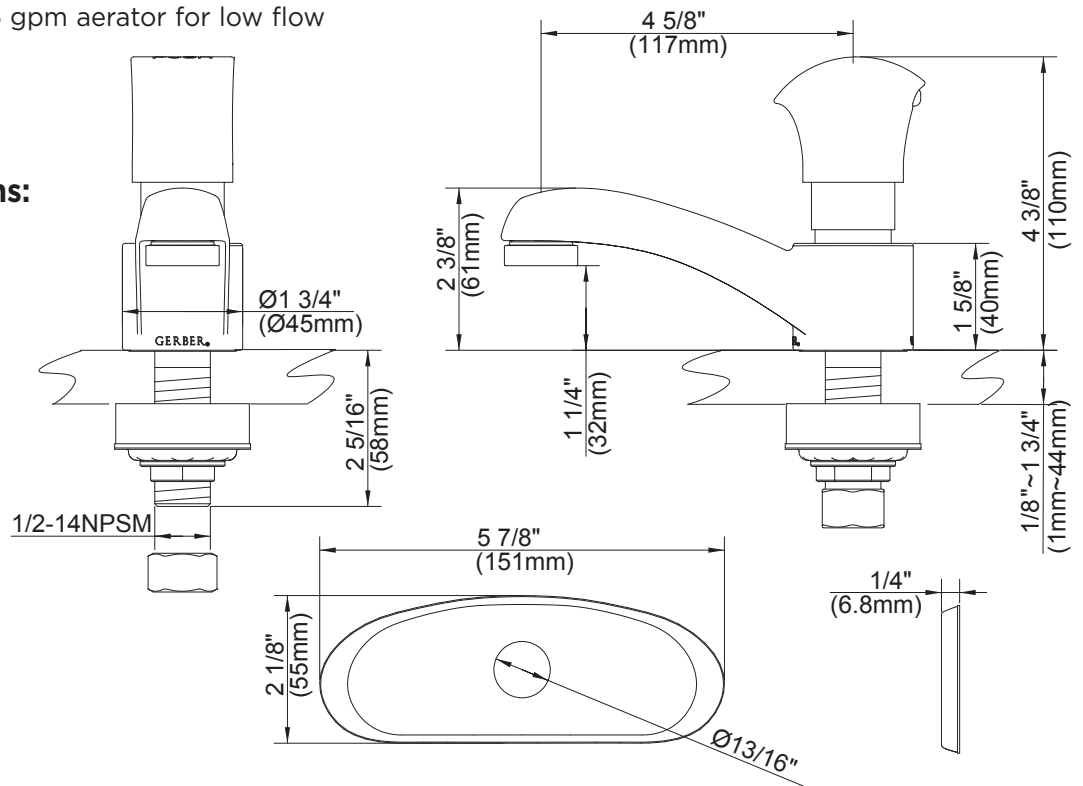
**44-346** Chrome

### Prefixes Available:

None

### Suffixes Available:

None



Job Name	
Date	
Model Specified	
Quantity	
Customer	
Contractor	
Architect/engineer	

Gerber Toll Free Technical Support: 888-648-6466  
www.gerberonline.com