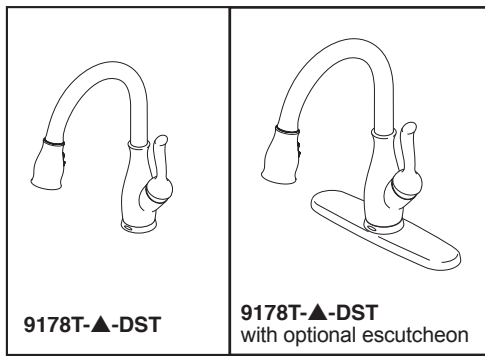




see what Delta can do™

## KITCHEN FAUCETS

- Leland® Collection
- Single Handle Pull-Down



Submitted Model No.: \_\_\_\_\_  
 Specific Features: \_\_\_\_\_

### FEATURES:

- Touch<sub>2</sub>O® Technology
- DIAMOND Seal® Technology
- MagnaTite® Magnetic Docking
- Touch-Clean® Sprayhead
- ShieldSpray™ Technology

### STANDARD SPECIFICATIONS:

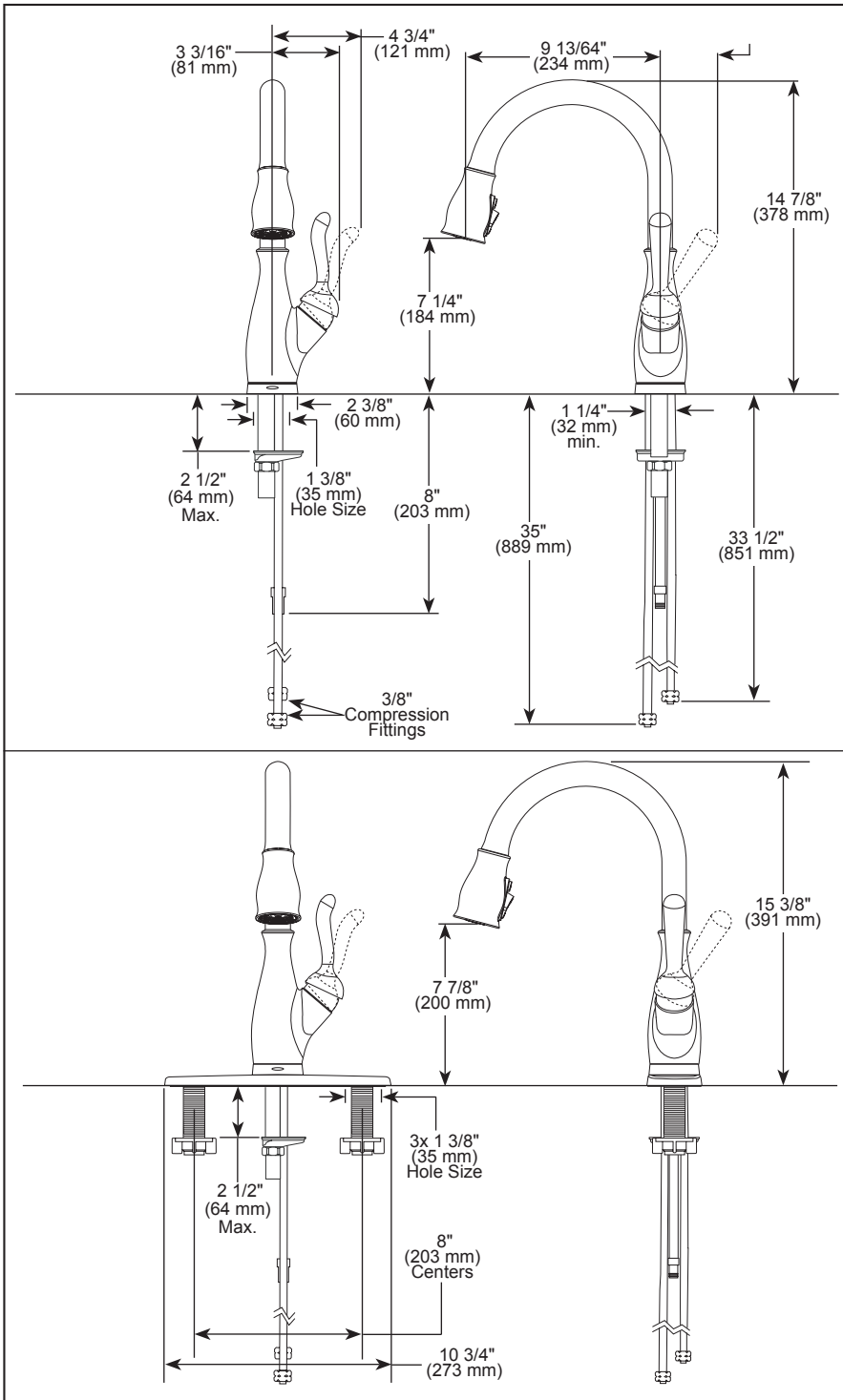
- Maximum 1.8 gpm @ 60 psi, 6.8 L/min @ 414 kPa
- One or three hole mount (escutcheon optional, included)
- Diamond coated ceramic cartridge
- 3/8" O.D. straight, staggered PEX supply tubes
- Spout rotates 360°
- Red/blue indicator markings
- Three-function wand: aerated stream, spray or ShieldSpray
- Dual integral double check valves in sprayer
- LED indicator light signals on-off, water temperature and when batteries run low.
- Uses 6 AA batteries (included) or 6 C batteries (not included).

### WARRANTY

- Parts and Finish - Lifetime limited warranty; or for commercial purchasers, 10 years for multi-family residential (apartments and condominiums) and 5 years for all other commercial uses, in each case from the date of purchase.
- Electronic Parts and Batteries (if applicable) - 5 years from the date of purchase; or for commercial purchasers, 1 year from the date of purchase. No warranty is provided on batteries.

### COMPLIES WITH:

- ASME A112.18.1 / CSA B125.1
- ASME A112.18.6
- ♿ Indicates compliance to ICC/ANSI A117.1 - Valve control only



Delta reserves the right (1) to make changes in specifications and materials, and (2) to change or discontinue models, both without notice or obligation. Dimensions are for reference only. See current full-line price book or [www.deltafaucet.com](http://www.deltafaucet.com) for finish options and product availability.

DSP-K-9178T-DST Rev. D

### Delta Faucet Company

55 E. 111th Street, Indianapolis, IN 46280  
 350 South Edgevare Road, St. Thomas, ON N5P 4L1  
 © 2022 Delta Faucet Company