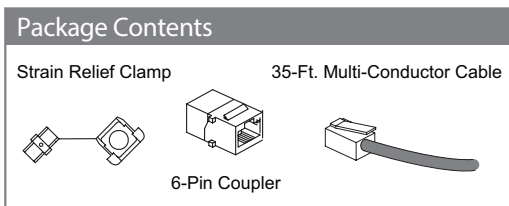
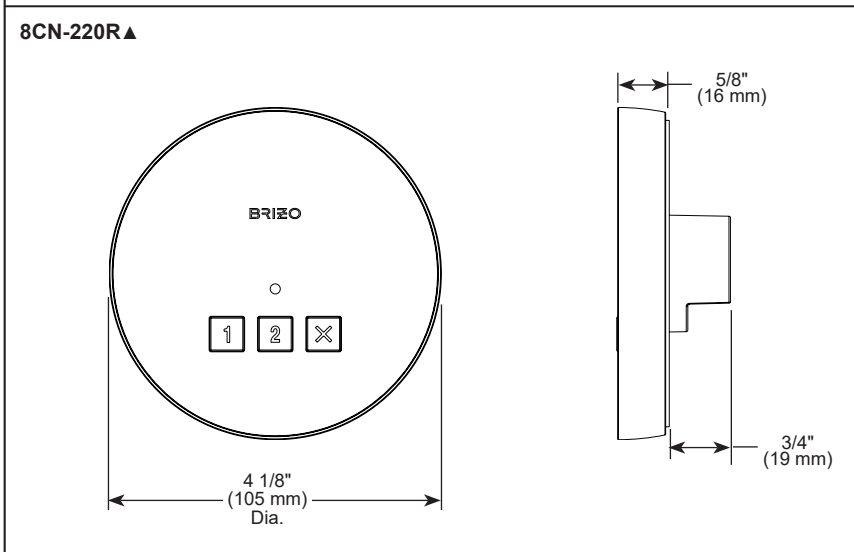
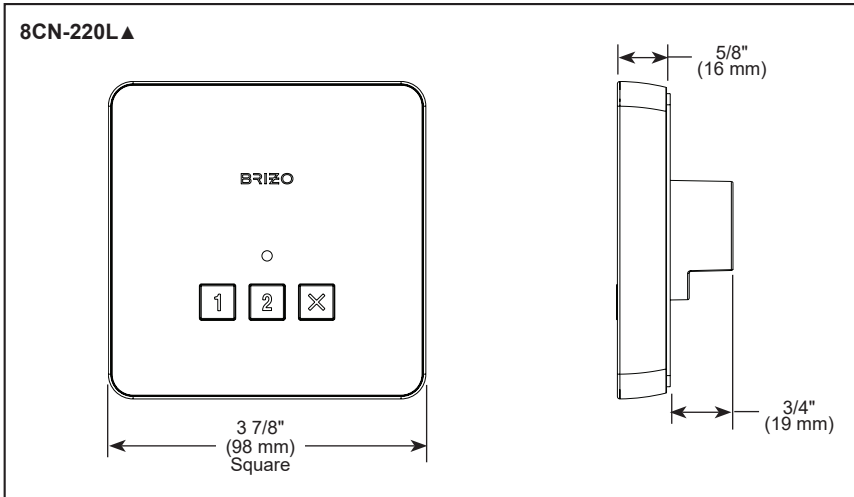
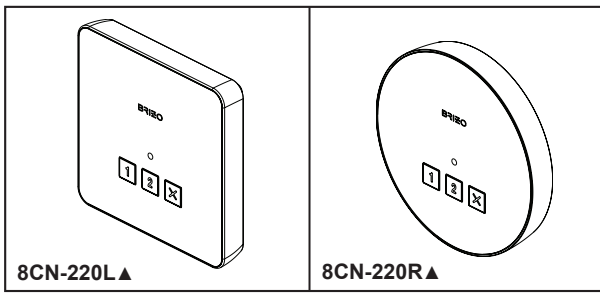


BRIZO®

AUXILIARY EXTERIOR CONTROL W/LED INDICATOR

- Linear Square (8CN-220L)
- Contemporary Round (8CN-220R)



▲ Designate Proper Finish Suffix

STANDARD SPECIFICATIONS:

- Surface Mount - 1 1/2" hole required
- Mounts on outside of the steam room and MUST be used with interior interfaces 8CB-250 or 8CH-250
- Control should be mounted 48" above the floor
- Required Electrical Service: Low-voltage connection from 8GE-TSG steam generator via multi-conductor cable (included)

WARRANTY

- Please see separate warranty documentation