

GABRIEL 4" CENTERSET LAVATORY FAUCET

Cat. No.
LFC200-ML



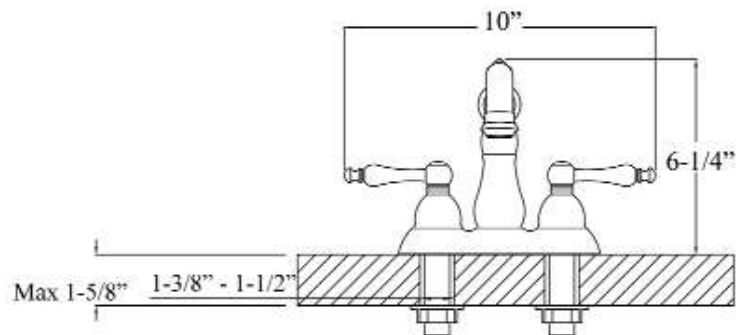
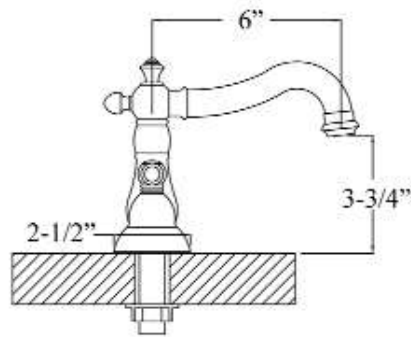
Spout Reach: 6"
Height: 6-1/4"

Features:

- ▶ Constructed of solid brass
- ▶ Swivel spout
- ▶ Metal lever handles
- ▶ Compact 4" centerset design
- ▶ Drain not included
- ▶ Height to spout 3-3/4"
- ▶ Ceramic disc cartridges
- ▶ Flow rate is 1.2 GPM at 60 psi
- ▶ cUPC/NSF/AB1953 Certified

Finishes:

- CP** Polished Chrome
BN Brushed Nickel
ORB Oil Rubbed Bronze



Dimensions of fixture are nominal and may vary. Dimensions and specifications subject to change without notice.