

CARLOS 16" ABOVE COUNTER BASIN

Cat. No
4-438



W: 16-3/8"
D: 16-1/2"
H: 5-1/8"

Features:

- ▶ Square above counter basin
- ▶ Vitreous china for durability
- ▶ No overflow
- ▶ Drain not provided
- ▶ Can be used with grid drain #5601 or umbrella drain # UD701 (Not included)

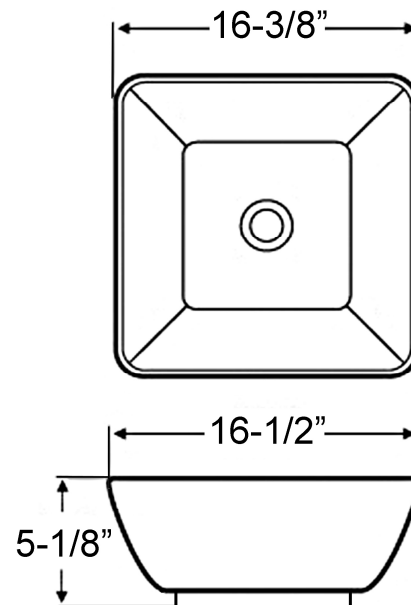
Colors:
WH White

Compliance Certification
Meets or exceeds the following specifications: ASME A112.19.2 2013 and CSA B45.1-13 for ceramic plumbing fixtures.

***Please do NOT drill hole without template or actual product.**

Interior Dimensions:

Basin Interior: 15-1/2" x 15-1/4"
Basin Depth: 4"



Dimensions of fixture are nominal and may vary within the range of tolerances established by AMSE Standard A112.19.2.2013 Dimensions and specifications subject to change without notice.