

# ENSAL PEDESTAL LAVATORY

CAT. NO  
3-912X



Faucet not included



Mounting hardware

W: 30"  
D: 21-<sup>3</sup>/<sub>4</sub>"  
H: 35-<sup>5</sup>/<sub>8</sub>"

Column: 26-<sup>1</sup>/<sub>4</sub>" x 11-<sup>1</sup>/<sub>2</sub>" x 12-<sup>1</sup>/<sub>2</sub>"  
Water depth 5-<sup>1</sup>/<sub>2</sub>" to overflow

## Interior Dimensions:

Basin interior:	20" x 13 <sup>1</sup> / <sub>4</sub> "
Basin depth:	10- <sup>5</sup> / <sub>8</sub> "
Faucet and spout holes:	1- <sup>1</sup> / <sub>2</sub> " & 2"
Back of basin to center of faucet:	2- <sup>5</sup> / <sub>8</sub> "
Back of basin to center of drain:	9- <sup>1</sup> / <sub>8</sub> "
Mount bolts height:	30- <sup>7</sup> / <sub>8</sub> "
Mount holes cc:	7- <sup>1</sup> / <sub>2</sub> "

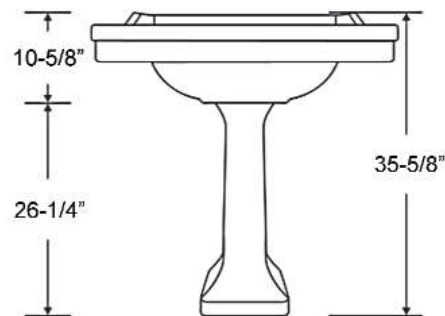
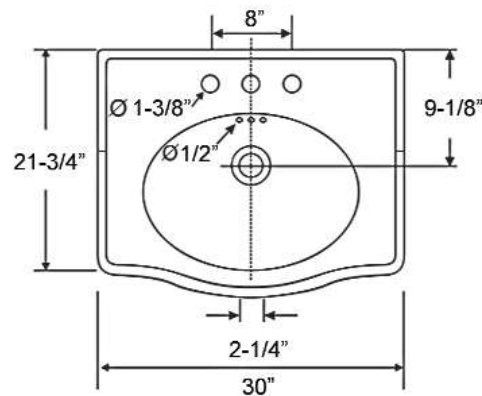
## Features:

- ▶ Made of Vitreous China
- ▶ Available pre-drilled for single hole (3-9121), 4" centerset (3-9124), or 8" widespread faucet (3-9128)
- ▶ Overflow
- ▶ Mounting hardware included
- ▶ cUPC approved



**Colors:**  
WH White

**Meets or exceeds** the following specifications: ASME A112.19.2 2018 and CSA B45.1-18 for ceramic plumbing fixtures.



Dimensions of fixture are nominal and may vary within the range of tolerances established by ASME Standard A112.19.2. Dimensions and specifications subject to change without notice.